

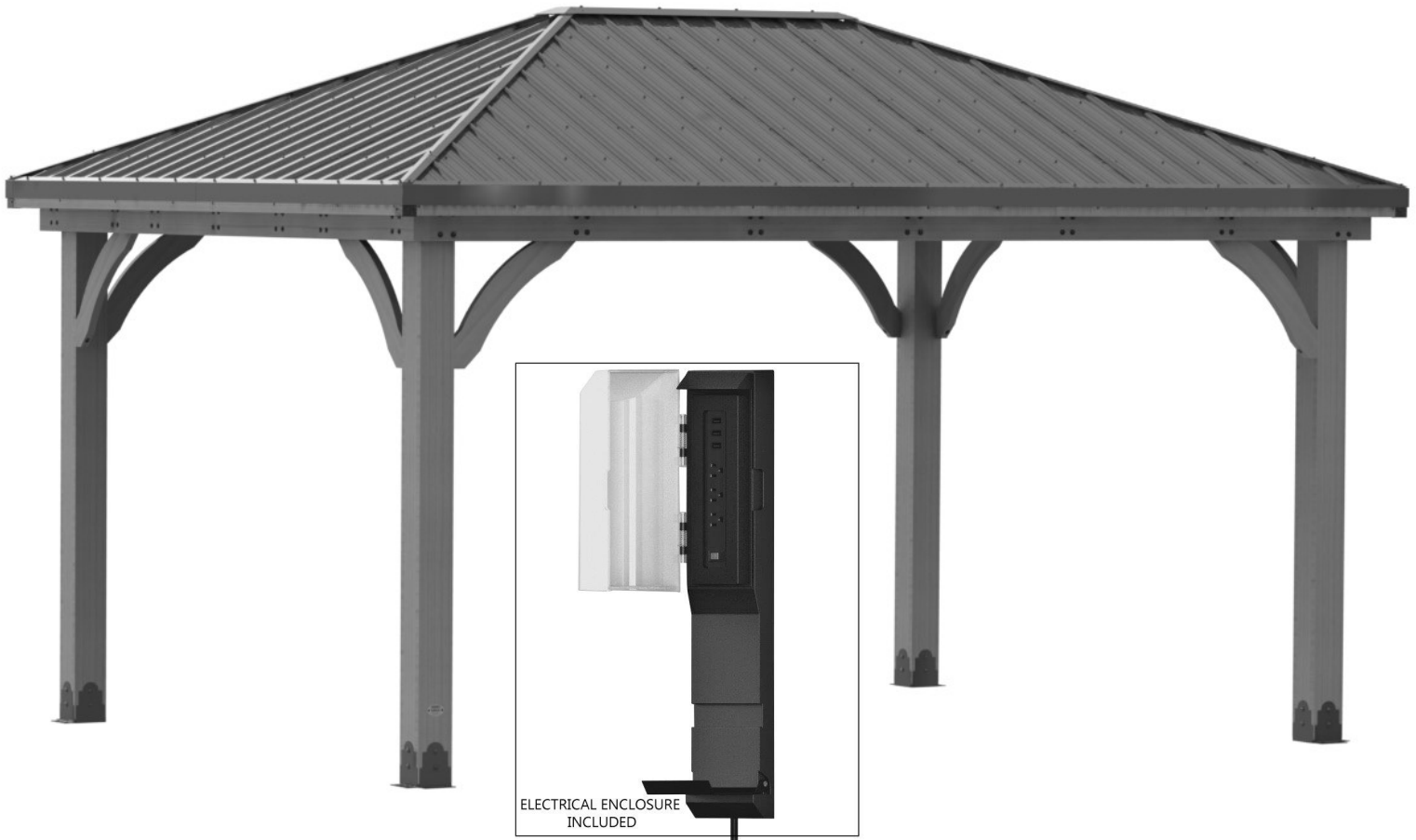


Manufactured by:
 Backyard Discovery
 3305 Airport Drive, Pittsburg, KS 66762
 800-856-4445

Basepoint Business Centre: Rivermead Drive, Westlea, Swindon SN5 7EX Phone: 0800-118-2476 J.P. Coenstraat 7, The Bridge, The Hague, 2595 WP, Netherlands
 Phone: 08005678990

16x12 Barrington Gazebo

MODEL # : 2206052



Please visit www.backyarddiscovery.com
 For the most up to date assembly manual, to register your product, or to order replacement parts *Para obtener instrucciones en español, visite* www.backyarddiscovery.com



EASY STEP-BY-STEP
 3D INTERACTIVE INSTRUCTIONS
 DOWNLOAD THE FREE APP



INSTALLATION
 SERVICES
 AVAILABLE!
See inside for details

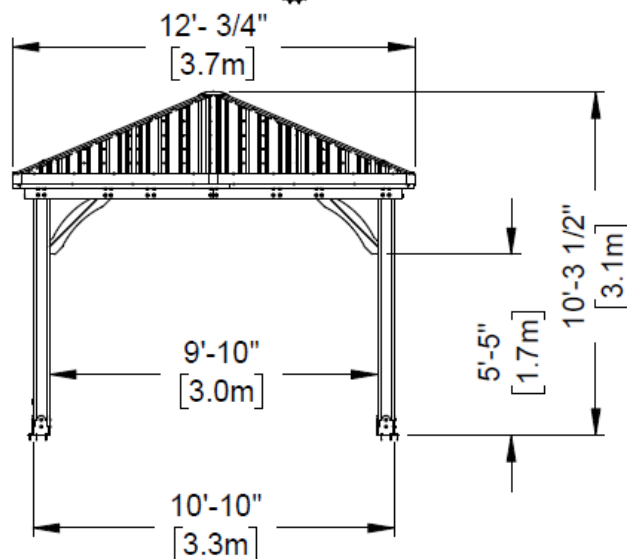
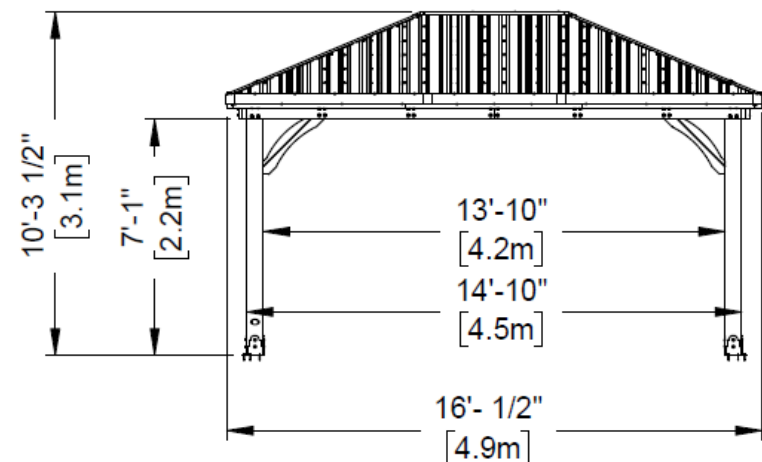
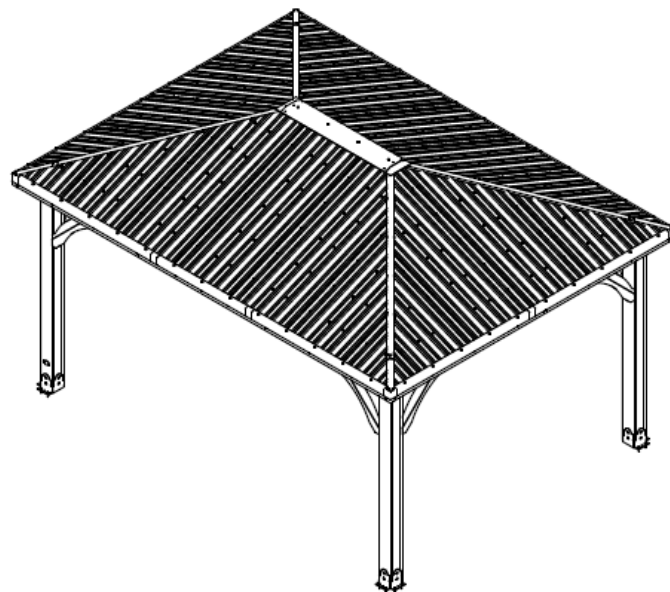
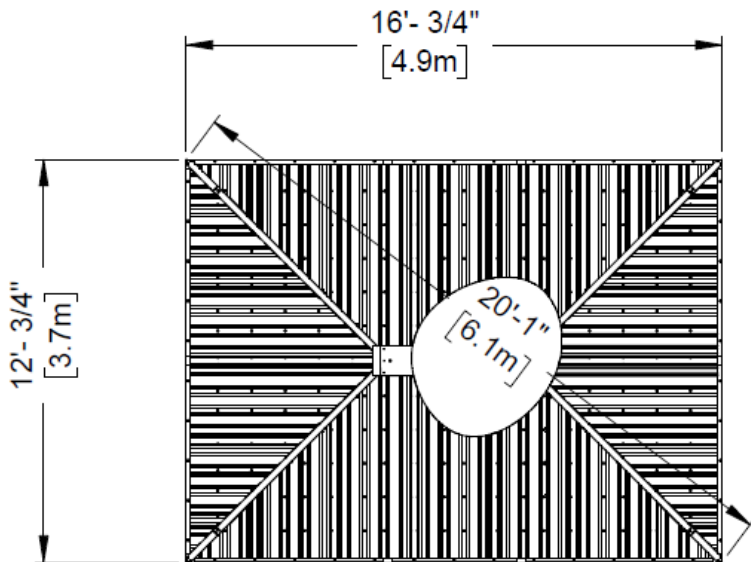
OWNER'S MANUAL - BASIC SETUP DIMENSIONS & ASSEMBLY NOTES

It is critically important that you start with square and level footings, concrete pad or deck to attach your structure

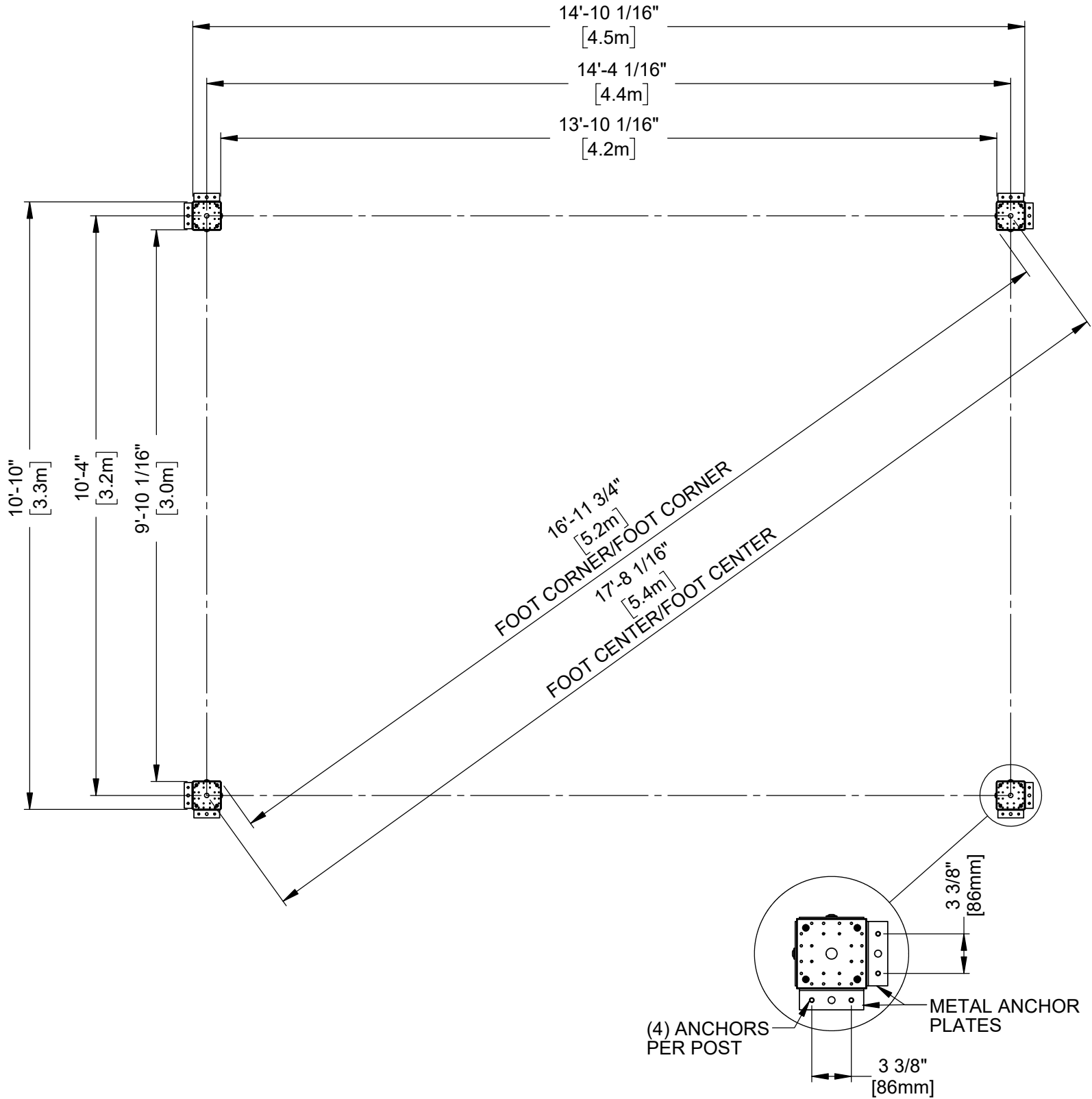
- Pay close attention to the items needed for each step. Make sure you are using the correct hardware for each step. Using incorrect hardware may result in improper assembly
- Remember to double check for underground utilities and overhead electrical lines

Post mounts are provided with your structure which allows you to permanently install your structure to a pre-existing or new wood or concrete surface. See Anchor Instructions for further details and recommendations.

- The hardware to attach the post mounts to the structure is included.
- The hardware to mount the structure permanently to a concrete surface is included.
- The hardware to mount the structure permanently to a wood deck is NOT included and will need to be purchased separately. You must ensure there is ample structural support under the deck before permanently attaching.



OWNER'S MANUAL - ANCHORING LAYOUT



OWNER'S MANUAL - PARTS IDENTIFICATION

Wood Components (Not to Scale)



H01 | ROOF SUPPORT- W4L15194
(4) | 1"x3 3/8"x54 1/8" (24x86x1374)



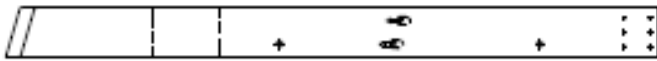
H02 | ROOF JOIST- W4L15289
(2) | 1"x3 3/8"x61 1/4" (24x86x1556)



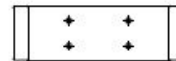
H03 | ROOF JOIST - W4L15288
(2) | 1"x3 3/8"x46 7/8" (24x86x1556)



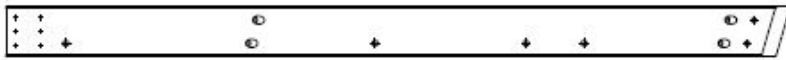
H04 | ROOF SUPPORT - W4L15314
(4) | 1"x3 3/8"x38 13/16" (24x86x986)



H05 | ROOF JOIST - W4L15293
(2) | 1"x3 3/8"x44 1/2" (24x86x1130)



H06 | ROOF JOIST - W4L15203
(2) | 1"x3 3/8"x10 11/16" (24x86x272)



H07 | ROOF JOIST - W4L15315
(2) | 1"x3 3/8"x53 3/16" (24x86x1351)



H08 | ROOF JOIST - W4L15316
(2) | 1"x3 3/8"x53 3/16" (24x86x1351)



H09 | ROOF JOIST- W4L15297
(2) | 1"x3 3/8"x61 1/4" (24x86x1556)



H10 | ROOF JOIST- W4L15298
(2) | 1"x3 3/8"x44 1/2" (24x86x1130)



H11 | ROOF JOIST- W4L15216
(2) | 1"x3 3/8"x44 1/2" (24x86x1130)



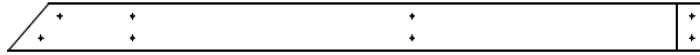
H12 | ROOF JOIST- W4L15220
(2) | 1"x3 3/8"x44 1/2" (24x86x1130)

OWNER'S MANUAL - PARTS IDENTIFICATION

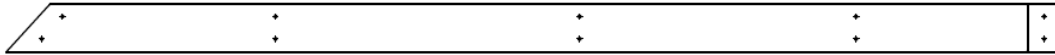
Wood Components (Not to Scale)



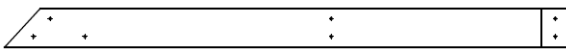
H13 | PURLIN - W4L15302
(2) | 1"x3 3/8"x68 1/2" (24x86x1740)



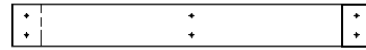
H14 | PURLIN - W4L15303
(4) | 1"x3 3/8"x54 1/8" (24x86x1374)



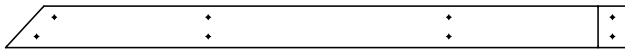
H15 | PURLIN - W4L15304
(4) | 1"x3 3/8"x75 1/16" (24x86x1906)



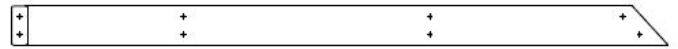
H16 | PURLIN - W4L15305
(4) | 1"x3 3/8"x49 9/16" (24x86x1259)



H17 | PURLIN - W4L15306
(2) | 1"x1 3/8"x29 1/8" (24x86x740)



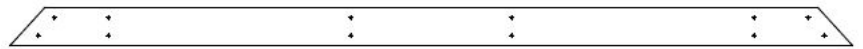
H18 | PURLIN - W4L15307
(4) | 1"x3 3/8"x50 13/16" (24x86x1291)



H19 | PURLIN - W4L15228
(2) | 1"x3 3/8"x58 5/16" (24x86x1481)



H20 | PURLIN - W4L15229
(2) | 1"x3 3/8"x43 7/8" (24x86x1114)



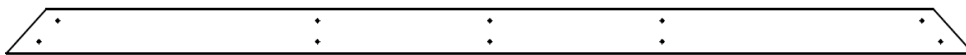
H21 | PURLIN - W4L15230
(2) | 1"x3 3/8"x75 11/16" (24x86x1922)



H22 | PURLIN - W4L15231
(2) | 1"x3 3/8"x51 7/16" (24x86x1307)



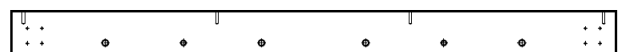
H24 | PURLIN W4L15232
(2) | 1"x3 3/8"x27 1/4" (24x86x692)



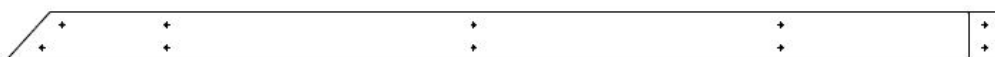
H25 | PURLIN - W4L15308
(2) | 1"x3 3/8"x75 1/16" (24x86x1907)



H27 | PURLIN - W4L15237
(2) | 1"x3 3/8"x56" (24x86x1422)



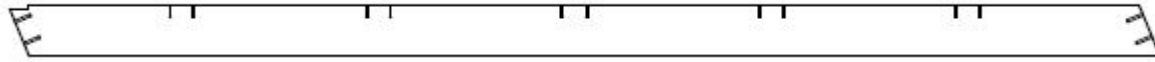
H29 | ROOF SUPPORT - W4L15286
(1) | 1"x3 3/8"x48" (24x86x1219)



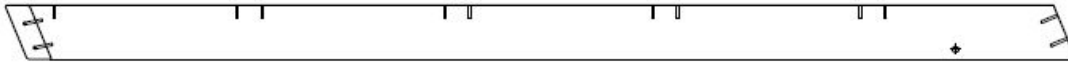
H28 | PURLIN - W4L15238
(2) | 1"x3 3/8"x70 1/2" (24x86x1791)

OWNER'S MANUAL - PARTS IDENTIFICATION

Wood Components (Not to Scale)



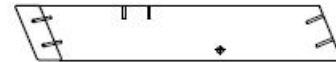
E01 | RAFTER- W4L15312
(4) | 1 3/8"x3 3/8"x76 11/16" (36x86x1948)



E02 | RAFTER- W4L15290
(2) | 1 3/8"x3 3/8"x67 1/8" (36x86x1705)



E03 | RAFTER- W4L15291
(2) | 1 3/8"x3 3/8"x43 5/8" (36x86x1109)



E04 | RAFTER- W4L15292
(2) | 1 3/8"x3 3/8"x20 3/16" (36x86x512)



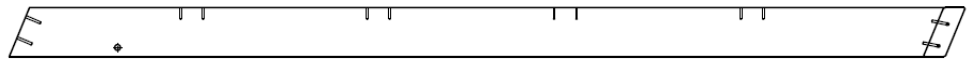
E05 | RAFTER - W4L15207
(2) | 1 3/8"x3 3/8"x69" (36x86x1752)



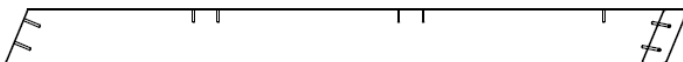
E06 | RAFTER - W4L15208
(2) | 1 3/8"x3 3/8"x45 7/16" (36x86x1155)



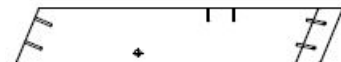
E07 | RAFTER- W4L15209
(2) | 1 3/8"x3 3/8"x21 15/16" (36x86x557)



E08 | RAFTER - W4L15294
(2) | 1 3/8"x3 3/8"x67 1/8" (36x86x1705)



E09 | RAFTER - W4L15295
(2) | 1 3/8"x3 3/8"x43 5/8" (36x86x1109)



E10 | RAFTER- W4L15296
(2) | 1 3/8"x3 3/8"x20 3/16" (36x86x512)



E11 | RAFTER- W4L15217
(2) | 1 3/8"x3 3/8"x69" (36x86x1752)



E12 | RAFTER W4L15218
(2) | 1 3/8"x3 3/8"x45 7/16" (36x86x1155)



E13 | RAFTER- W4L15219
(2) | 1 3/8"x3 3/8"x21 15/16" (36x86x557)



E14 | RAFTER- W4L15299
(2) | 1 3/8"x3 3/8"x76 11/16" (36x86x1948)

OWNER'S MANUAL - PARTS IDENTIFICATION

Wood Components (Not to Scale)



C01 | CORBEL - W2A03198
(7) | 1 3/8"x6 7/16"x36 1/4 (36x163x921)



C02 | CORBEL W/TAG - W2A03199
(1) | 1 3/8"x6 7/16"x36 1/4 (36x163x921)



G01 | COVER BOARD - W4L15313
(2) | 1 "x5 1/4"x89 1/2" (24x134x2274)



D02 | BEAM - W4L15284
(4) | 1 3/8"x5 1/4"x89" (36x134x2261)



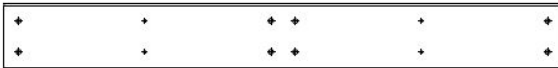
D01 | BEAM - W4L15192
(4) | 1 3/8"x5 1/4"x45 3/16" (36x134x1148)



D03 | BEAM - W4L15283
(2) | 1 3/8"x5 1/4"x59 15/16" (36x134x1522)



D04 | BEAM - W4L15282
(4) | 1 3/8"x5 1/4"x59 1/16" (36x134x1500)



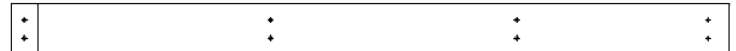
D05 | BEAM - W4L15240
(2) | 1 3/8"x5 1/4"x45 1/4" (36x134x1150)



D06 | BEAM - W4L15241
(4) | 1 3/8"x5 1/4"x67 13/16" (36x134x1723)



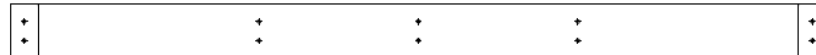
Q01 | ROOF JOIST - W4L15204
(2) | 1"x4 7/16"x65 15/16" (24x112x1675)



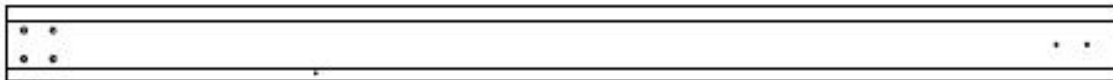
Q02 | ROOF JOIST - W4L15300
(4) | 1"x4 7/16"x63 13/16" (24x112x1605)



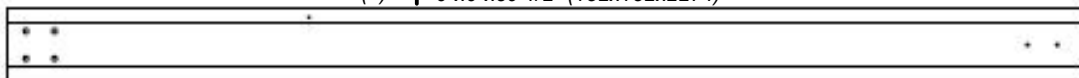
Q03 | ROOF JOIST - W4L15221
(2) | 1"x4 7/16"x80 1/2" (24x112x2044)



Q04 | ROOF JOIST - W4L1301
(2) | 1"x4 7/16"x68 1/2" (24x112x1740)



P01 | POST - W2A03202
(2) | 6"x6"x89 1/2" (152x152x2274)



P02 | POST - W2A03203
(2) | 6"x6"x89 1/2" (152x152x2274)



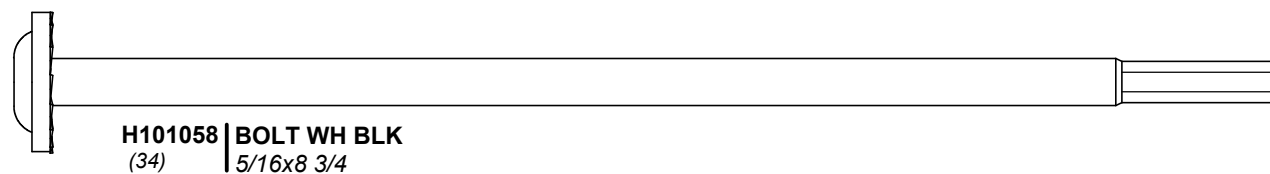
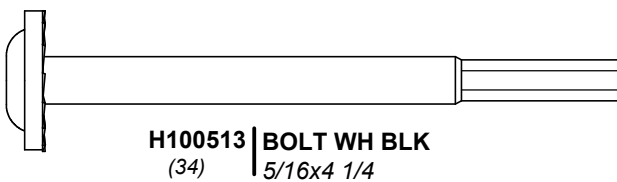
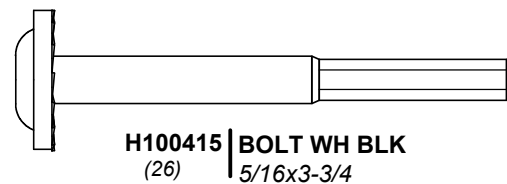
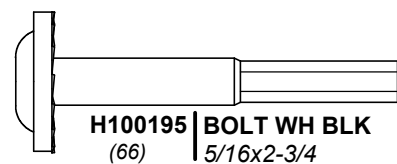
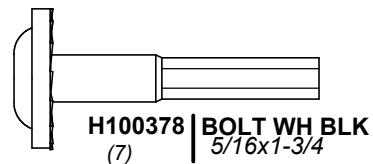
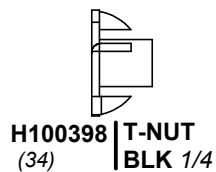
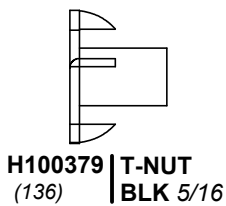
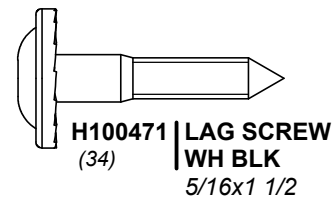
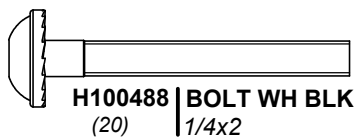
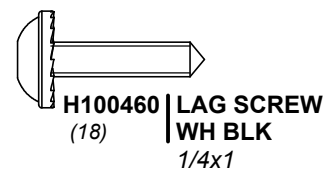
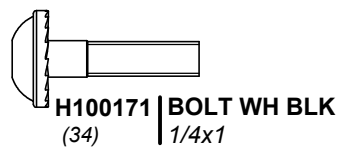
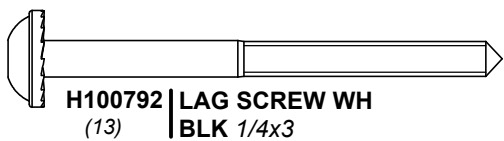
T01 | PURLIN - W4L15309
(x2) | 15/16"x1 5/16"x51 1/2" (24x34x1308)



T02 | PURLIN - W4L15239
(2) | 1"x1 5/16"x12 3/4" (24x34x324)

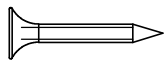
OWNER'S MANUAL - PARTS IDENTIFICATION

Hardware Components

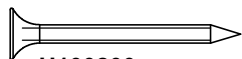


OWNER'S MANUAL - PARTS IDENTIFICATION

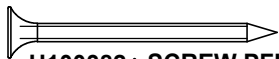
Hardware Components



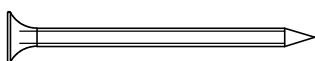
H100385 | SCREW PFH
(184) | BLK 8x1



H100200 | SCREW PFH
(26) | BLK 8x1 1/2



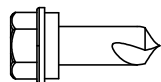
H100382 | SCREW PFH
(17) | BLK 8x1 3/4



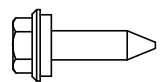
H100391 | SCREW PFH
(284) | BLK 8x2



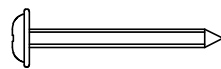
H100483 | SCREW PFH
(88) | BLK 8x2 1/4



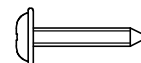
H100759 | SCREW TAPPING
(62) | 1/4x1



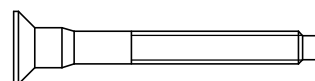
H100833 | SCREW WOODGRIP
(312) | 10x3/4



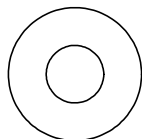
H100536 | SCREW PWH
(39) | BLK 8x1 1/4



H100392 | SCREW PWH
(17) | BLK 8x3/4



H101030 | SCREW CONFIRMAT BLK
(124) | 7x2



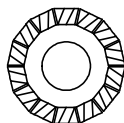
H100770 | WASHER FLAT
(26) | BLK 5/16



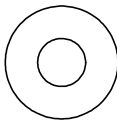
H101034 | WEATHER PROOF WASHER
(4)



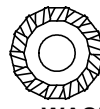
H100479 | NUT LOCK BLK
(26) | 5/16



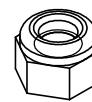
H100198 | WASHER LOCK EXT BLK
(162) | 8x19



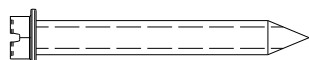
H100630 | WASHER FLAT
(37) | BLK 8x19



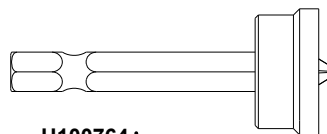
H100405 | WASHER LOCK EXT BLK
(9) | 6x15



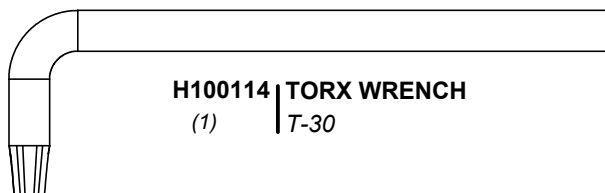
H100653 | NUT LOCK BLK
(20) | 1/4



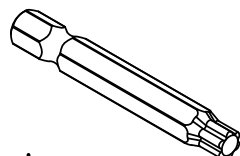
H100120 | SCREW CONCRETE ANCHOR
(18) | 1/4x2



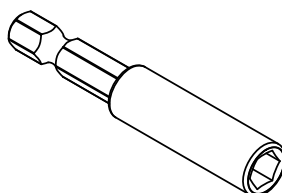
H100764 | SCREW SETTER
(1)



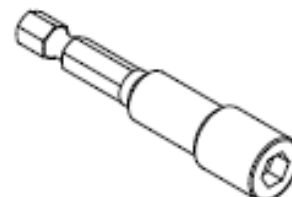
H100114 | TORX WRENCH
(1) | T-30



H100147 | T-30 TORX BIT
(1)



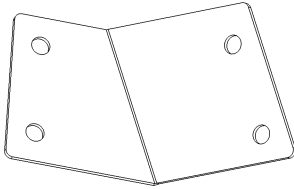
H101100 | BIT ADAPTOR
(1)



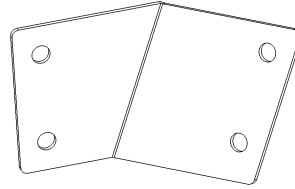
H101106 | HEX DRIVER
(x1) | 5/16

OWNER'S MANUAL - PARTS IDENTIFICATION

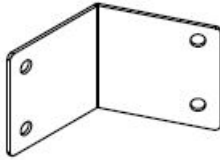
Accessory Components (Not to Scale)



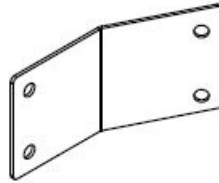
A4M01191 | PANEL BRACKET
(2)



A4M01193 | PANEL BRACKET
(2)



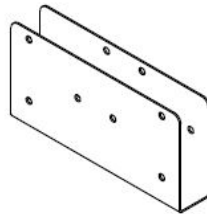
A4M01238 | PANEL BRACKET
(2)



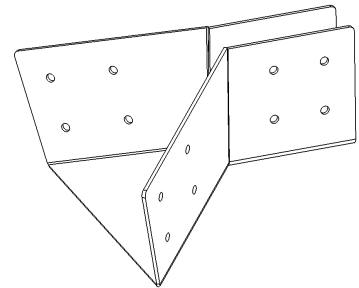
A4M01239 | PANEL BRACKET
(2)



A4M01752 | RAFTER CLIP
(18)



A4M01237 | ROOF
SUPPORT
SPLICE CLIP
(12)



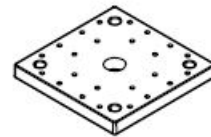
A4M01184 | PANEL SUPPORT BRACKET
(2)



A4M01236 | STEEL POST PLATE
(8)



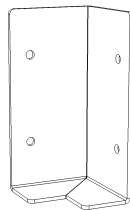
A4M01235 | STEEL POST
ANCHOR
PLATE
(8)



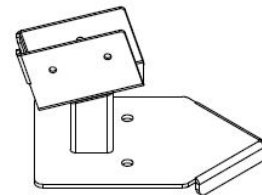
A6P00308 | 6x6 POST FOOT
(4)



A100241 | BYD ID TAG
(SMALL)
WITHOUT
AGES
(1)



A4M01185 | CORNER BRACKET
(4)



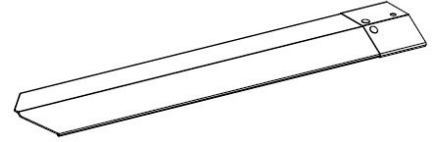
A4M01234 | POST CLIP
(4)

OWNER'S MANUAL - PARTS IDENTIFICATION

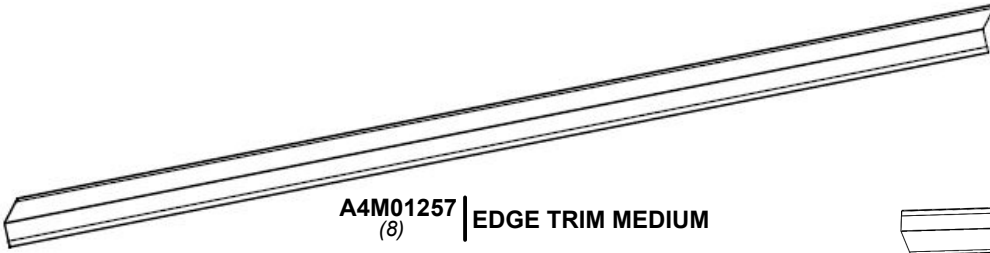
Accessory Components (Not to Scale)



A4M01248 | CORNER RIDGE CAP LONG
(4)



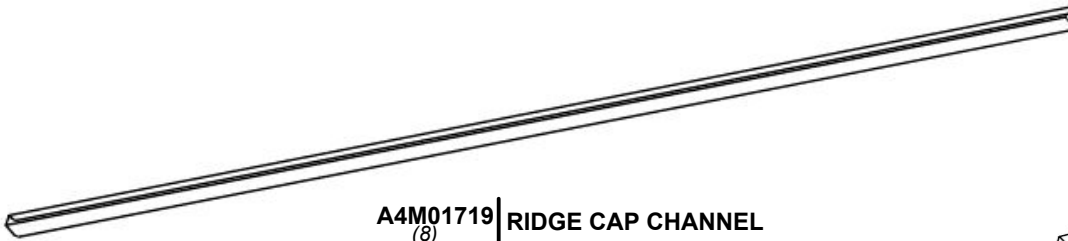
A4M01258 | RIDGE CAP SPLICE
ASSEMBLY
(4)



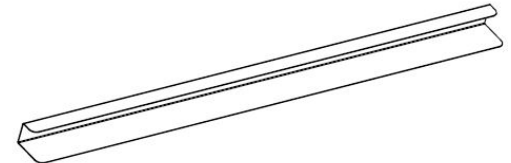
A4M01257 | EDGE TRIM MEDIUM
(8)



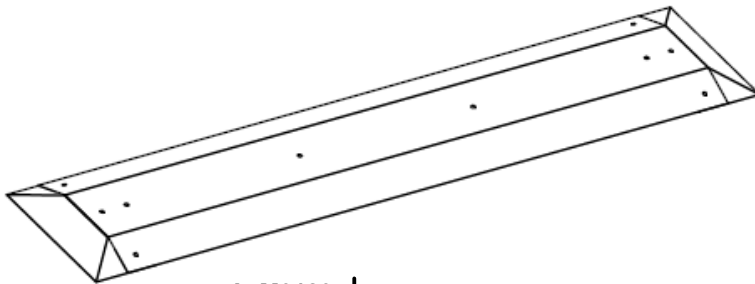
A4M01203 | EDGE TRIM SHORT
(2)



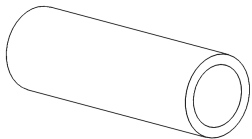
A4M01719 | RIDGE CAP CHANNEL
(8)



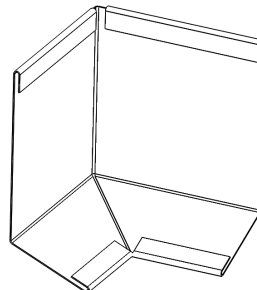
A4M01247 | RIDGE CAP CHANNEL
SHORT
(8)



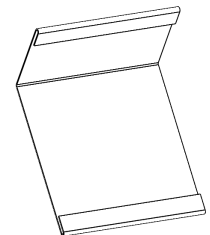
A4M01204 | RIDGE PEAK CAP
(1)



A4M01205 | METAL SPACER
(4)



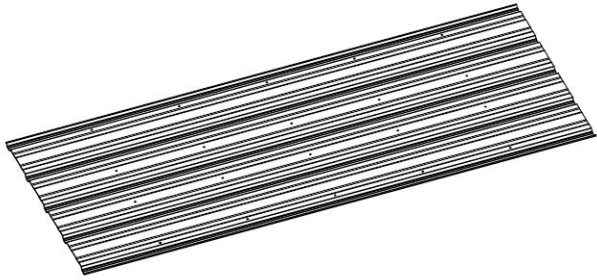
A4M01202 | EDGE TRIM CORNER SPLICE
(4)



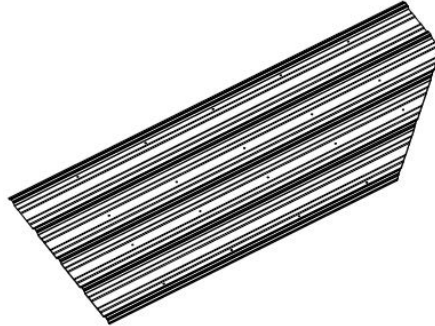
A4M01201 | EDGE TRIM SPLICE
(6)

OWNER'S MANUAL - PARTS IDENTIFICATION

Accessory Components (Not to Scale)



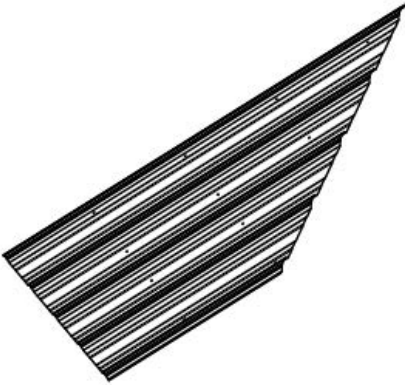
A4M01240 | 29 GA STEEL SHEETING
(2)



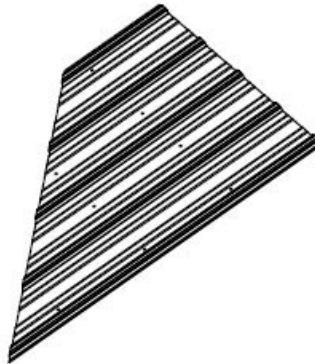
A4M01354-1 | 29 GA STEEL SHEETING
(2)



A4M01354-2 | 29 GA STEEL SHEETING
(2)



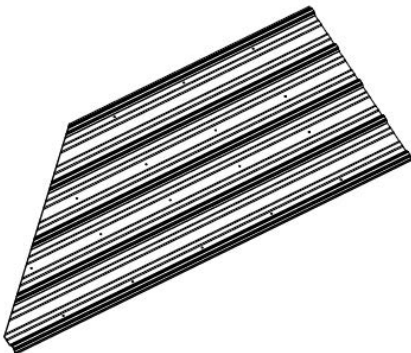
A4M01355-1 | 29 GA STEEL SHEETING
(2)



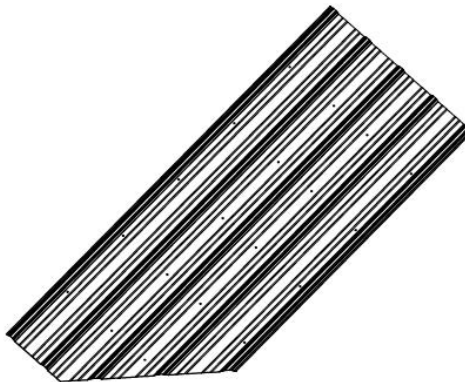
A4M01355-2 | 29 GA STEEL SHEETING
(2)



A4M01356-1 | 29 GA STEEL SHEETING
(2)



A4M01356-2 | 29 GA STEEL SHEETING
(2)



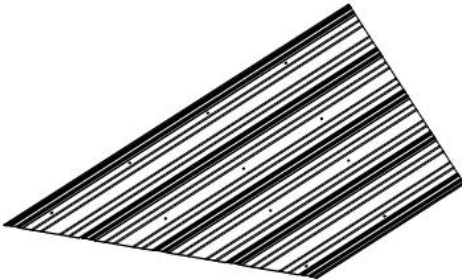
A4M01357-1 | 29 GA STEEL SHEETING
(2)



A4M01357-2 | 29 GA STEEL SHEETING
(2)

OWNER'S MANUAL - PARTS IDENTIFICATION

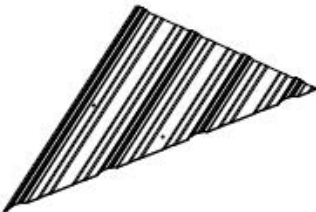
Accessory Components (Not to Scale)



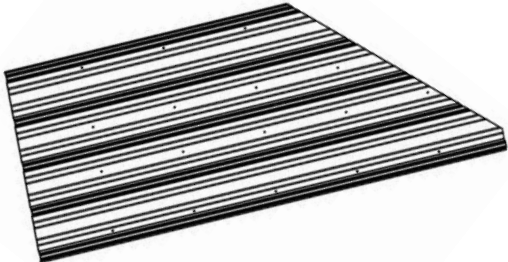
A4M01358-1 | 29 GA STEEL SHEETING
(2)



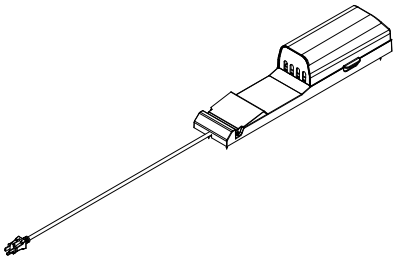
A4M01358-2 | 29 GA STEEL SHEETING
(2)



A4M01359-1 | 29 GA STEEL SHEETING
(2)



A4M01359-2 | 29 GA STEEL SHEETING
(2)



9205413 | ELECTRICAL ENCLOSURE
(x1)

PRE-ASSEMBLY STEP 1 - SORTING PARTS

It is critical for ease of assembly that you take the time to sort and organize the wood and hardware.

WOOD PARTS:

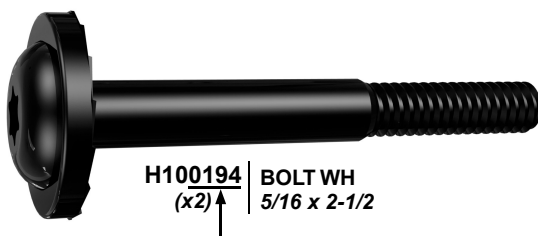
- Organize wood parts by the three-digit, alpha-numeric number stamped on each board (ex. P01).
- If there are multiple boards with the same stamped number, stack those pieces together.
- Stamps can be found on the flat surface of the boards or on the end of the boards.
- Allow yourself plenty of room - the wood pieces can take up a significant amount of space.

NOTE: CARTONS ARE NOT ORGANIZED BY BOARD NUMBER.



HARDWARE PARTS:

- We recommend that you have a separate table to organize the hardware.
- Hardware bags are printed with a seven-digit, alpha-numeric part number.
- You can organize your hardware by part number or group by hardware type (i.e. bolts, nuts, etc.).
- During assembly you only need to reference the last four digits of the number.



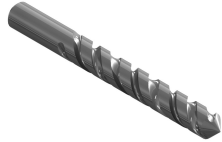
PRE-ASSEMBLY STEP 2 - TOOLS REQUIRED



Cordless Drill or
Electric Drill



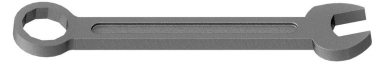
Drill Attachments:
Phillips Head



1/8", 3/16", 3/8" &
7/16" Drill Bits



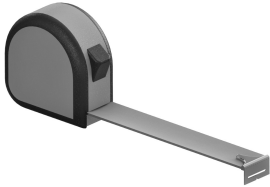
Phillips Screw Driver



Open End
Wrenches 1/2" &
7/16"



3/8" Drive Ratchet, 1/2" &
7/16" STD Sockets, 1/2" &
7/16" Deep Sockets



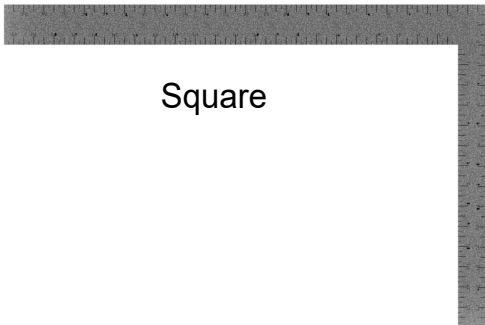
Tape Measure



Claw Hammer



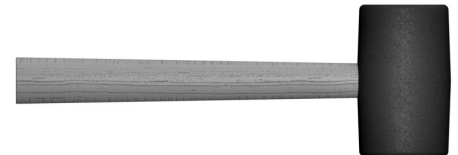
3/8 & 5/16" Nut Drivers



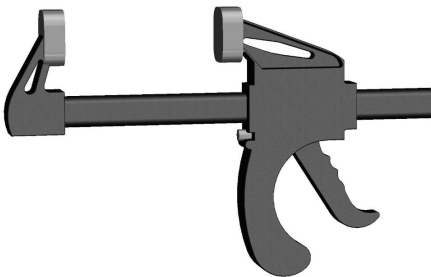
Square



Level 24"



Rubber Mallet -
Optional



$\frac{00}{2} 0 |$

PRE-ASSEMBLY STEP 3 - CHOOSE YOUR ASSEMBLY METHOD

There are several types of assembly instructions available to you.

1. Printed Assembly Manual included with your set
2. BILT APP - 3D interactive instructions
3. Combination of the Printed Manual and BILT APP (Note: Step numbers can differ between the two methods)



STEP 1 - 12FT POST ASSEMBLY

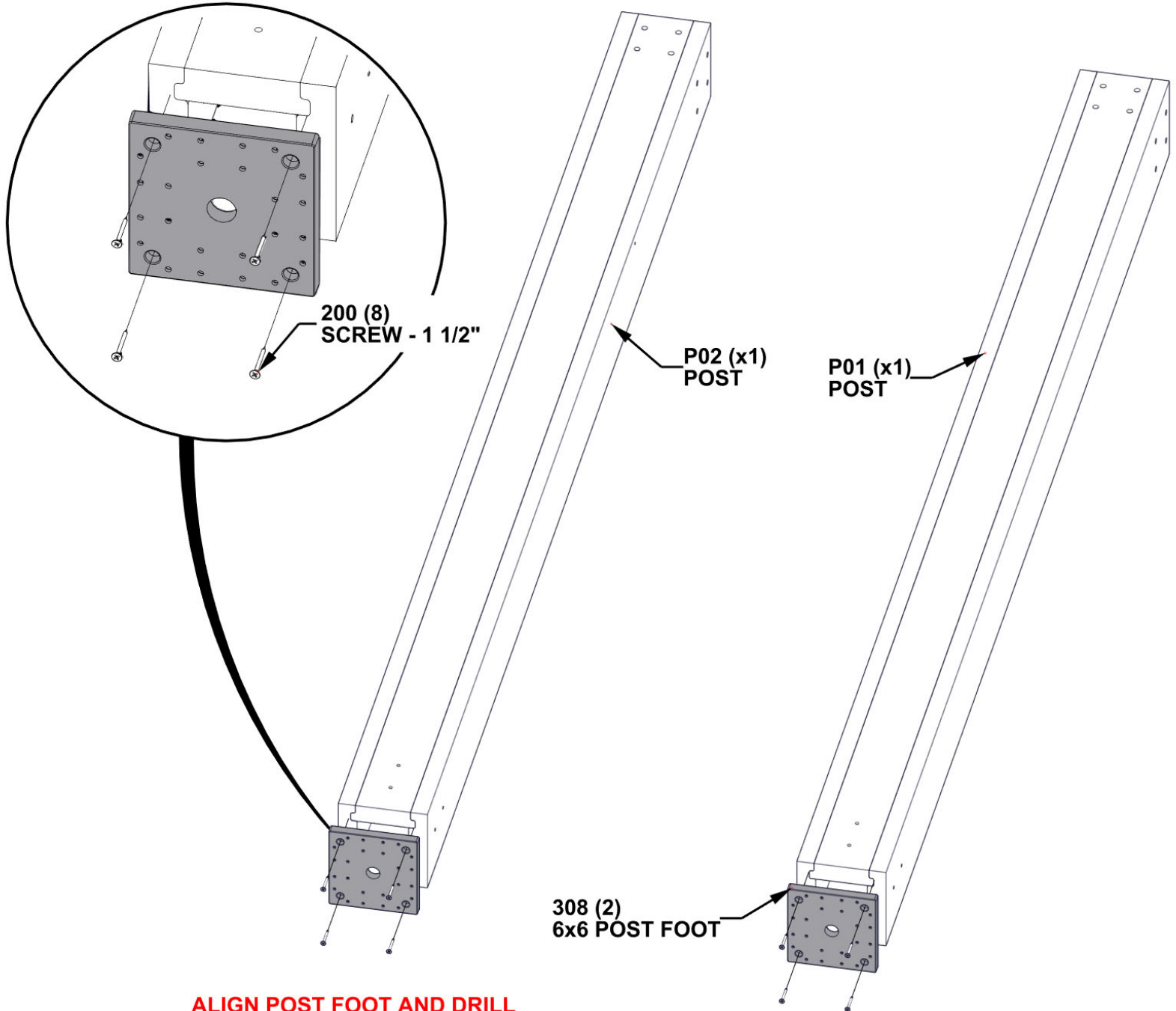
Qty	PART NUMBER	DESCRIPTION
8	H100200	SCREW PFH 8x1 1/2 BLK

P01 | POST - W2A03202
 (1) | 6"x6"x89 1/2" (152x152x2274)

P02 | POST - W2A03203
 (1) | 6"x6"x89 1/2" (152x152x2274)

A6P00308 | 6x6 POST FOOT
 (2)

TIP:
 FOR EASE OF ASSEMBLY, SAW HORSES ARE
 RECOMMENDED FOR STEPS 1 THROUGH 3



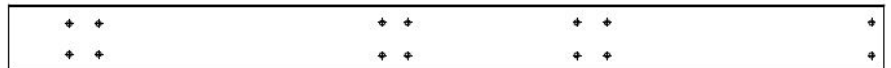
**ALIGN POST FOOT AND DRILL
 1/8" PILOT HOLES FOR THE
 ATTACHMENT OF HARDWARE**

STEP 2 - 12FT BEAM ASSEMBLY

Qty	PART NUMBER	DESCRIPTION
8	H100195	BOLT WH 5/16x2 3/4 BLK
8	H100198	WASHER LOCK EXT 8X19
8	H100379	TNUT-5/16" BLK

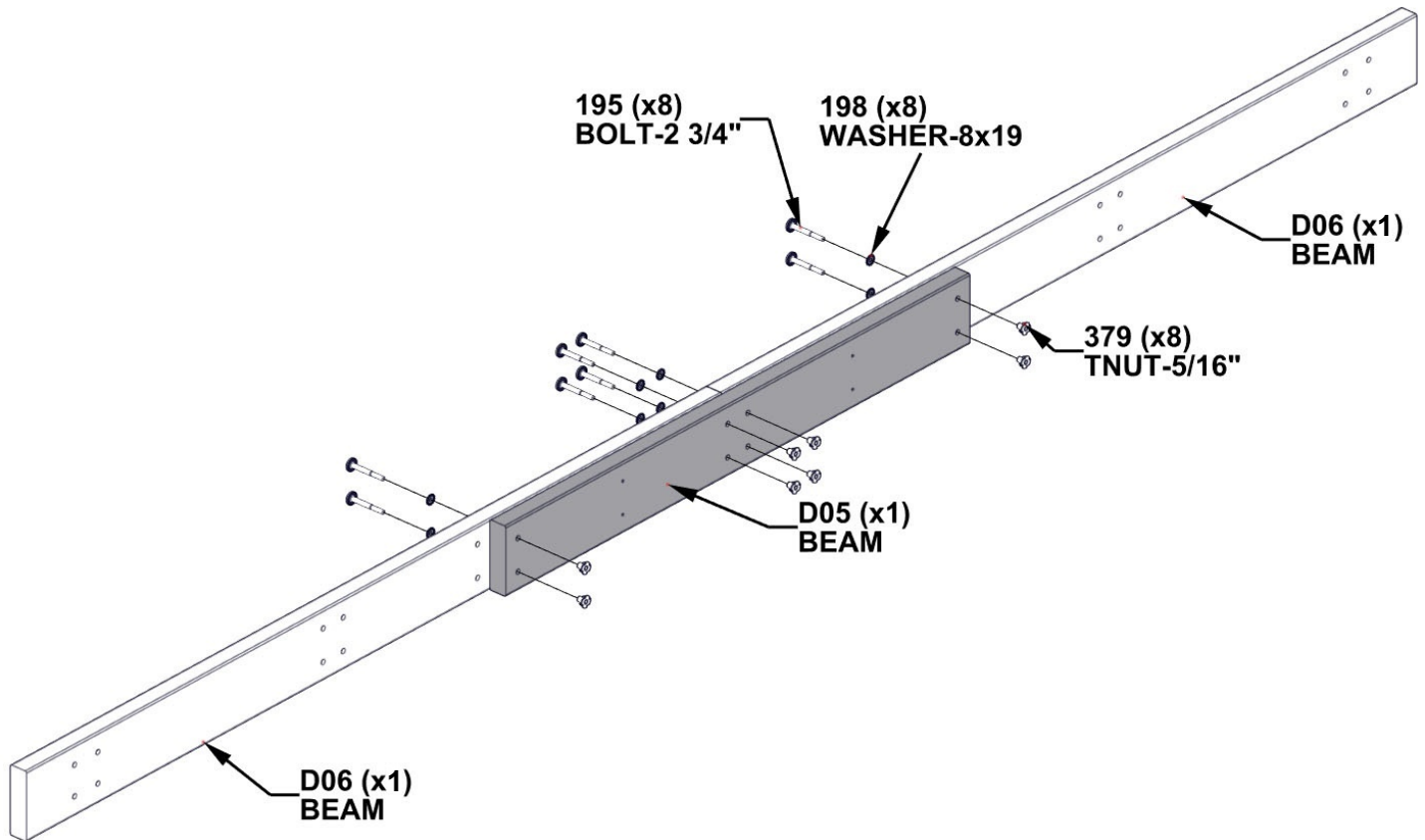


D05 | BEAM - W4L15240
 (1) | 1 3/8"x5 1/4"x45 1/4" (36x134x1150)



D06 | BEAM - W4L15241
 (2) | 1 3/8"x5 1/4"x67 13/16" (36x134x1723)

INSERT T-NUTS FIRST



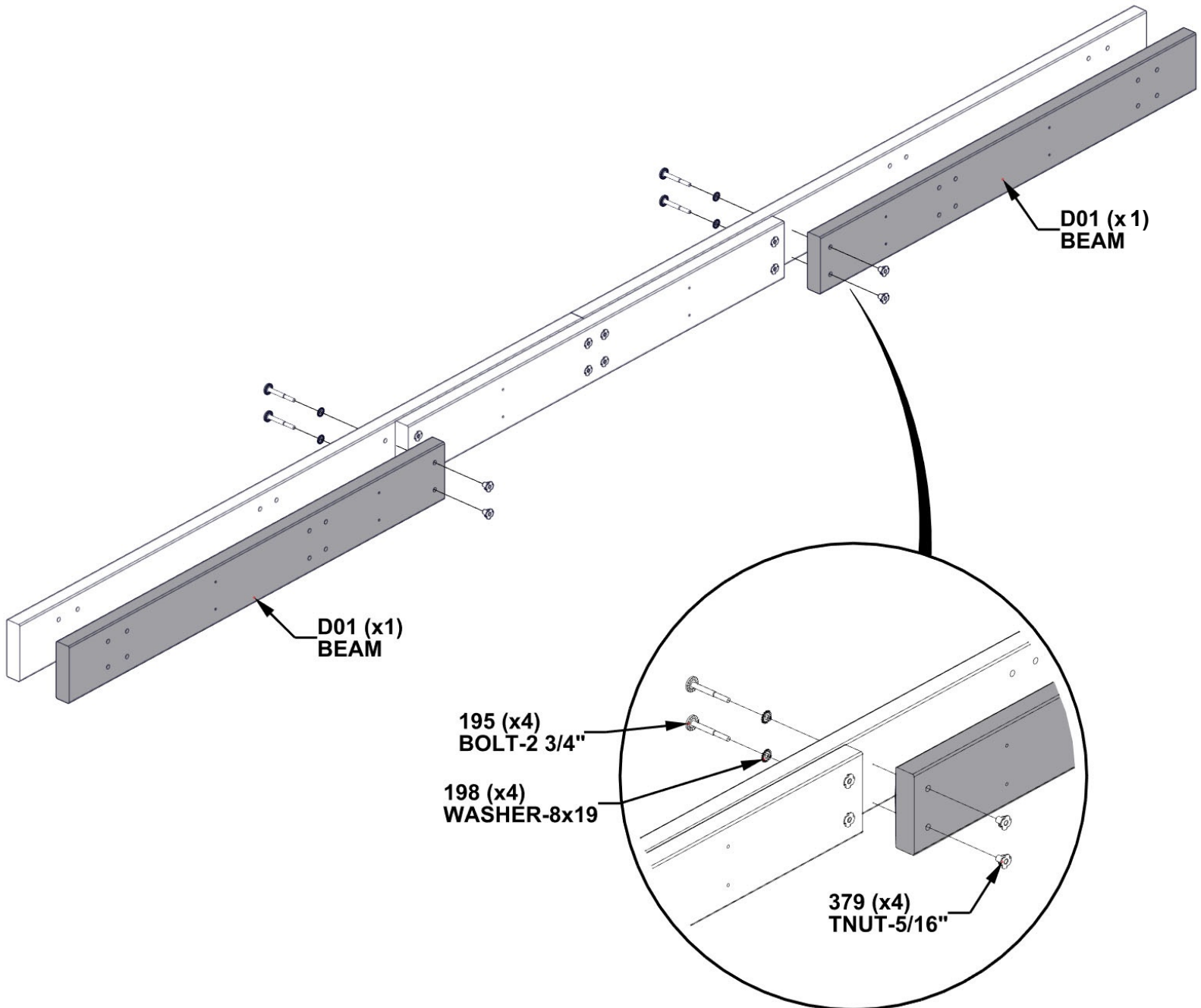
STEP 3 - 12FT BEAM ASSEMBLY

Qty	PART NUMBER	DESCRIPTION
4	H100195	BOLT WH 5/16x2 3/4 BLK
4	H100198	WASHER LOCK EXT 8X19
4	H100379	TNUT-5/16" BLK



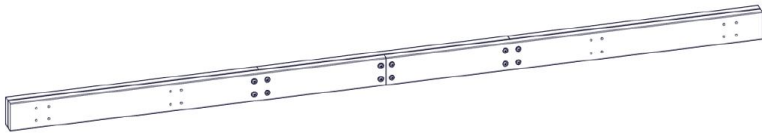
D01 | BEAM- W4L15192
 (2) 1 3/8"x5 1/4"x45 3/16" (36x134x1148)

INSERT T-NUTS FIRST

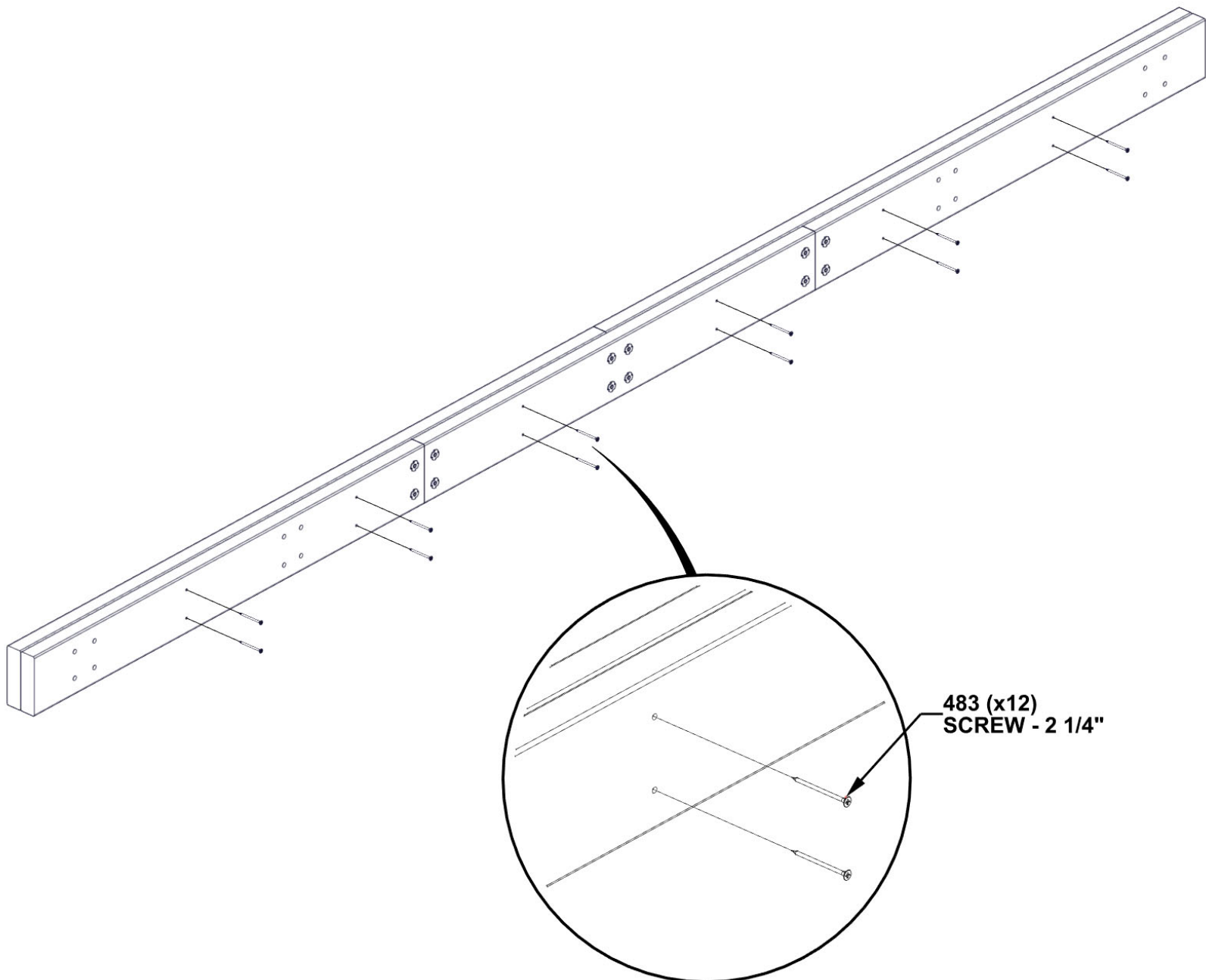


STEP 4 - 12FT BEAM ASSEMBLY

Qty	PART NUMBER	DESCRIPTION
12	H100483	SCREW PFH 8x2 1/4 BLK

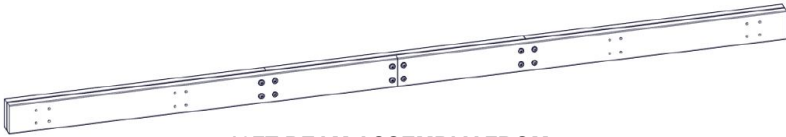


**12 FT BEAM ASSEMBLY
FROM PREVIOUS STEPS**



STEP 5 - 12FT BEAM ASSEMBLY

Qty	PART NUMBER	DESCRIPTION
8	H100198	WASHER LOCK EXT 8X19
8	H100379	TNUT-5/16" BLK
8	H101058	BOLT WH 5/16x8 3/4 BLK

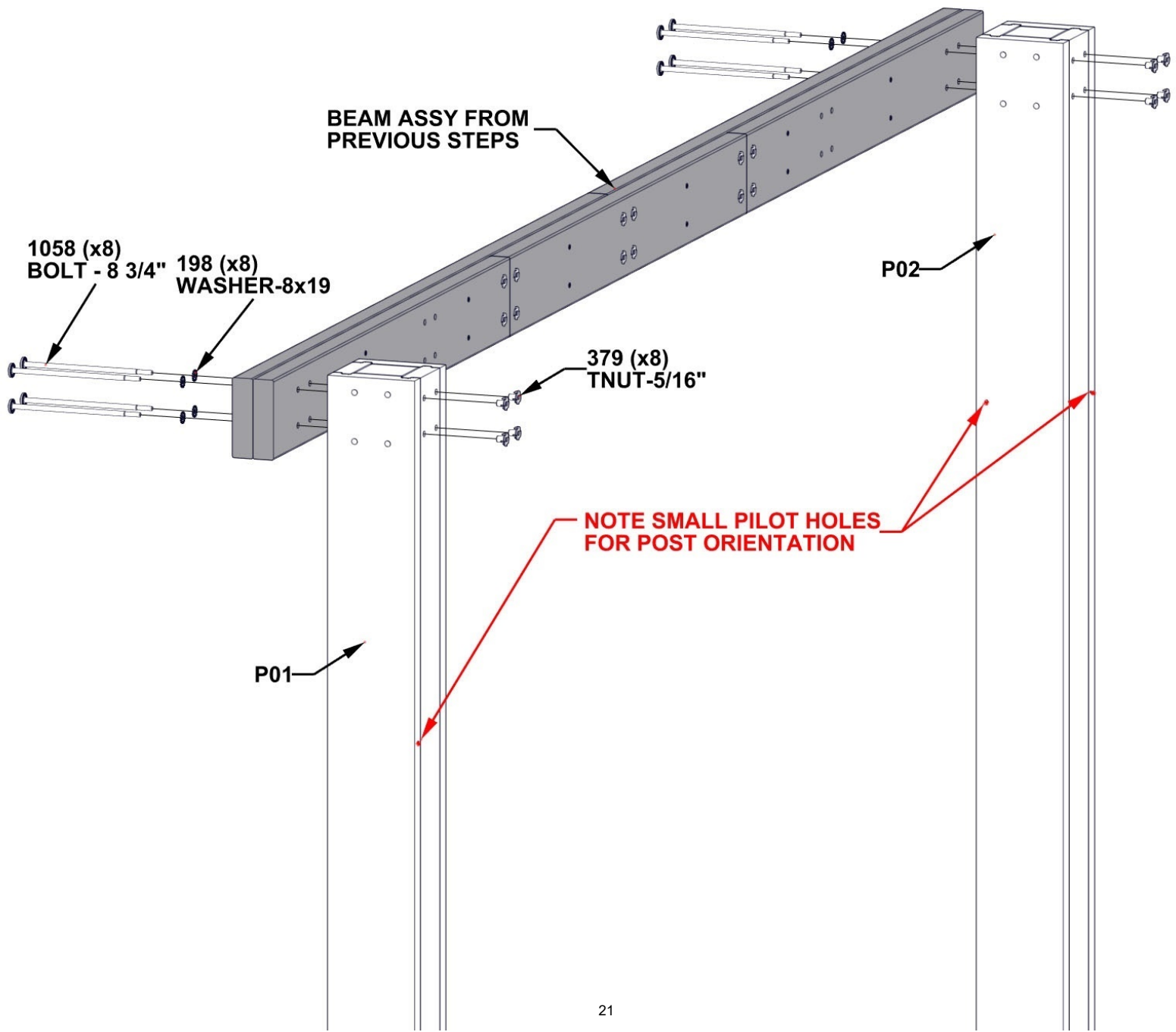


12FT BEAM ASSEMBLY FROM PREVIOUS STEPS

INSERT T-NUTS FIRST

TIPS:

SAW DUST CAN BE LEFT BEHIND IN BOLT HOLES. IF YOU HAVE TROUBLE WITH BOLT ENGAGING, USE A LONG SCREWDRIVER TO REMOVE THE DEBRIS.



STEP 6 - 12FT BEAM ASSEMBLY

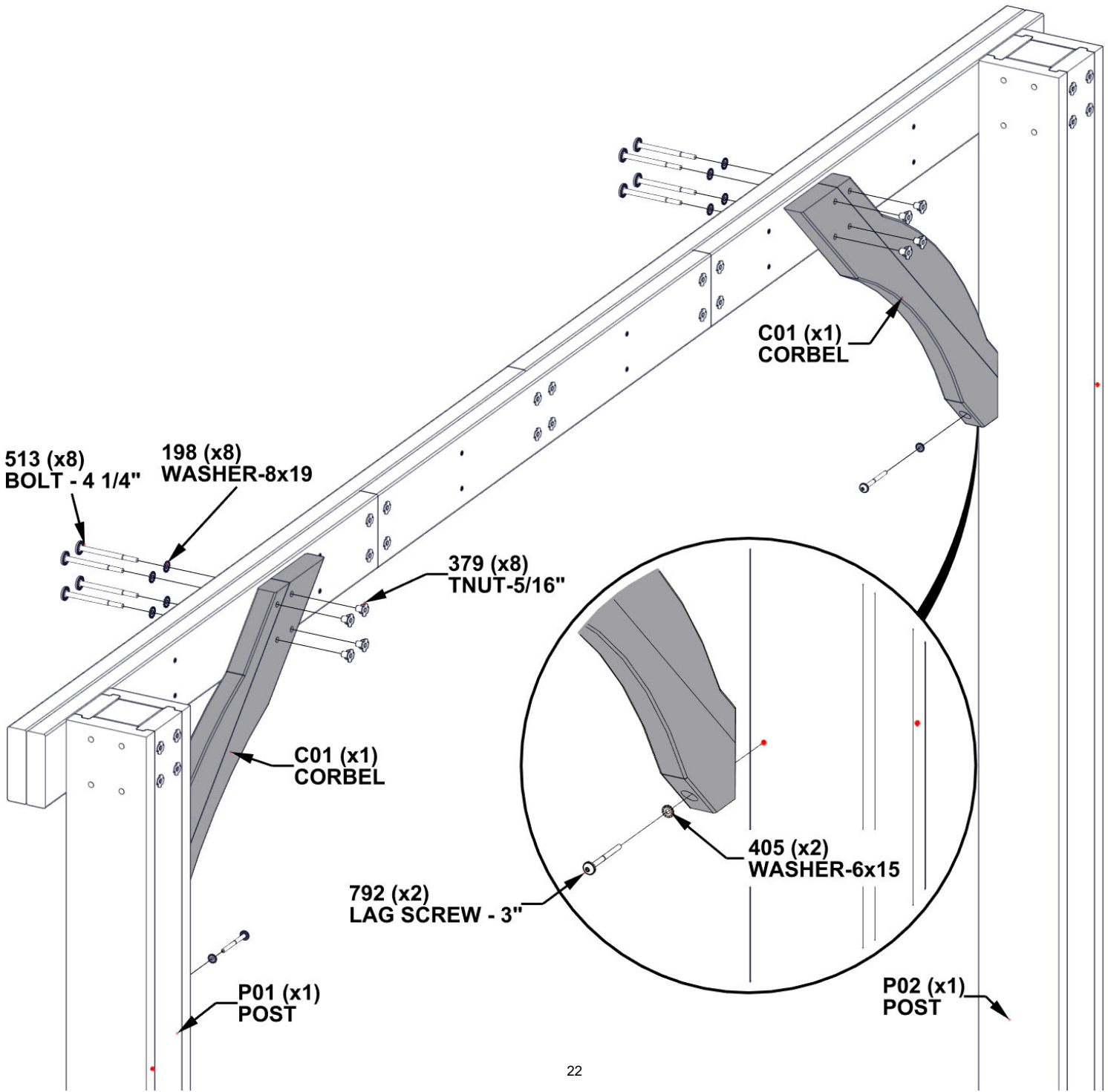
Qty	PART NUMBER	DESCRIPTION
8	H100198	WASHER LOCK EXT 8X19
8	H100379	TNUT-5/16" BLK
2	H100405	WASHER LOCK EXT 6X15
8	H100513	BOLT WH 5/16x4 1/4 BLK
2	H100792	LAG SCREW WH 1/4x3 BLK



C01 | CORBEL- W2A03198
 (2) | 1 3/8"x6 7/16"x36 1/4"(36x163x921)

INSERT T-NUTS FIRST

TIPS:
 INSERT BOLTS FIRST FOLLOWED BY LAG SCREWS.
 TO AVOID WOOD SPLITTING, MAKE SURE LAG SCREWS GO INTO PILOT HOLES.



**SET 12FT ASSEMBLY TO THE SIDE
AND REPEAT STEPS 1 THROUGH 6.**

STEP 7 - 16FT BEAM ASSEMBLY

Qty	PART NUMBER	DESCRIPTION
12	H100195	BOLT WH 5/16x2 3/4 BLK
12	H100198	WASHER LOCK EXT 8X19 BLK
12	H100379	TNUT-5/16" BLK

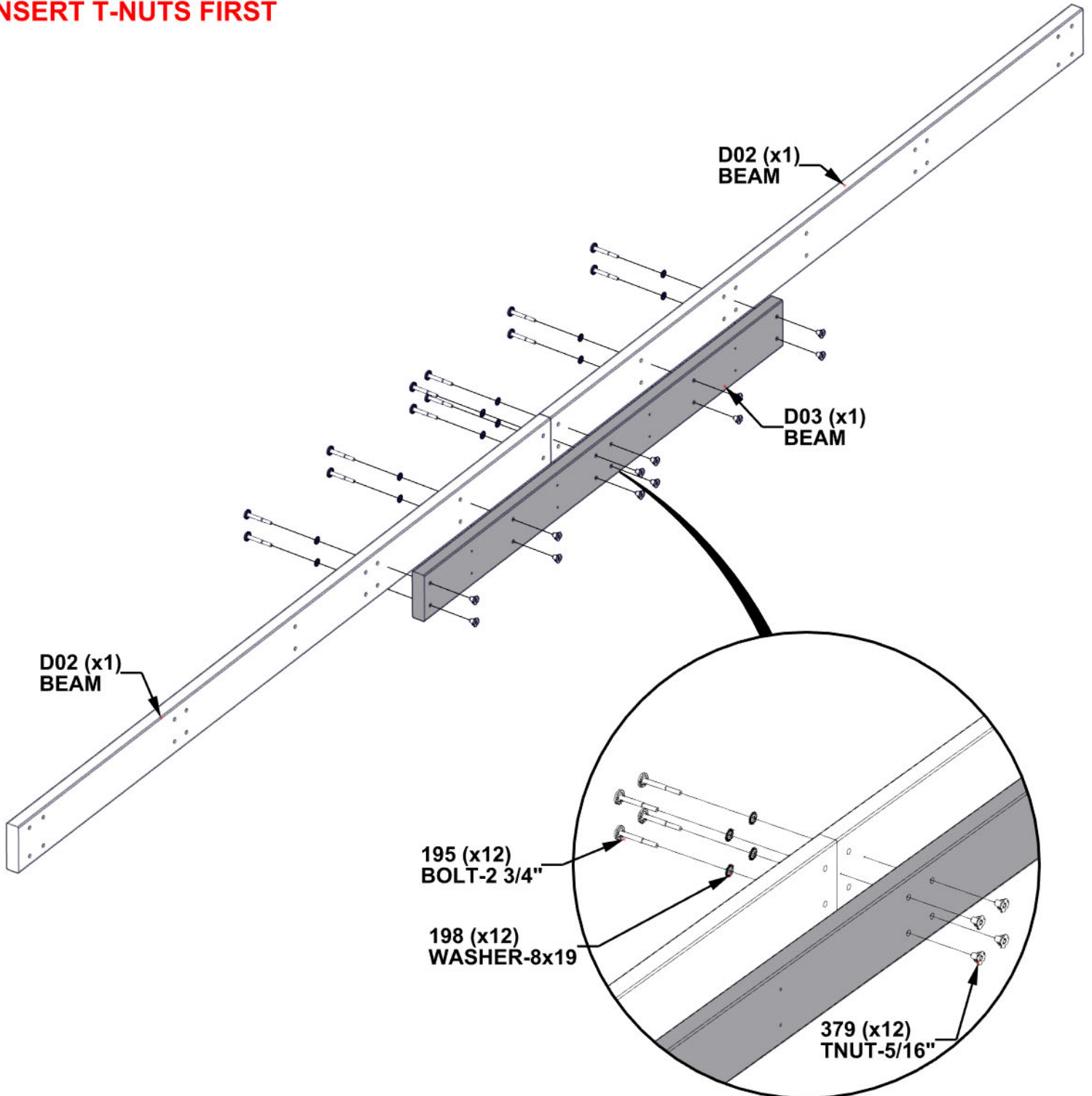


D03 BEAM - W4L15283
 (1) 1 3/8"x5 1/4"x59 15/16" (36x134x1522)



D02 BEAM - W4L15284
 (2) 1 3/8"x5 1/4"x59 1/16" (36x134x2261)

INSERT T-NUTS FIRST



STEP 8 - 16FT BEAM ASSEMBLY



C01 | CORBEL- W2A03198
(1) | 1 3/8"x6 7/16"x36 1/4" (36x163x921)



C02 | CORBEL W/TAG- W2A03199
(1) | 1 3/8"x6 7/16"x36 1/4" (36x163x921)

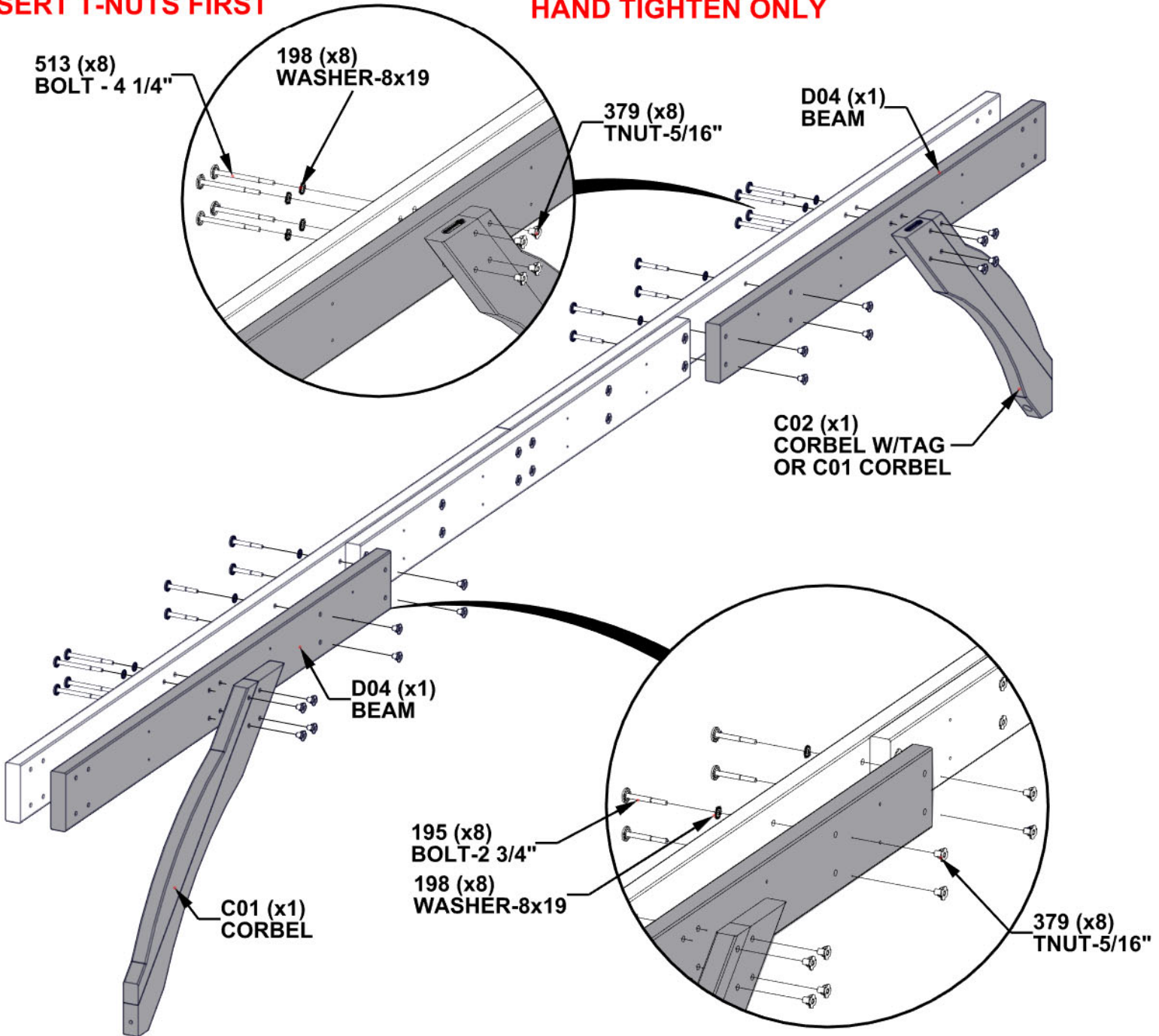
Qty	PART NUMBER	DESCRIPTION
8	H100195	BOLT WH 5/16x2 3/4 BLK
16	H100198	WASHER LOCK EXT 8X19 BLK
16	H100379	TNUT-5/16" BLK
8	H100513	BOLT WH 5/16x4 1/4 BLK



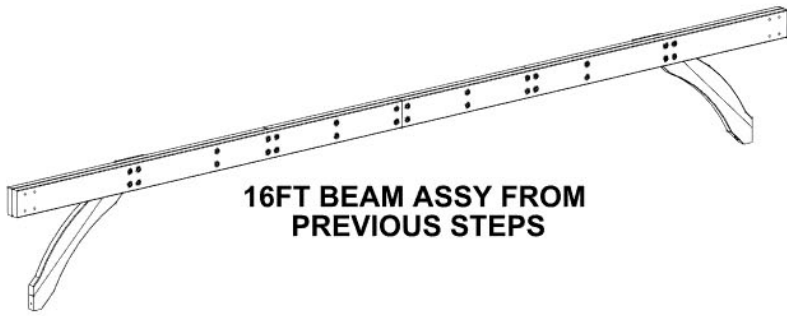
D04 | BEAM - W4L15282
(2) | 1 3/8"x5 1/4"x89" (36x134x1500)

INSERT T-NUTS FIRST

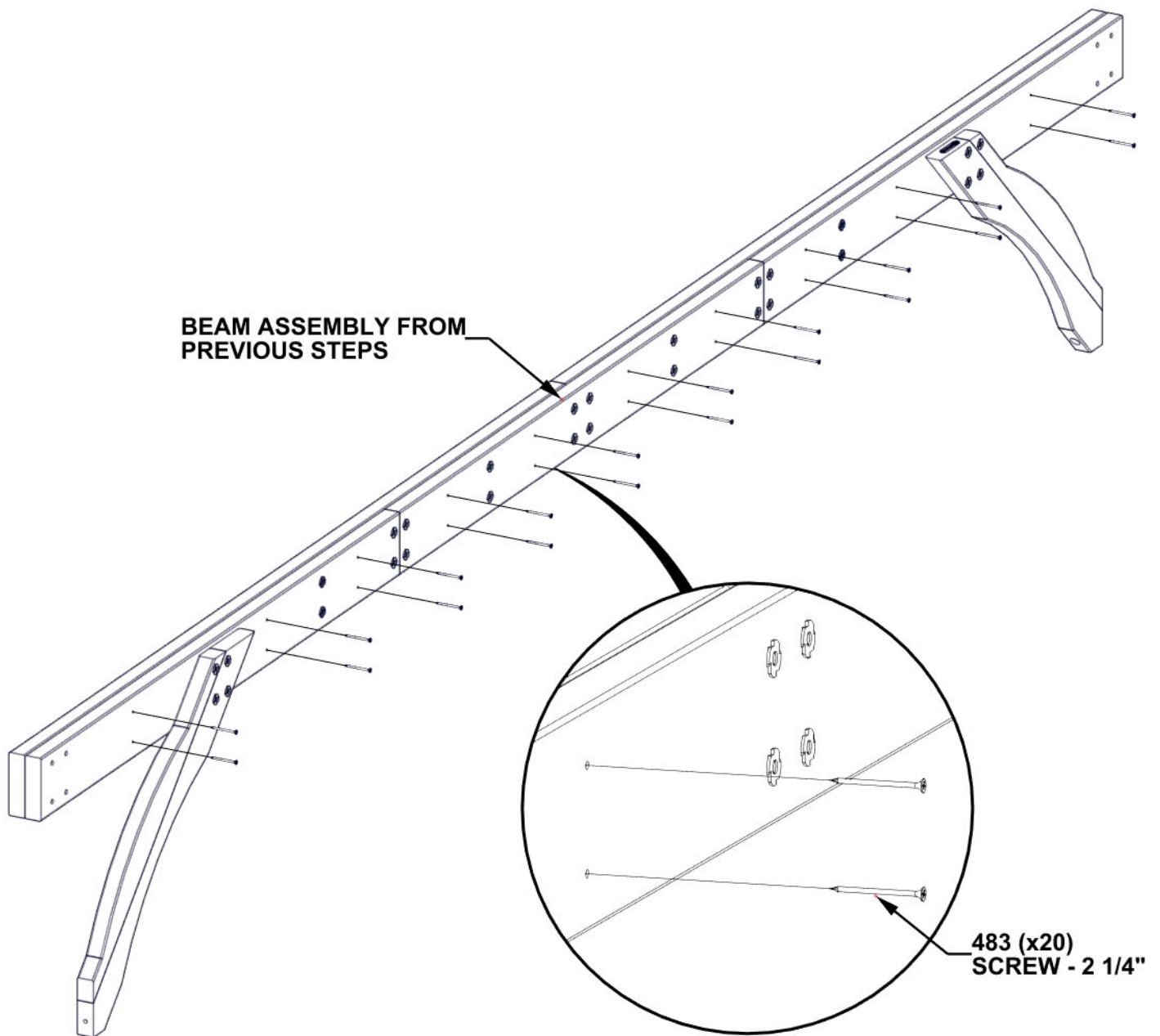
HAND TIGHTEN ONLY



STEP 9 - 16FT BEAM ASSEMBLY

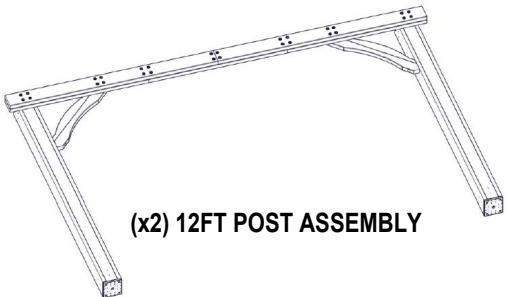


Qty	PART NUMBER	DESCRIPTION
20	H100483	SCREW PFH 8x2 1/4 BLK

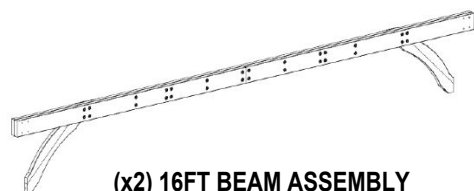


STEP 10A - 16FT BEAM ASSEMBLY

Qty	PART NUMBER	DESCRIPTION
8	H100198	WASHER LOCK EXT 8X19 BLK
8	H100379	TNUT-5/16" BLK
2	H100405	WASHER LOCK EXT 6X15 BLK
2	H100792	LAG SCREW WH 1/4x3 BLK
8	H101058	BOLT WH 5/16x8 3/4 BLK



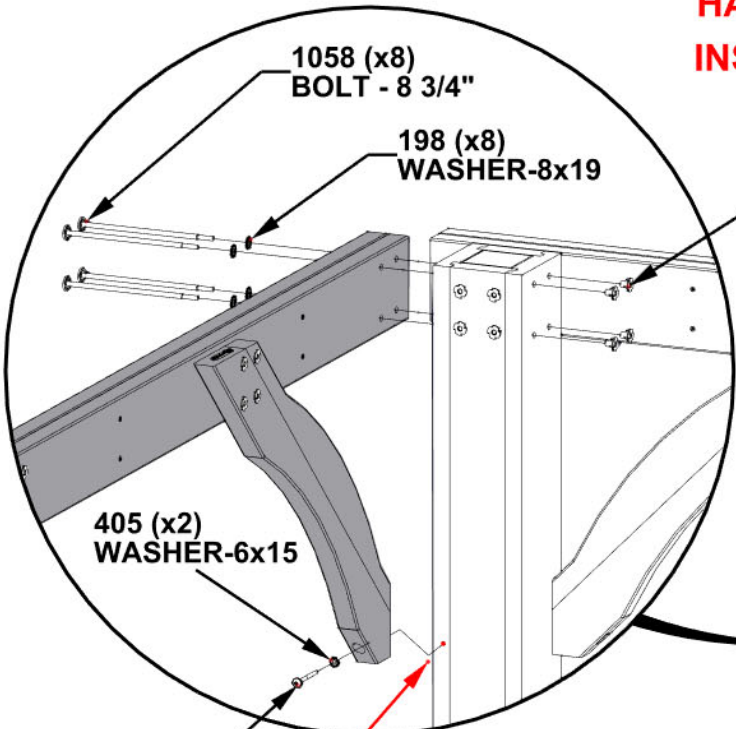
(x2) 12FT POST ASSEMBLY



(x2) 16FT BEAM ASSEMBLY

TIPS:
THREE PEOPLE ARE HELPFUL FOR THIS STEP.
MOVE THE 12FT POST ASSEMBLIES TO THEIR FINAL LOCATIONS WITH SOMEONE HOLDING EACH ASSEMBLY UPRIGHT.

HAND TIGHTEN ONLY
INSERT T-NUTS FIRST



1058 (x8)
BOLT - 8 3/4"

198 (x8)
WASHER-8x19

379 (x8)
TNUT-5/16"

405 (x2)
WASHER-6x15

792 (x2)
LAG SCREW - 3"

12FT ASSEMBLY FROM
PREVIOUS STEPS

TO AVOID SPLITTING, LAG SCREWS MUST GO INTO PILOT HOLES

16FT ASSEMBLY FROM
PREVIOUS STEPS

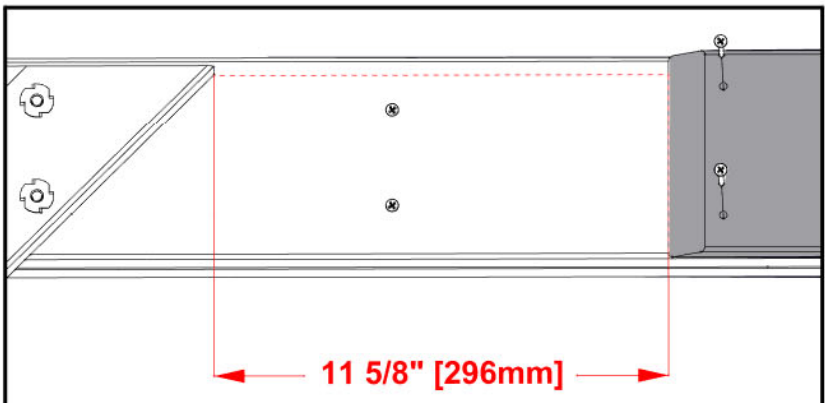
12FT ASSEMBLY FROM
PREVIOUS STEPS

STEP 10B - 16FT BEAM ASSEMBLY

Qty	PART NUMBER	DESCRIPTION
12	H100483	SCREW PFH 8x2 1/4 BLK

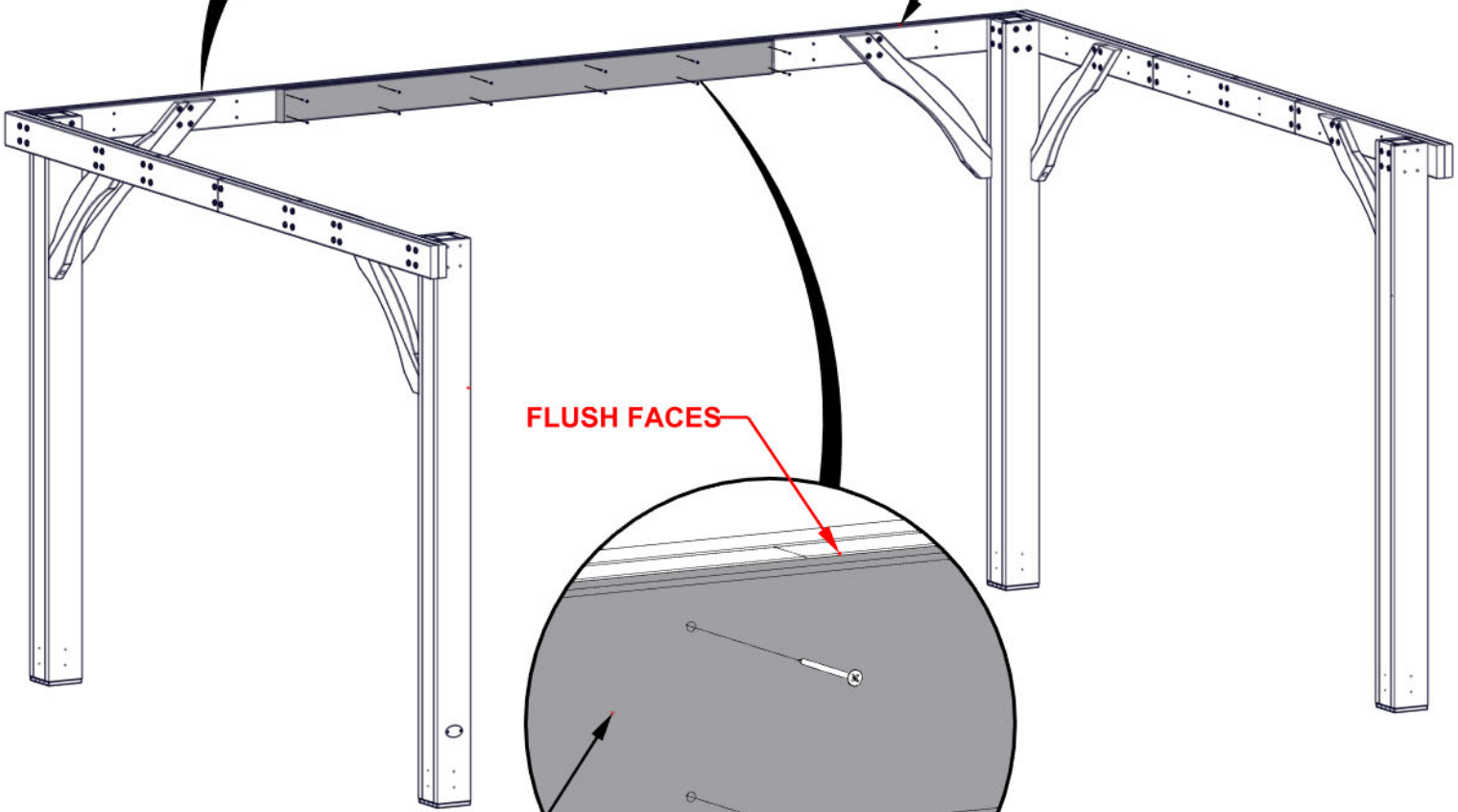


G01 | COVER BOARD - W4L15313
 (1) | 1"x5 1/4"x89 1/2" (24x134x2274)



FOR BOARD PLACEMENT, MEASURE AS SHOWN FROM CORNER OF CORBEL. USE PILOT HOLES TO ATTACH BOARD.

16FT ASSEMBLY FROM PREVIOUS STEPS



FLUSH FACES

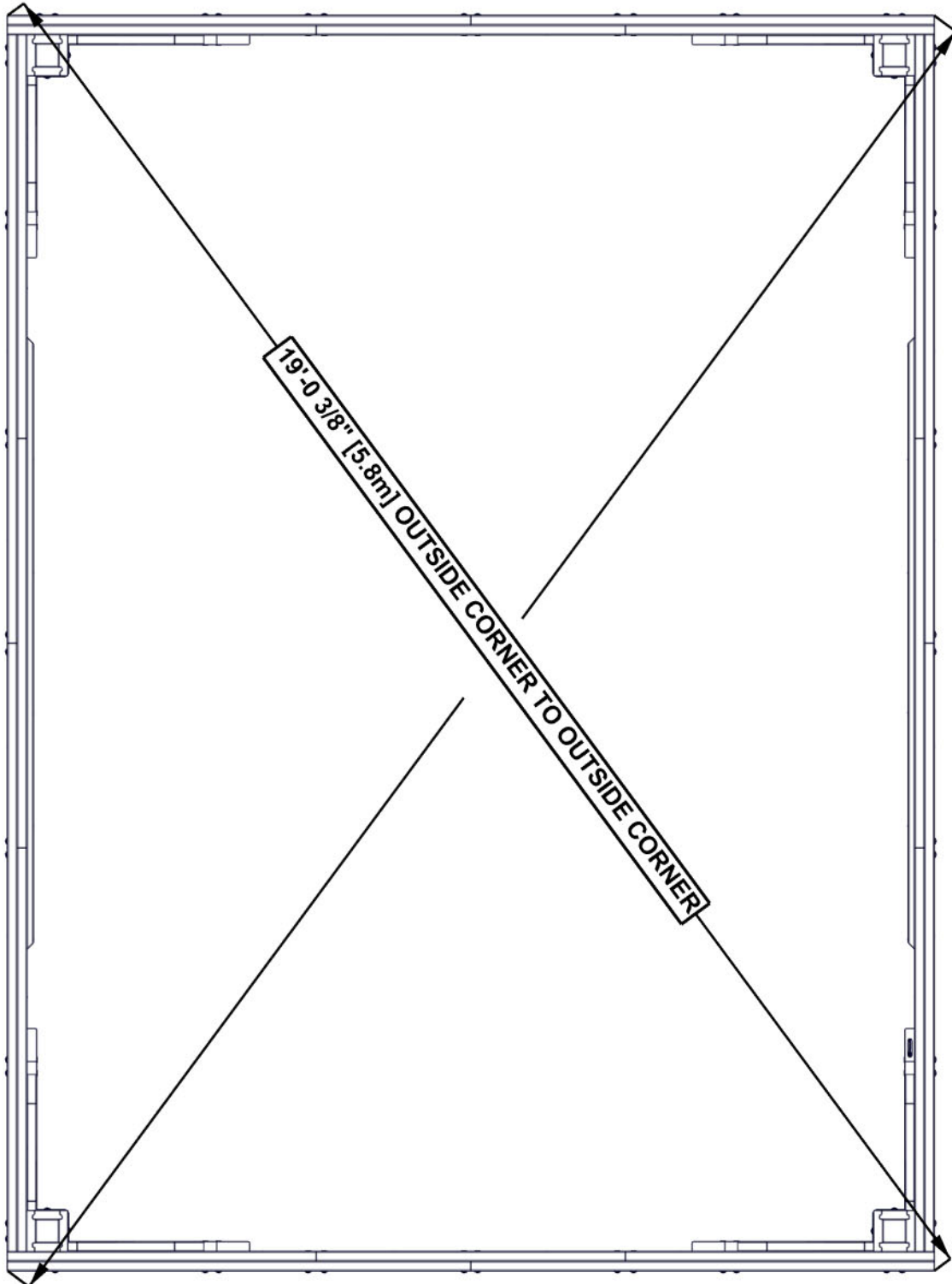
**G01 (x1)
COVER BOARD**

**483 (x12)
SCREW - 2 1/4"**

**REPEAT STEPS 7 THROUGH 10 FOR OPPOSITE
SIDE 16FT BEAM ASSEMBLY**

STEP 11

**CRITICAL: SQUARE UNIT BEFORE PROCEEDING TO NEXT STEPS.
ONCE SQUARE, TIGHTEN ALL HARDWARE**



TOP VIEW

STEP 12 - ROOF SUPPORT ASSEMBLY

Qty	PART NUMBER	DESCRIPTION
16	H100460	LAG SCREW WH 1/4x1 BLK



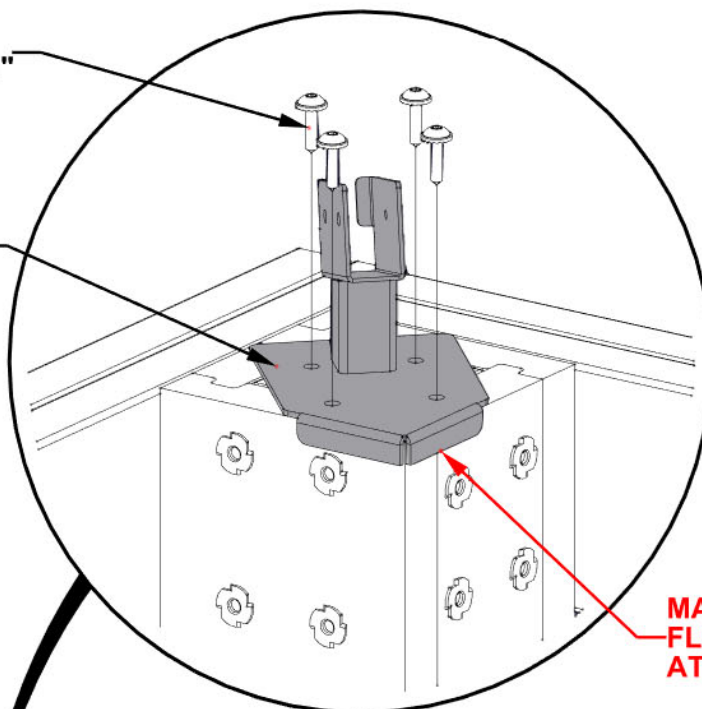
A4M01234 | POST CLIP
(4)

DO NOT OVERTIGHTEN

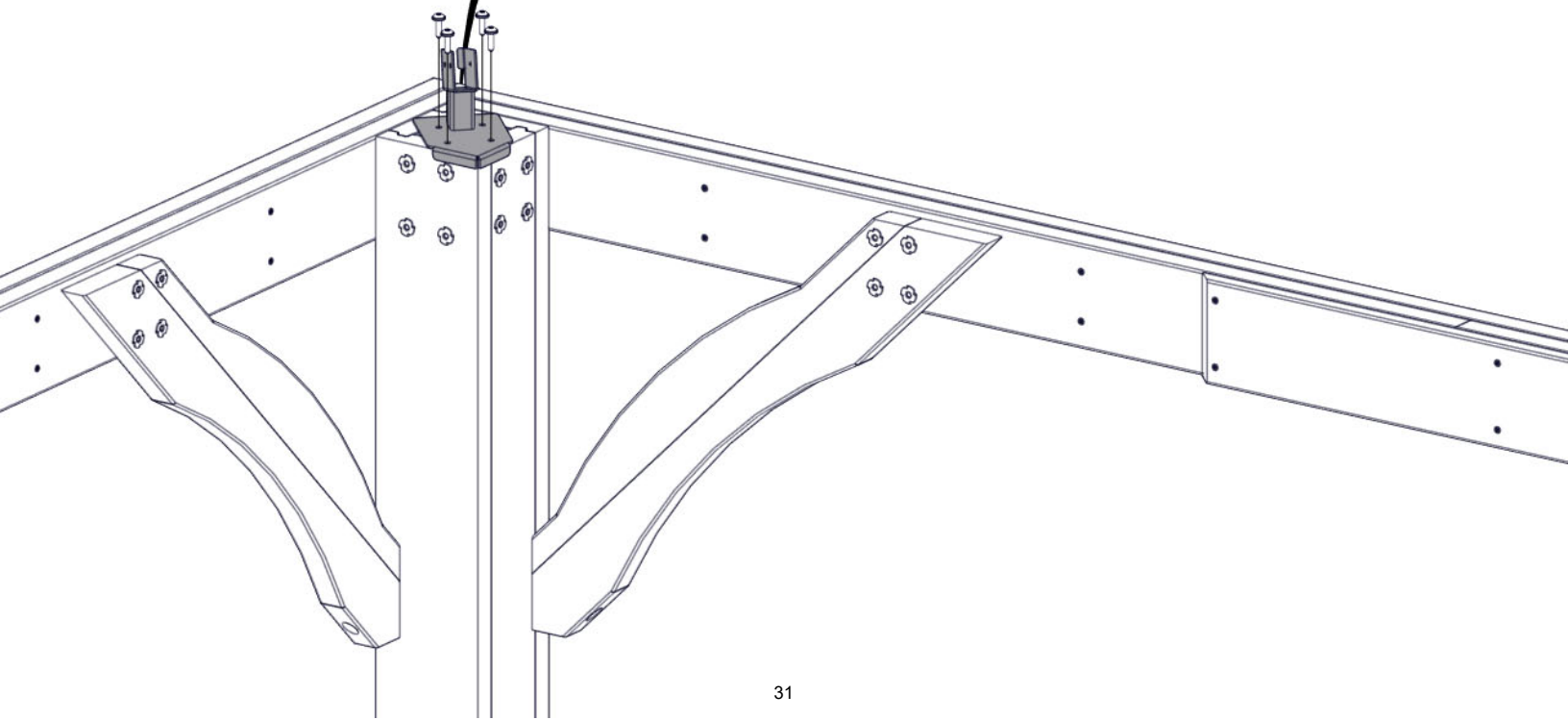
REPEAT ON ALL FOUR POST

460 (x4)
LAG SCREW - 1"

1234(x1)
POST CLIP ASSY



**MAKE SURE POST CLIPS ARE
FLUSH WITH POST BEFORE
ATTACHING LAG SCREWS.**

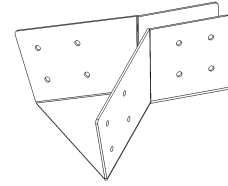


STEP 13 - ROOF SUPPORT ASSEMBLY

Qty	PART NUMBER	DESCRIPTION
2	H100379	T-NUT 5/16 BLK
8	H100385	SCREW PFH 8x1 BLK

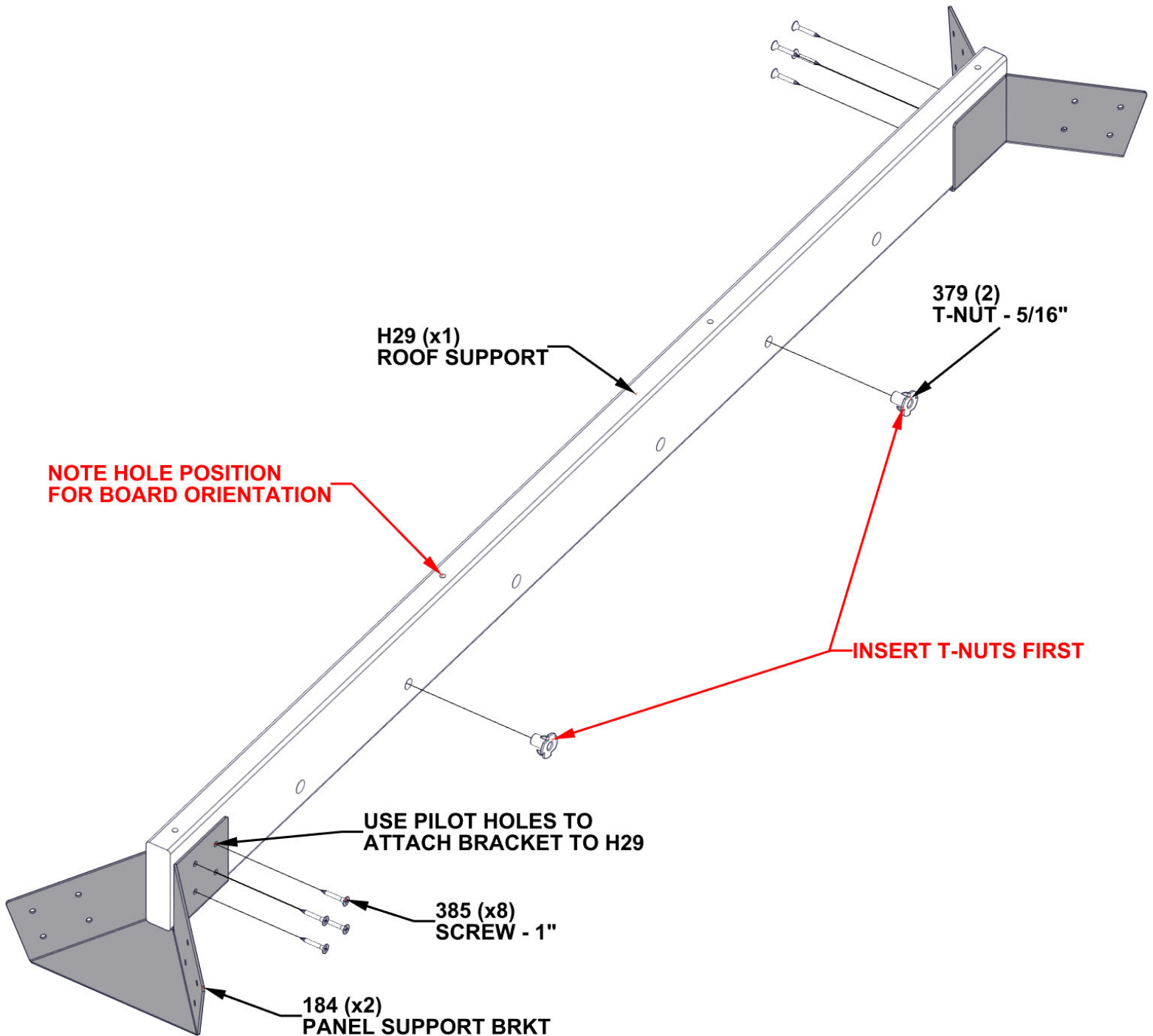


H29 | ROOF SUPPORT- W4L15160
 (1) 1"x3 3/8"x48 (24x86x1219)



A4M01184 | PANEL SUPPORT BRACKET
 (2)

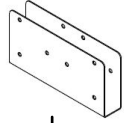
INSERT T-NUTS FIRST



STEP 14 - ROOF SUPPORT ASSEMBLY



H01 | ROOF SUPPORT- W4L15194
(4) | 1"x3 3/8"x54 1/8" (24x86x1374)



A4M01237 | ROOF SUPPORT SPLICE CLIP
(4)

Qty	PART NUMBER	DESCRIPTION
4	H100379	T-NUT 5/16 BLK
48	H100385	SCREW PFH 8x1 BLK

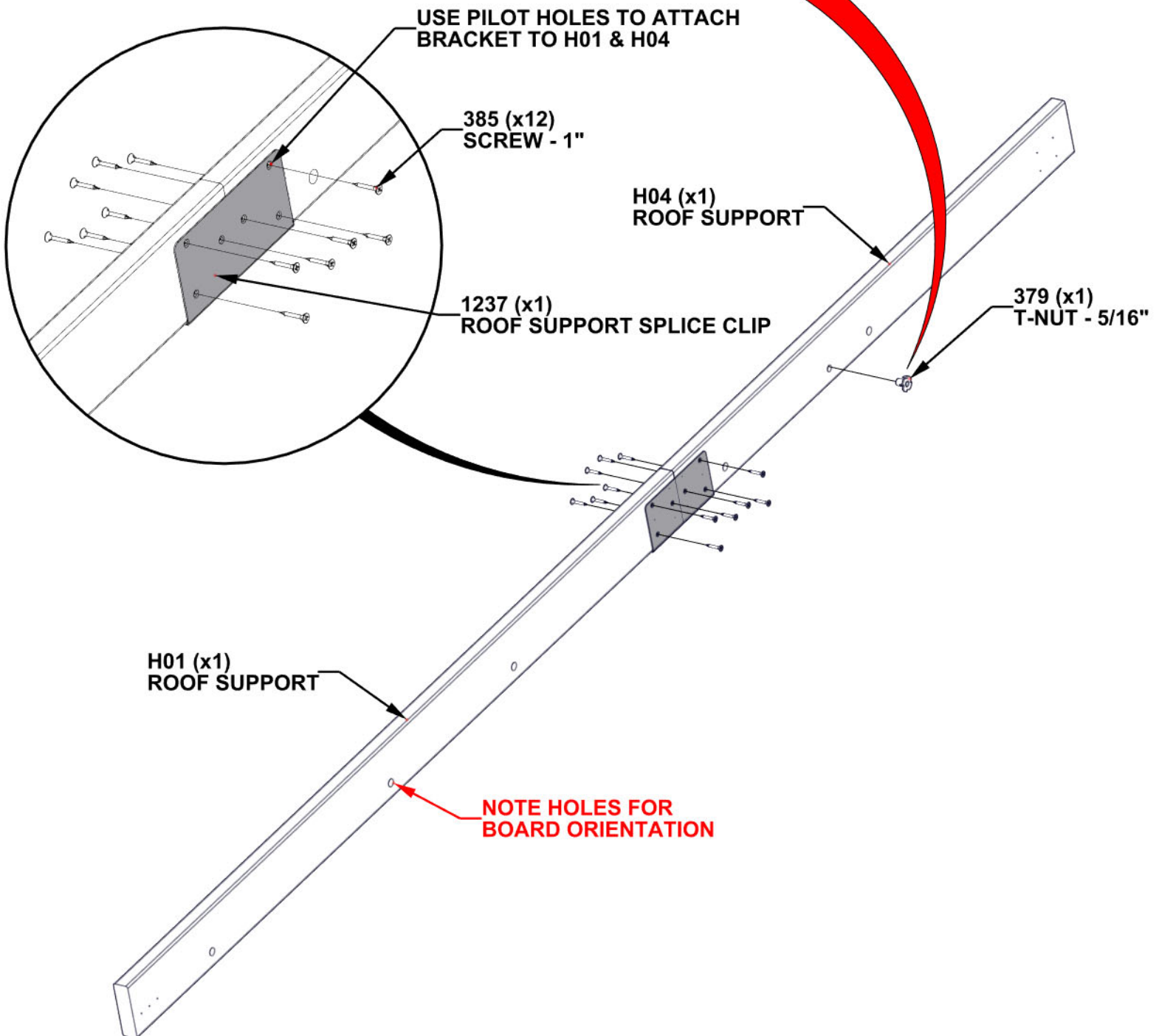


H04 | ROOF SUPPORT - W4L15314
(4) | 1"x3 3/8"x38 13/16" (24x86x986)

INSERT T-NUTS FIRST

REPEAT FOUR TIMES

IMPORTANT! THERE WILL BE FOUR OF THESE ASSEMBLIES. ASSEMBLE (2) WITH T-NUT ON SIDE AS SHOWN BELOW ASSEMBLE THE OTHER (2) WITH T-NUT IN SAME HOLE BUT ON OTHER SIDE OF BOARD H04



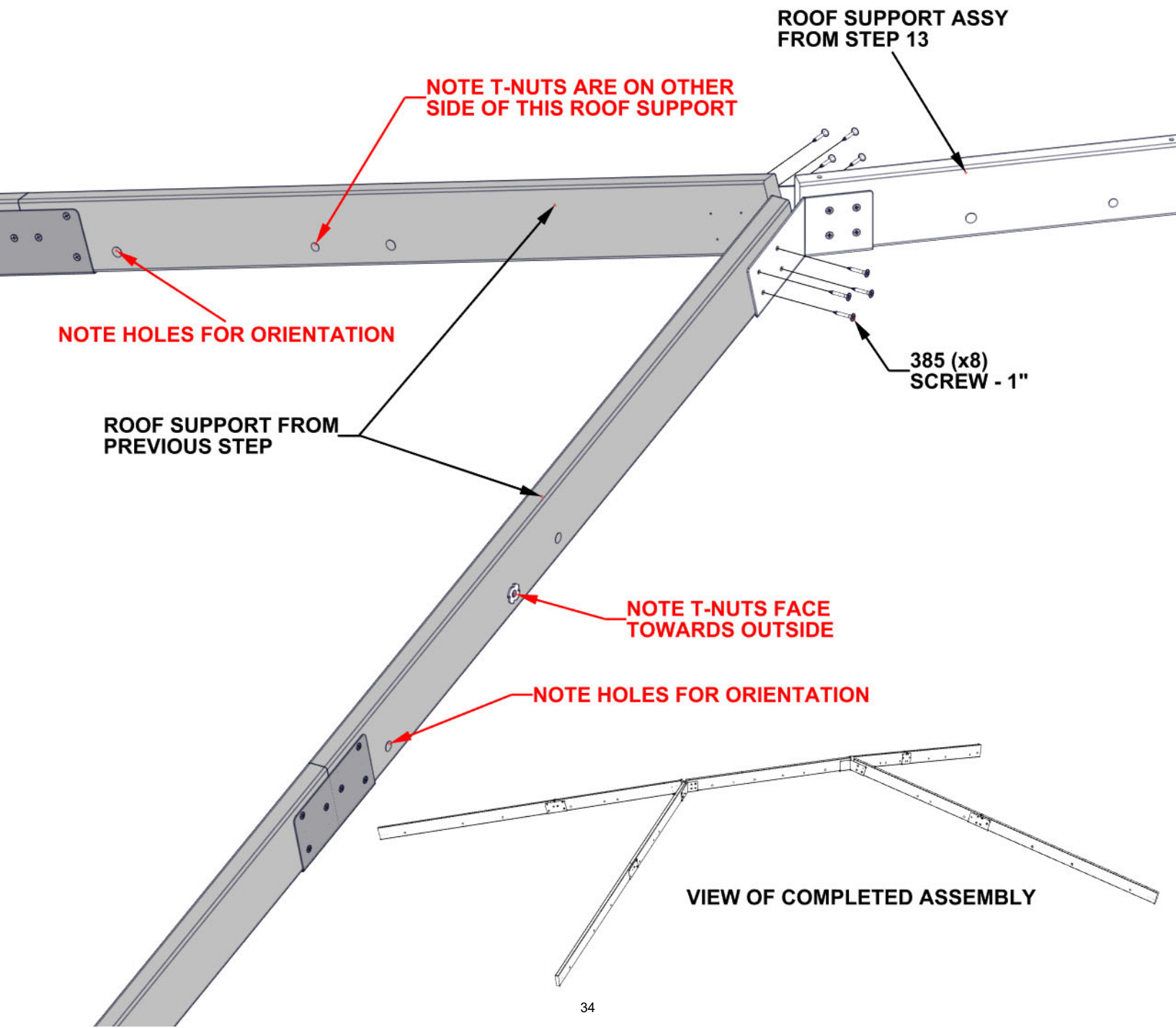
STEP 15 - ROOF SUPPORT ASSEMBLY

Qty	PART NUMBER	DESCRIPTION
16	H100385	SCREW PFH 8x1 BLK



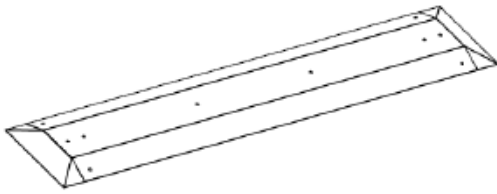
(x4) ROOF SUPPORT
FROM PREVIOUS STEP

REPEAT ON OPPOSITE END OF ROOF SUPPORT BOARD



STEP 16 - ROOF SUPPORT ASSEMBLY

Qty	PART NUMBER	DESCRIPTION
4	H100792	LAG SCREW WH 1/4x3 BLK
4	H101034	WEATHER PROOFING WASHER



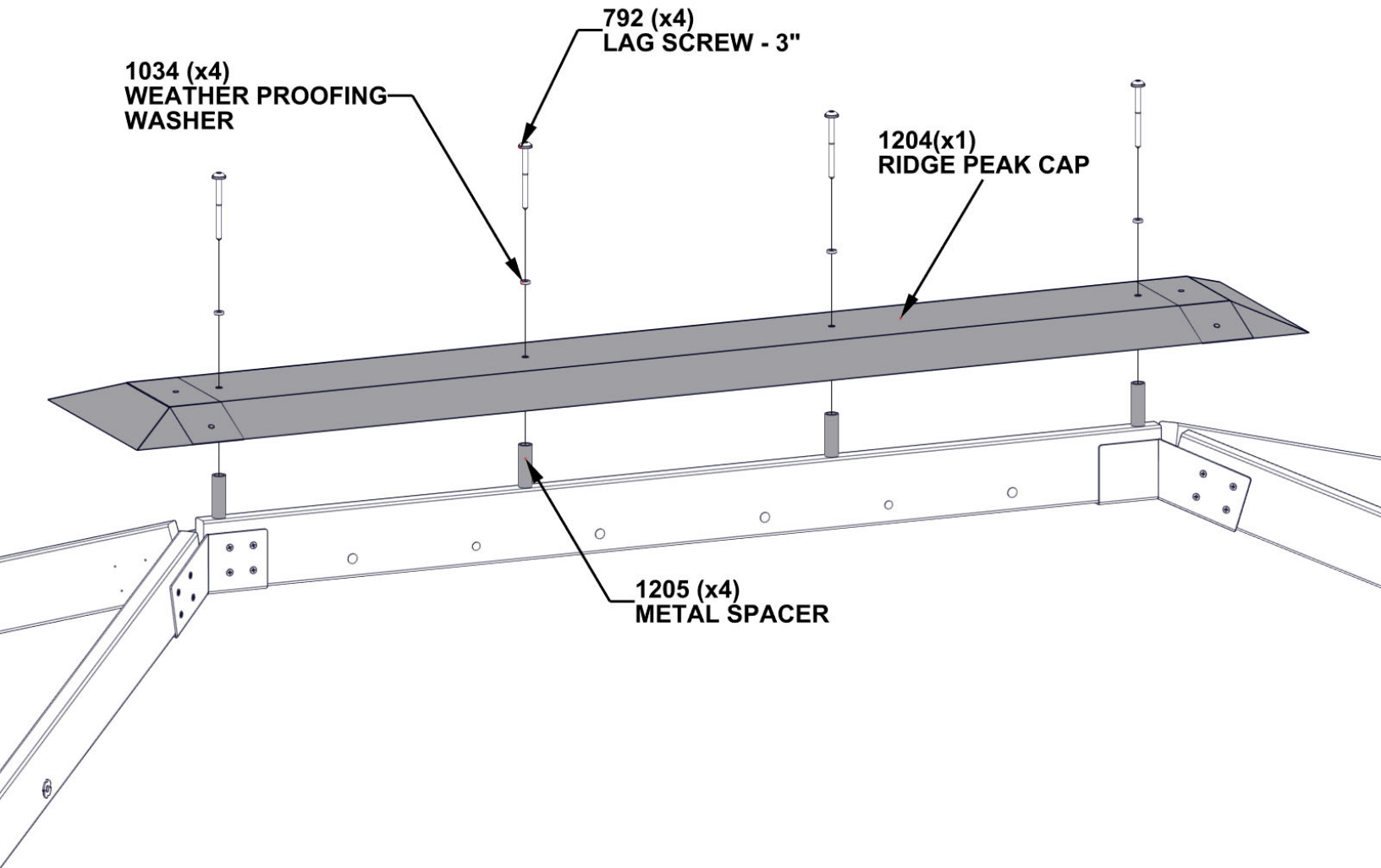
A4M01204 | RIDGE PEAK CAP
(1)



A4M01205 | METAL SPACER
(4)

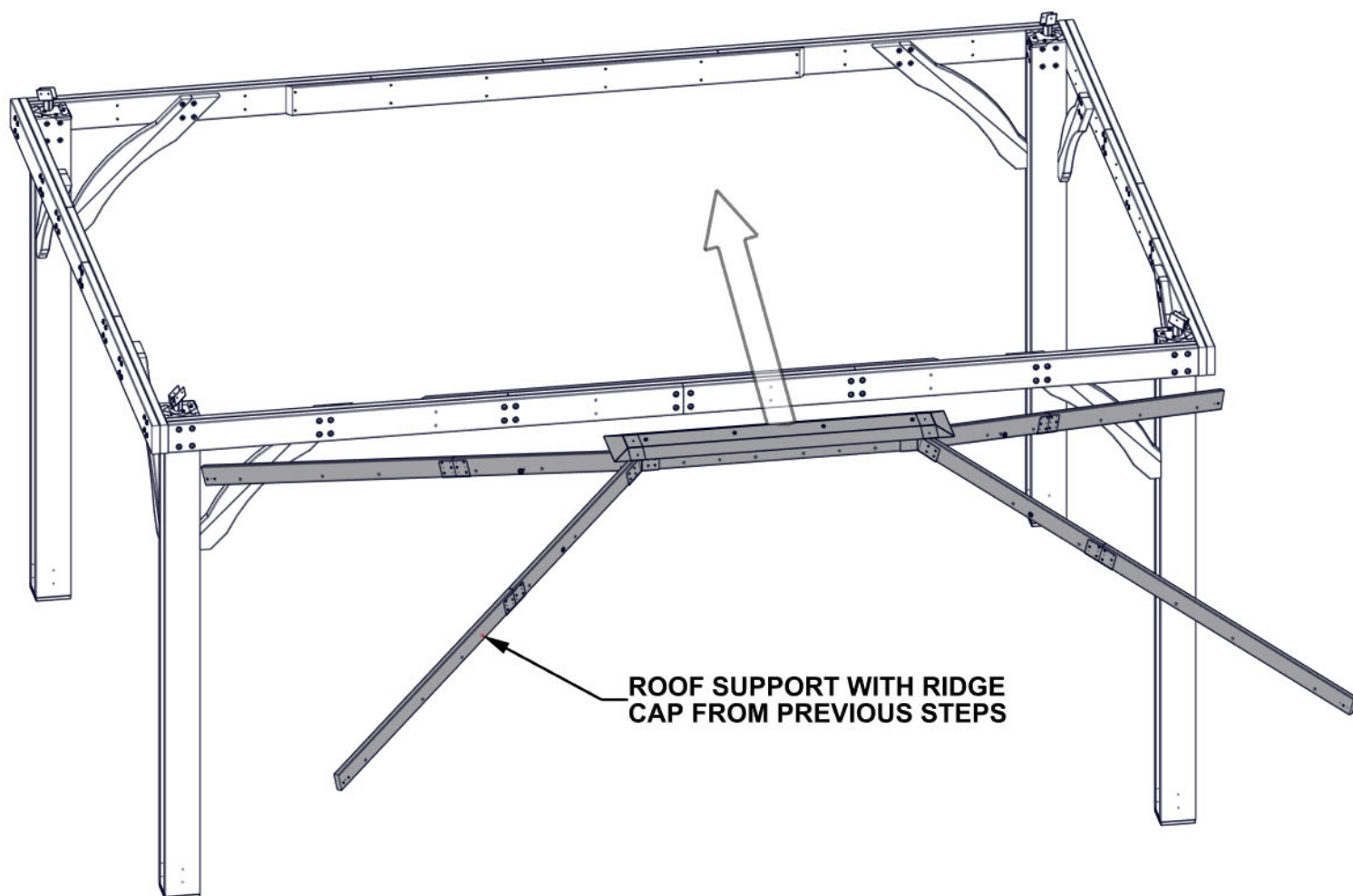
TIPS:
REMOVE PROTECTIVE BLUE FILM BEFORE ASSEMBLY

WARNING: GLOVES ARE RECOMMENDED WHEN HANDLING STEEL ROOF PIECES



STEP 17 - SUPPORT ASSEMBLY

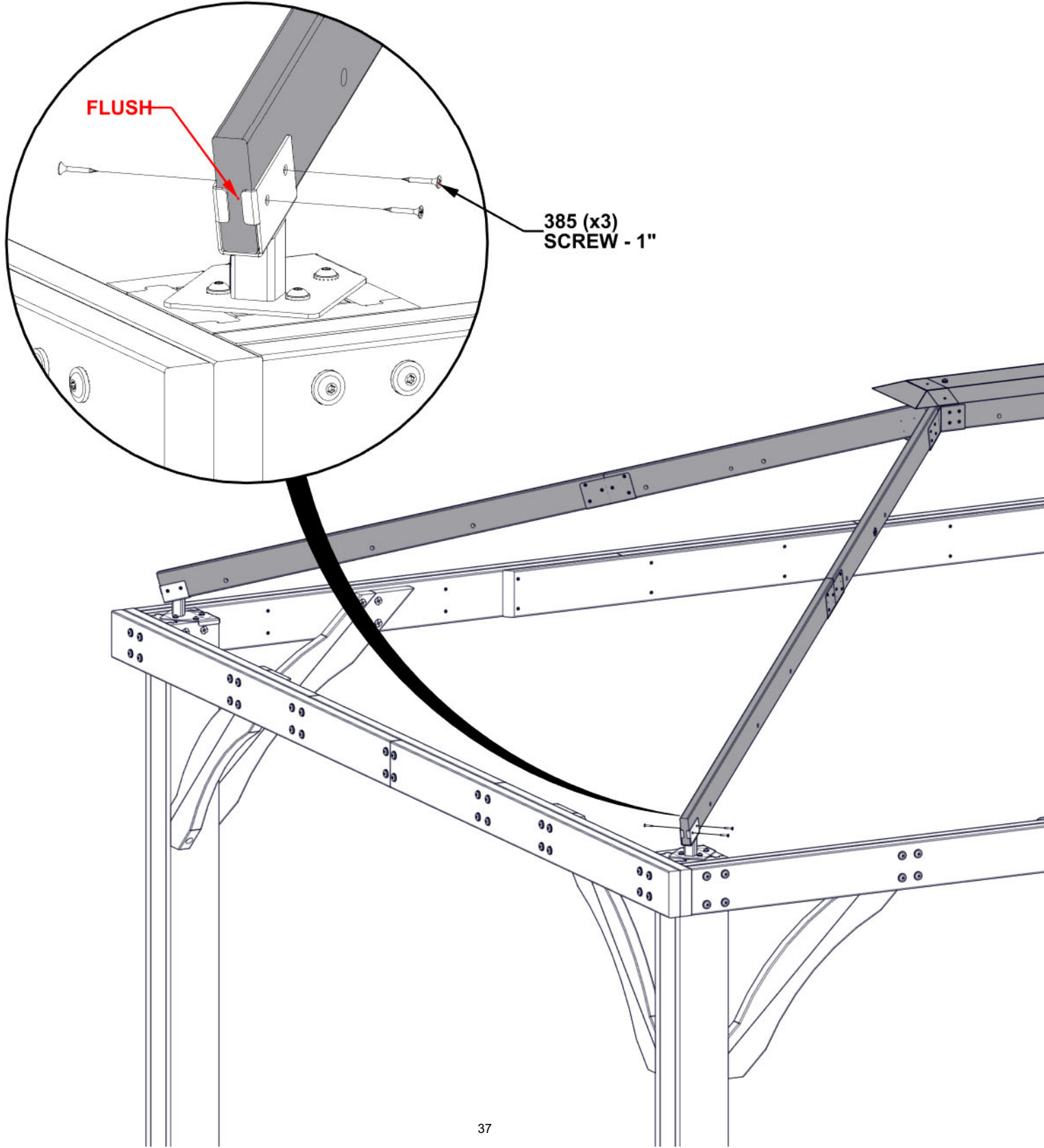
TIPS:
THREE PEOPLE ARE HELPFUL FOR THIS STEP.
POSITION A PERSON ON A LADDER IN THE CENTER OF THE BASE.
LIFT ROOF SUPPORT UP AND OVER THE 16FT SIDE AND INSERT INTO CORNER POST CLIPS.



STEP 18 - ROOF SUPPORT ASSEMBLY

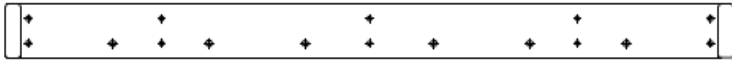
Qty	PART NUMBER	DESCRIPTION
12	H100385	SCREW PFH 8x1 BLK

REPEAT ON ALL FOUR POST

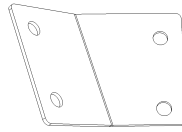


STEP 19 - 16FT ROOF PANEL ASSEMBLY

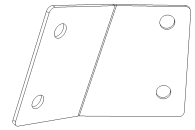
Qty	PART NUMBER	DESCRIPTION
4	H100171	BOLT WH 1/4x1 BLK
4	H100398	T-NUT 1/4 BLK



H03 | ROOF JOIST - W4L15288
(1) | 1"x3 3/8"x46 7/8" (24x86x580)

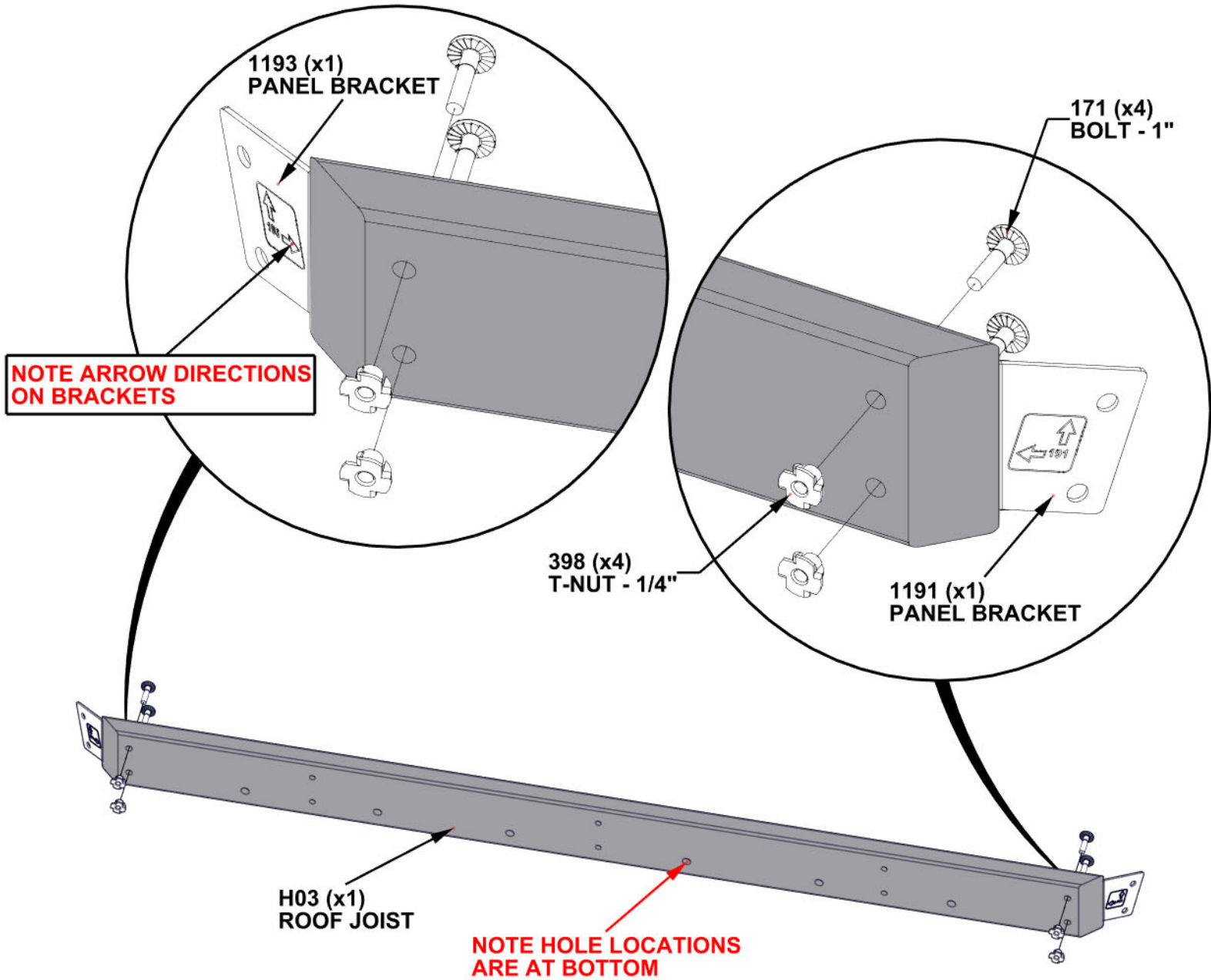


A4M01193 | PANEL BRACKET
(1)

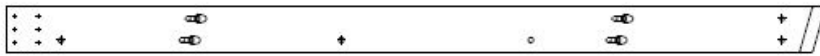


A4M01191 | PANEL BRACKET
(1)

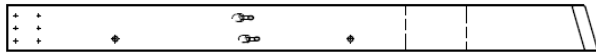
**INSERT T-NUTS FIRST
HAND TIGHTEN ONLY**



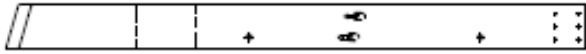
STEP 20A - 16FT ROOF PANEL ASSEMBLY



H09 | ROOF JOIST- W4L15297
(1) 1"x3 3/8"x61 1/4" (24x86x1556)



H10 | ROOF JOIST- W4L15298
(1) 1"x3 3/8"x44 1/2" (24x86x1130)

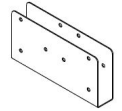


H05 | ROOF JOIST - W4L15293
(1) 1"x3 3/8"x44 1/2" (24x86x1130)

Qty	PART NUMBER	DESCRIPTION
24	H100385	SCREW PFH 8x1 BLK
4	H100398	T-NUT 1/4 BLK

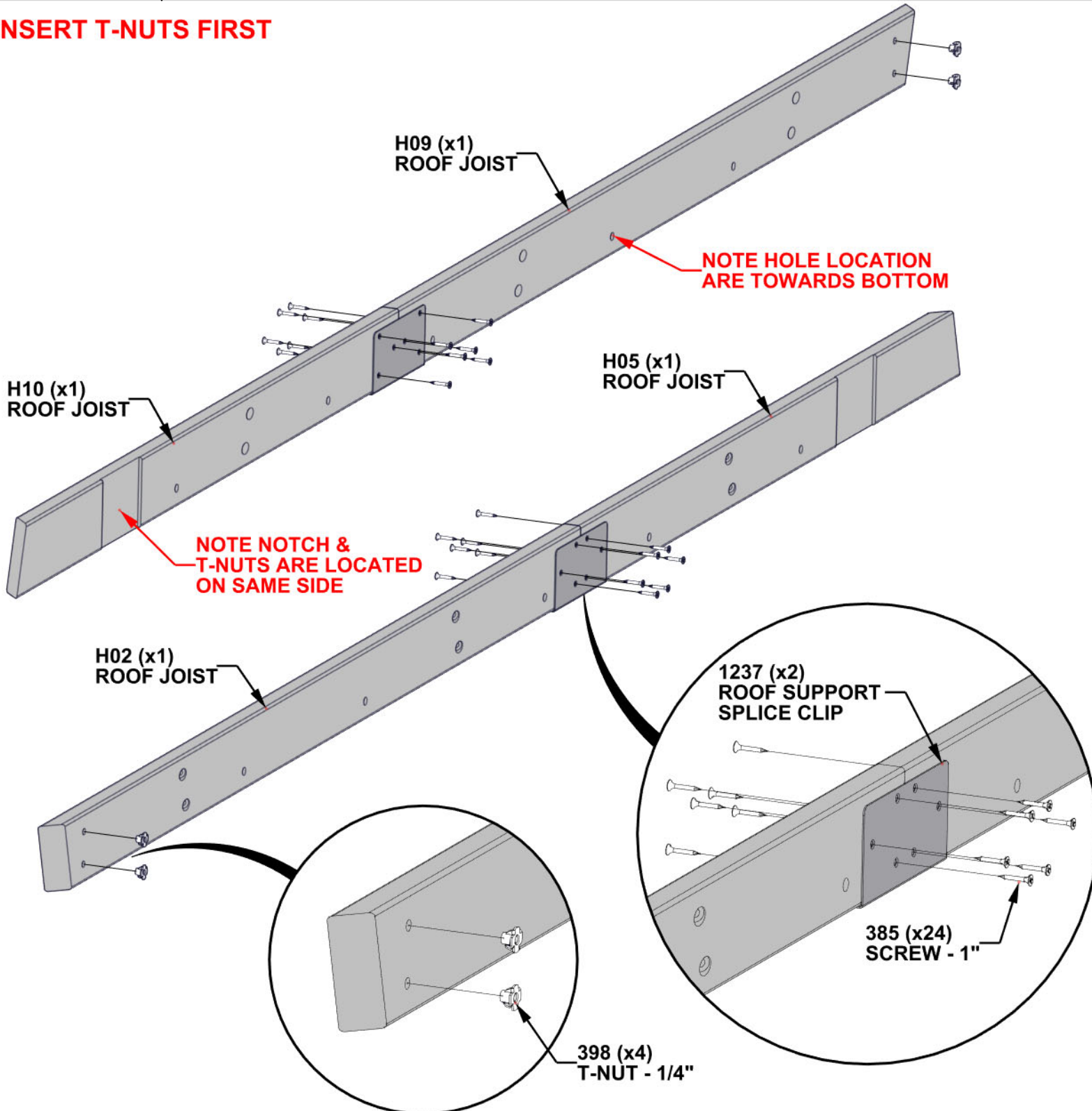


H02 | ROOF JOIST- W4L15289
(1) 1"x3 3/8"x61 1/4" (24x86x1556)



A4M01237 | ROOF SUPPORT
SPLICE CLIP
(2)

INSERT T-NUTS FIRST

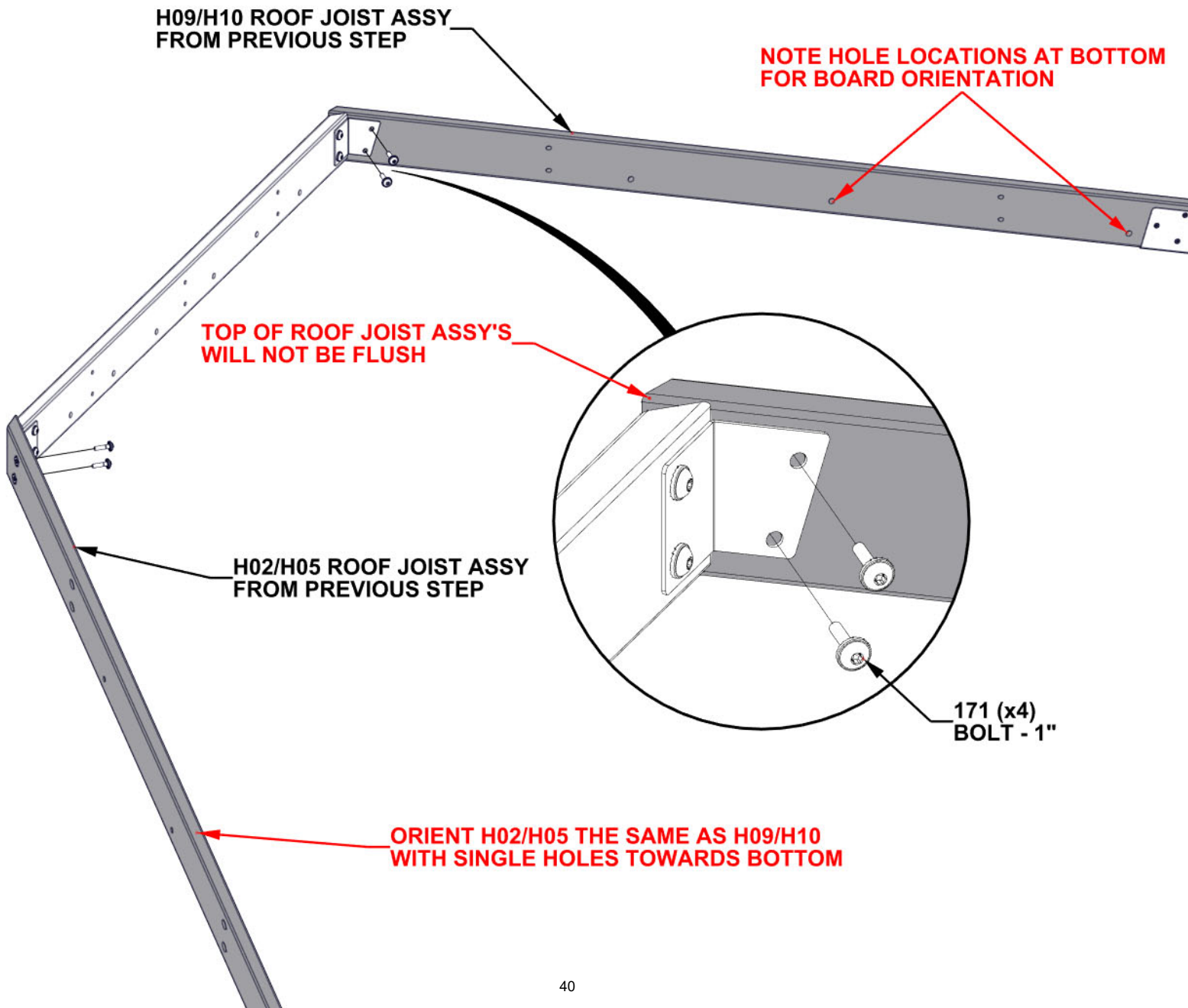


STEP 20B - 16FT ROOF PANEL ASSEMBLY

Qty	PART NUMBER	DESCRIPTION
4	H100171	BOLT WH 1/4x1 BLK

H09/H10 (x1) ROOF JOIST ASSY'S
FROM PREVIOUS STEP

H02/H05 (x1) ROOF JOIST ASSY'S
FROM PREVIOUS STEP

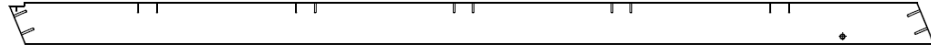


STEP 21A - 16FT ROOF PANEL ASSEMBLY

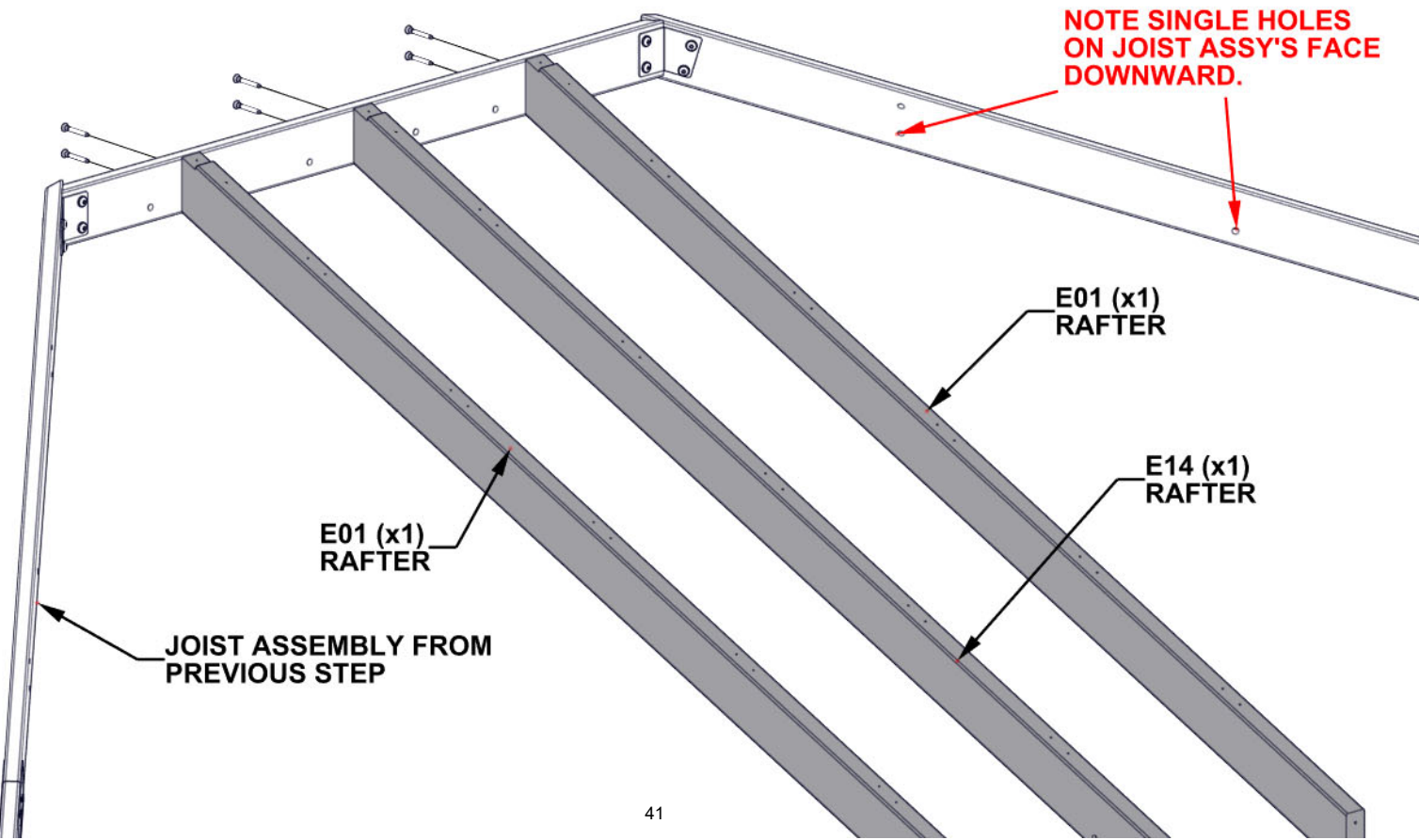
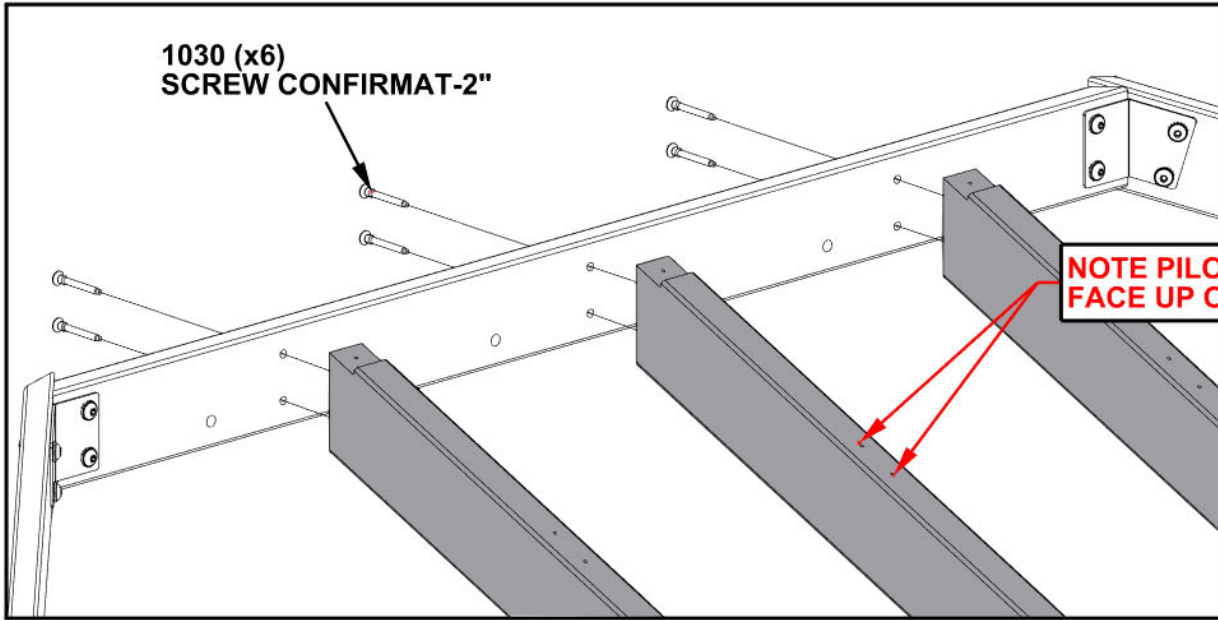
Qty	PART NUMBER	DESCRIPTION
6	H101030	SCREW 2" CONFIRMAT



E01 | RAFTER- W4L15312
 (2) | 1 3/8"x3 3/8"x76 11/16" (36x86x1948)

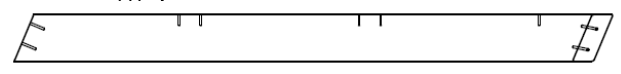
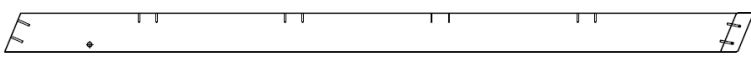
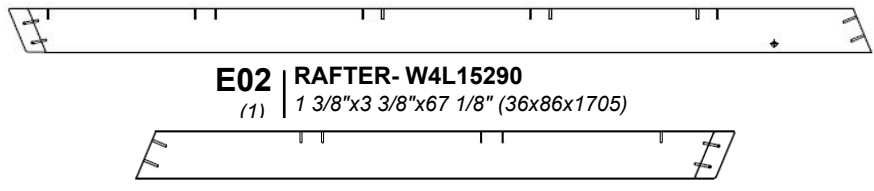
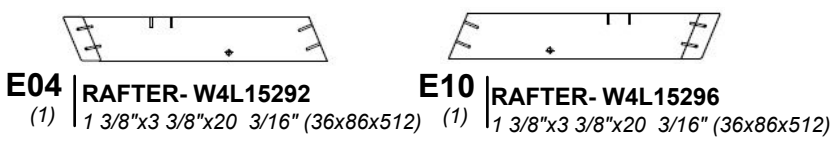


E14 | RAFTER- W4L15299
 (1) | 1 3/8"x3 3/8"x76 11/16" (36x86x1948)

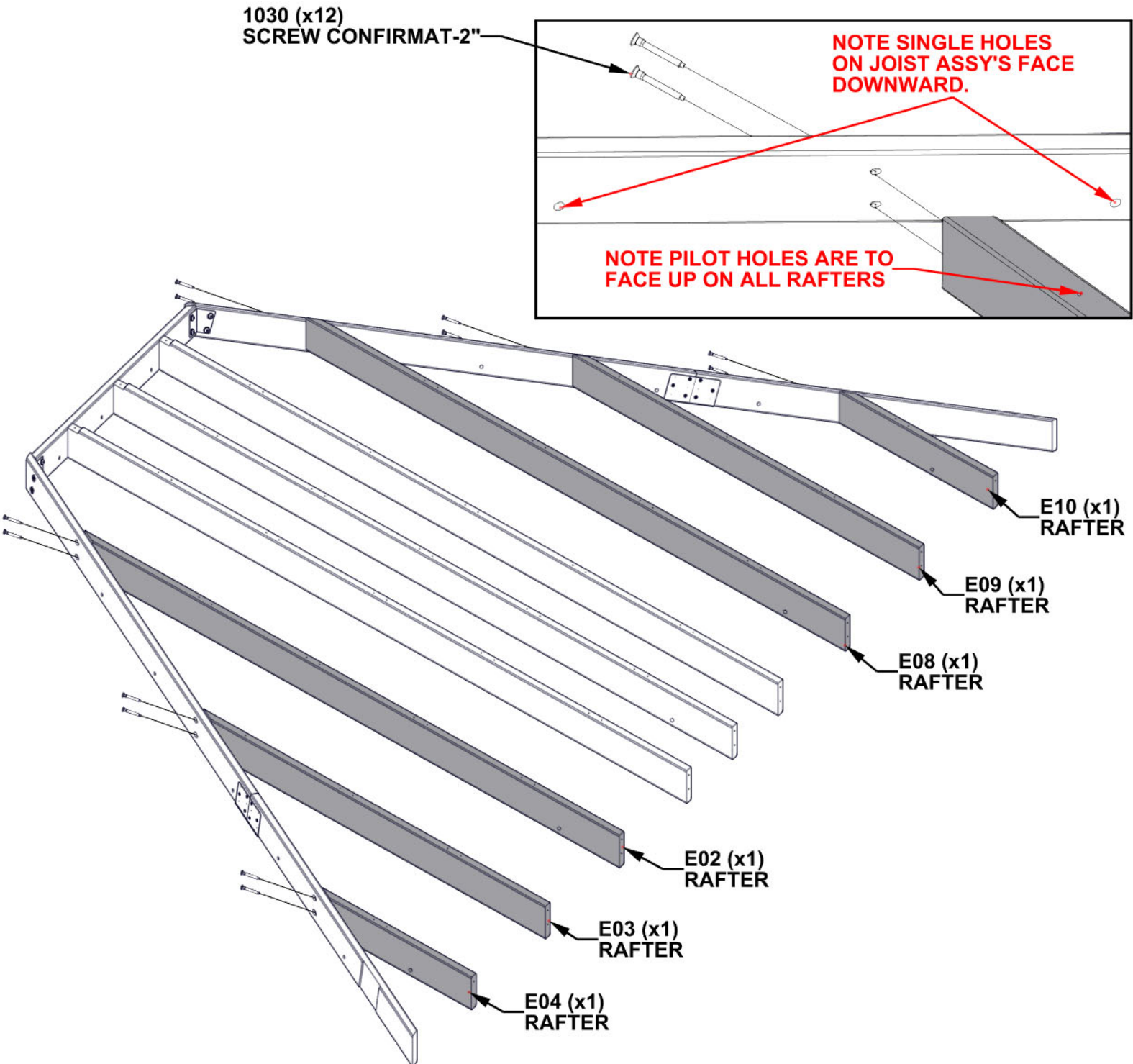
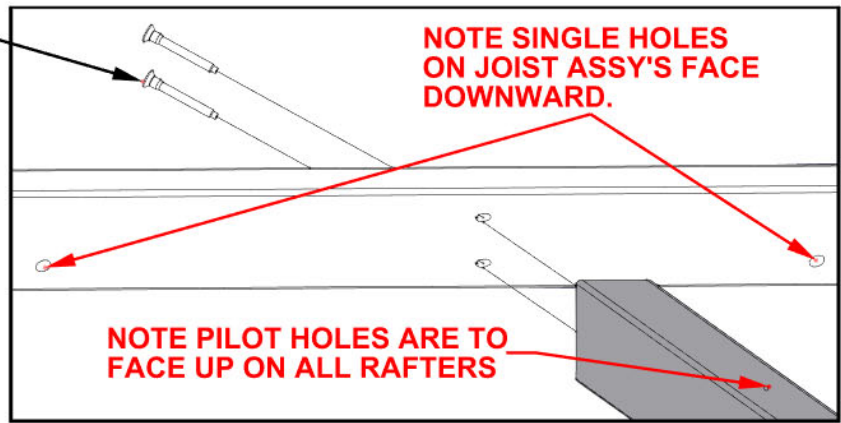


STEP 21B - 16FT ROOF PANEL ASSEMBLY

Qty	PART NUMBER	DESCRIPTION
12	H101030	SCREW 2" CONFIRMAT



1030 (x12)
SCREW CONFIRMAT-2"

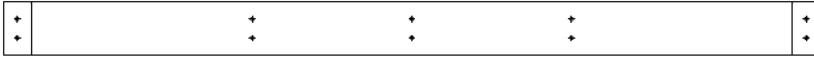


STEP 22A - 16FT ROOF PANEL ASSEMBLY

Qty	PART NUMBER	DESCRIPTION
4	H100382	SCREW PFH 8x1 3/4 BLK
18	H101030	SCREW 2" CONFIRMAT

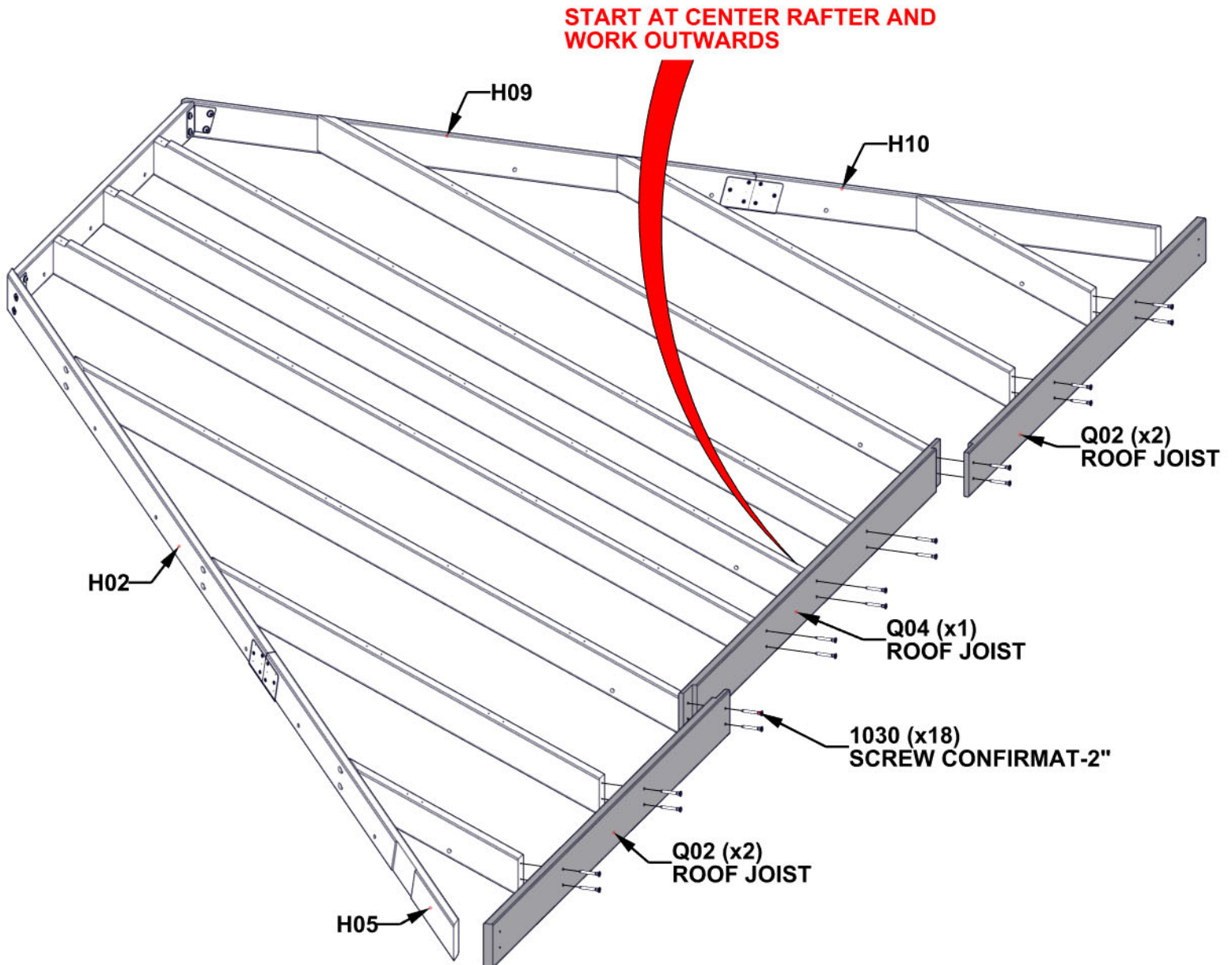


Q02 | ROOF JOIST- W4L15300
 (2) | 1"x4 7/16"x63 13/16" (24x112x1605)



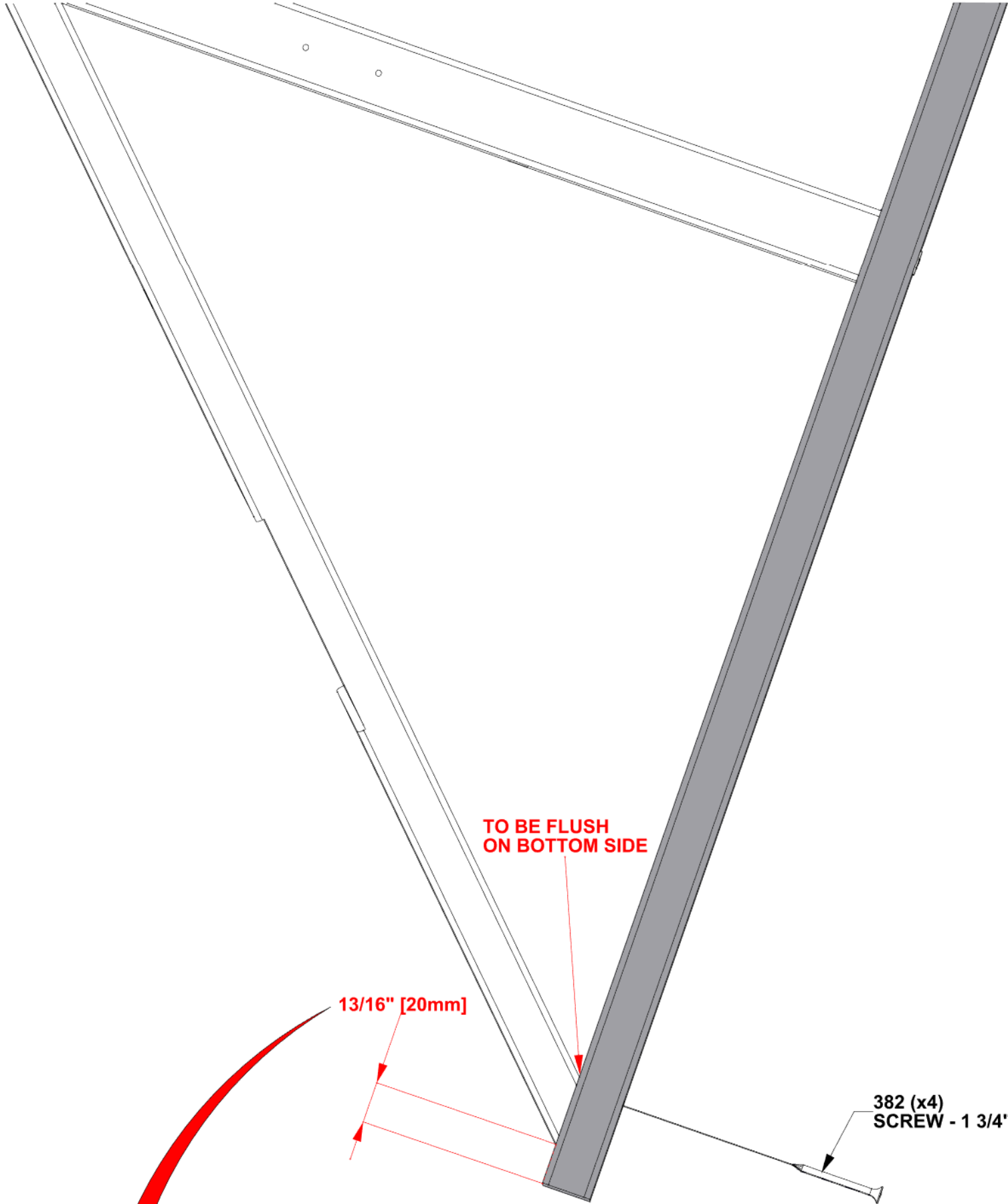
Q04 | ROOF JOIST- W4L1301
 (1) | 1"x4 7/16"x68 1/2" (24x112x1740)

TIP: RAFTERS MAY NEED TO BE LOOSENED UP TO ATTACH Q02 TO H05/H10



STEP 22B - 164FT ROOF PANEL ASSEMBLY

TIPS:
USING THE Q02 BOARD AS A GUID AND A 1/8" DRILL BIT, DRILL PILOT HOLES INTO THE H05 BOARD
USING THE DIMENSION BELOW.
REPEAT ON OPPOSITE END WITH H10 BOARD.



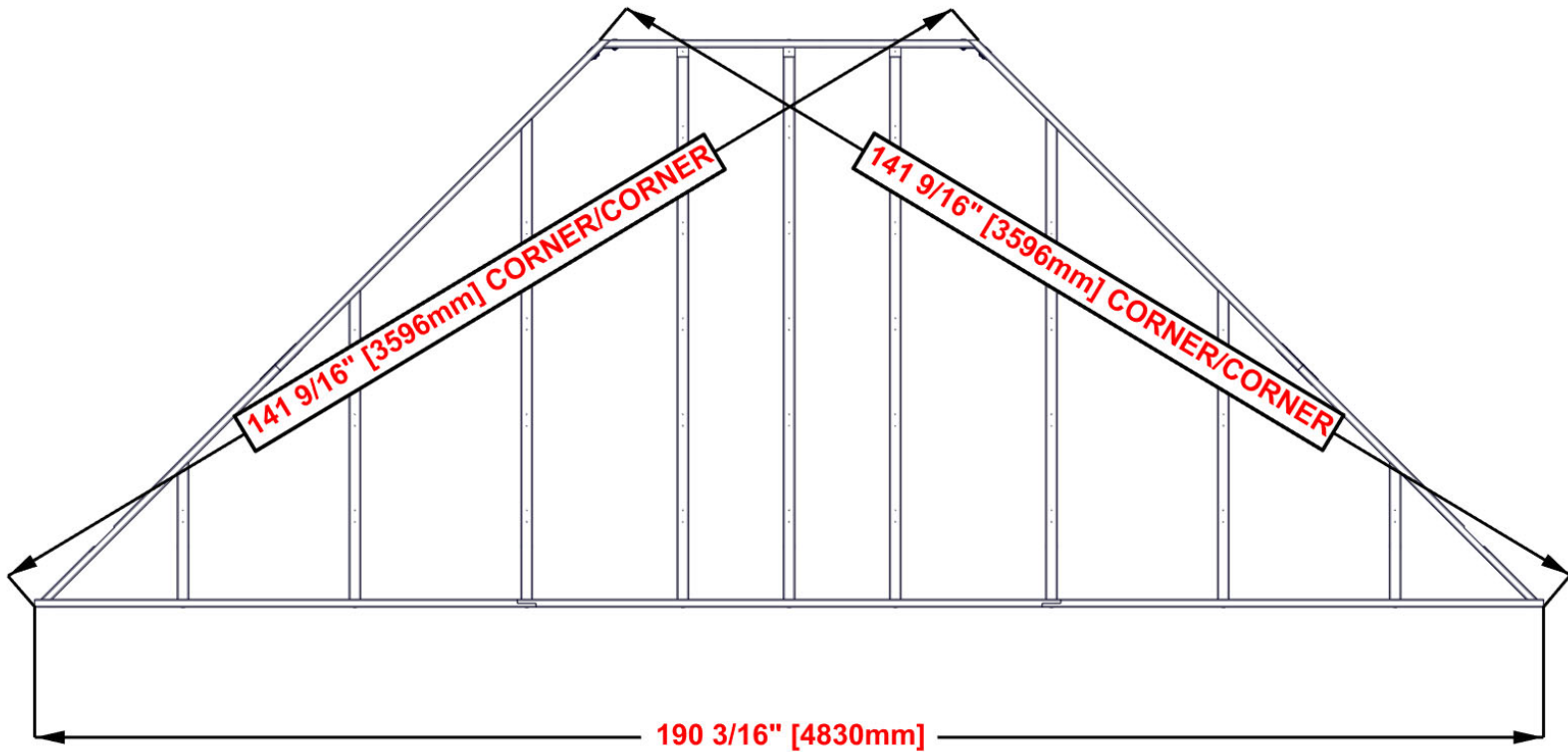
THIS DIMENSION IS CRITICAL TO THE PANEL ASSEMBLY

STEP 22C - 16FT ROOF PANEL ASSEMBLY

TIP: LOOSEN HARDWARE TO ADJUST FOR SQUARING IF NEEDED.

CRITICAL:

- SQUARE UNIT BEFORE PROCEEDING TO NEXT STEPS.
- THE BELOW DIMENSIONS ARE CRITICAL TO THE FINAL ROOF ASSEMBLY.
- MEASUREMENTS SHOULD BE WITHIN +/- 1/4"
- MEASUREMENTS OUTSIDE OF TOLERANCE WILL LEAD TO THE INABILITY TO ASSEMBLE THE ROOF.

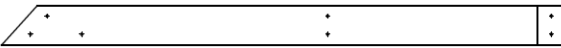


STEP 23A - 16FT ROOF PANEL ASSEMBLY

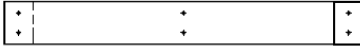


T01 | PURLIN - W4L15227
 (1) | 1"x1 5/16"x51 1/2" (24x34x1308)

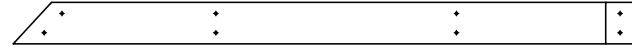
Qty	PART NUMBER	DESCRIPTION
3	H100200	SCREW PFH 8x1 1/2 BLK
42	H100391	SCREW PFH 8x2 BLK



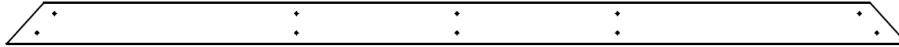
H16 | PURLIN - W4L15305
 (2) | 1"x3 3/8"x49 9/16" (24x86x1259)



H17 | PURLIN - W4L15306
 (1) | 1"x1 3/8"x29 1/8" (24x86x740)

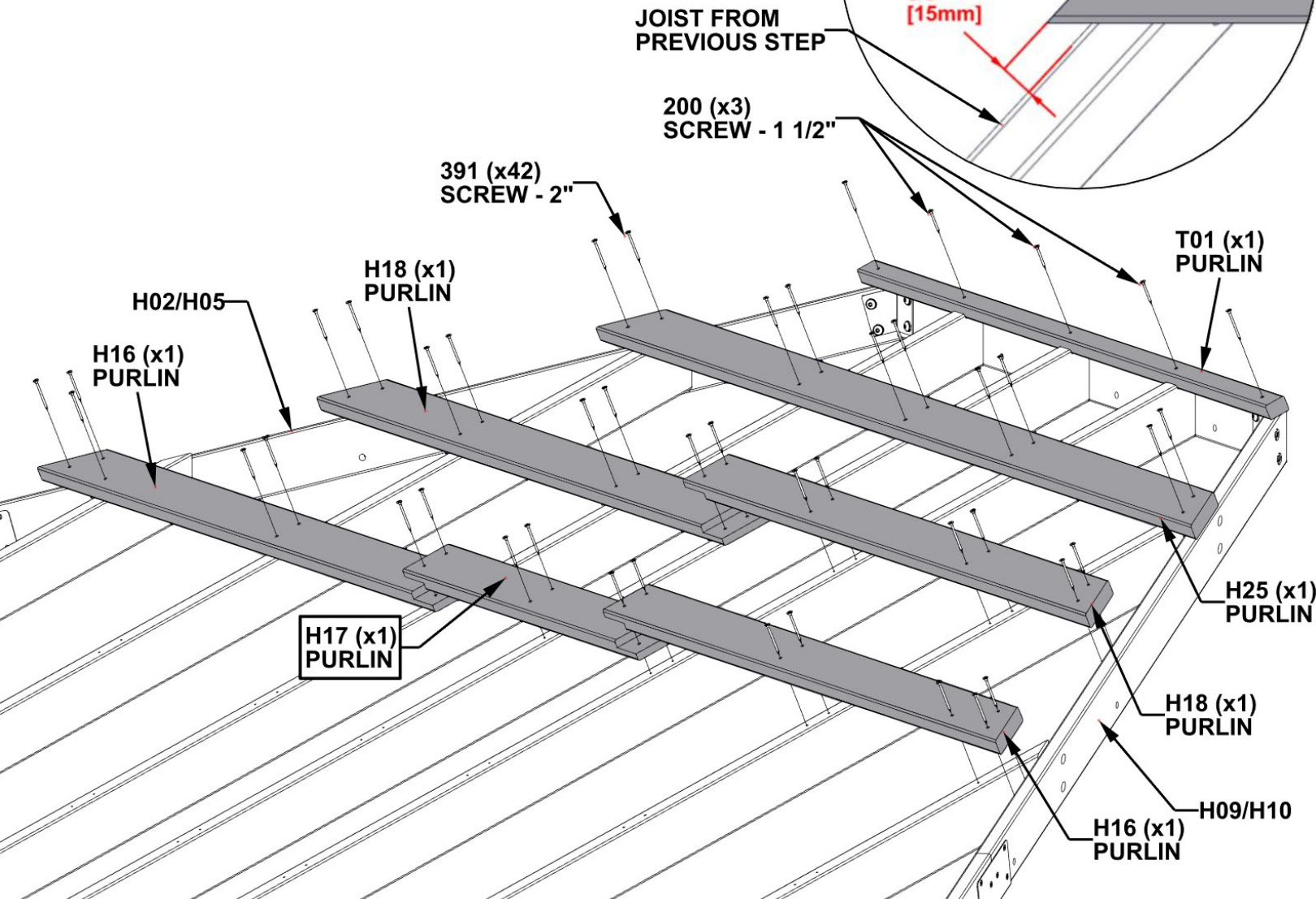
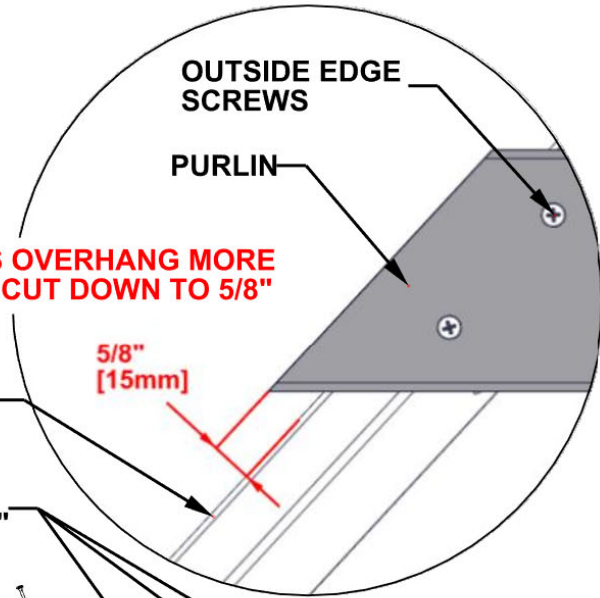


H18 | PURLIN - W4L15307
 (2) | 1"x3 3/8"x50 13/16" (24x86x1291)

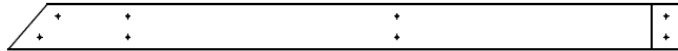


H25 | PURLIN - W4L15308
 (1) | 1"x3 3/8"x75 1/16" (24x86x1907)

- TIPS:**
- ALIGN PURLIN PILOT HOLES WITH RAFTER PILOT HOLES
 - ATTACH SCREWS FROM THE CENTER AND WORK OUTWARDS.
 - H02/H05 AND H09/H10 BOARDS DO NOT HAVE PILOT HOLES FOR OUTSIDE EDGE SCREWS.
 - USING THE PURLINS AS A GUIDE AND A 1/8" DRILL BIT, DRILL PILOT HOLES INTO H02/H05 AND H09/H10 BOARDS.

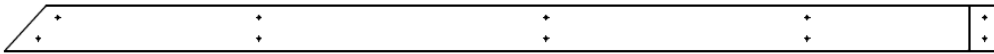


STEP 23B - 16FT ROOF PANEL ASSEMBLY



H14 | PURLIN - W4L15303
(2) 1"x3 3/8"x54 1/8" (24x86x1374)

Qty	PART NUMBER	DESCRIPTION
40	H100391	SCREW PFH 8x2 BLK



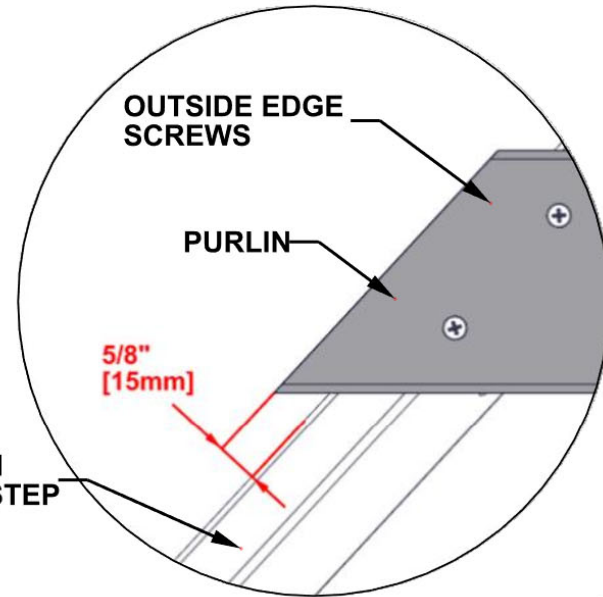
H15 | PURLIN - W4L15304
(2) 1"x3 3/8"x75 1/16" (24x86x1906)



H13 | PURLIN - W4L15302
(1) 1"x3 3/8"x68 1/2" (24x86x1740)

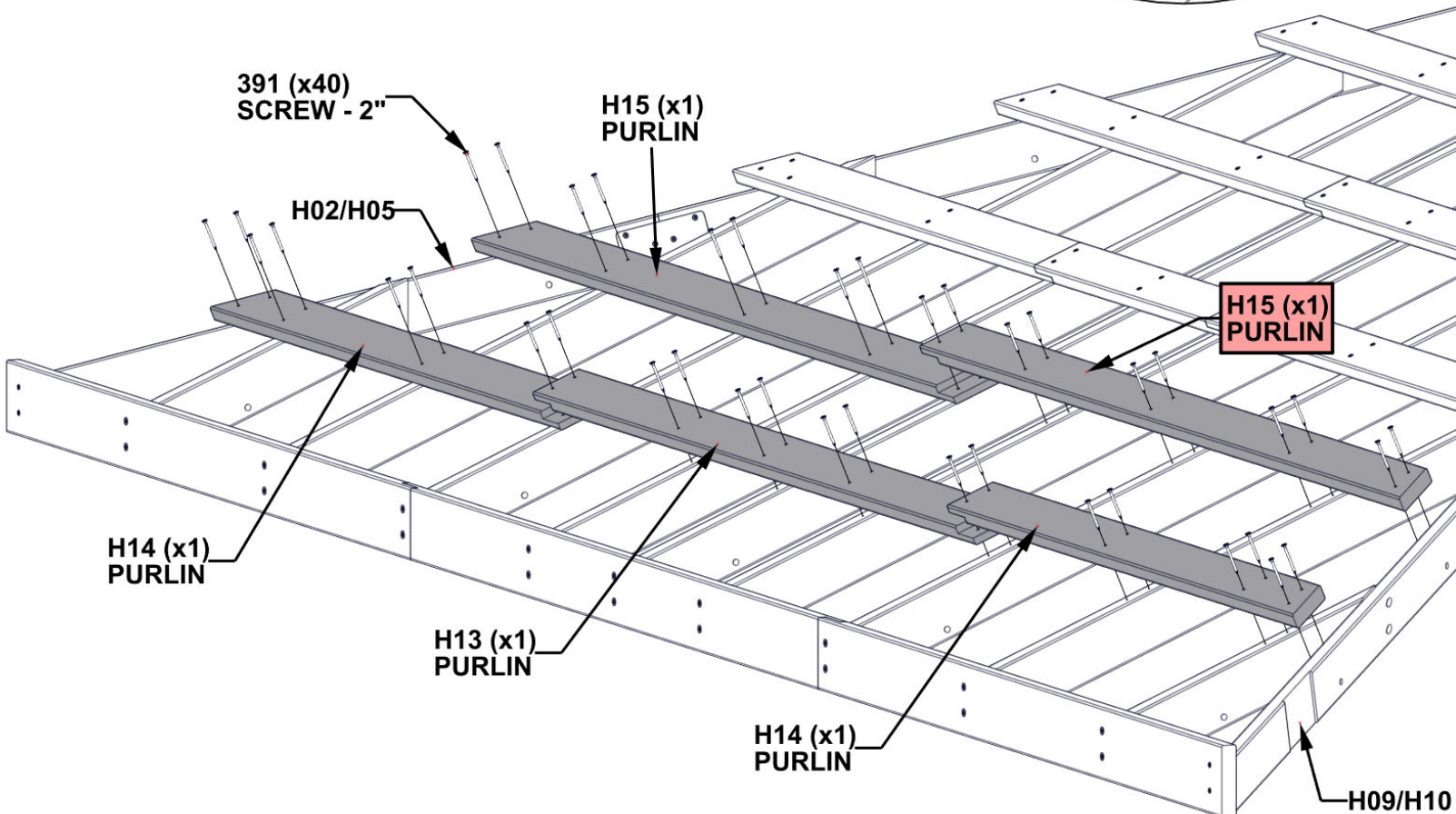
TIPS:

- ALIGN PURLIN PILOT HOLES WITH RAFTER PILOT HOLES
- ATTACH SCREWS FROM THE CENTER AND WORK OUTWARDS.
- H02/H05 AND H09/H10 BOARDS DO NOT HAVE PILOT HOLES FOR OUTSIDE EDGE SCREWS.
- USING THE PURLINS AS A GUIDE AND A 1/8" DRILL BIT, DRILL PILOT HOLES INTO H02/H05 AND H09/H10 BOARDS.

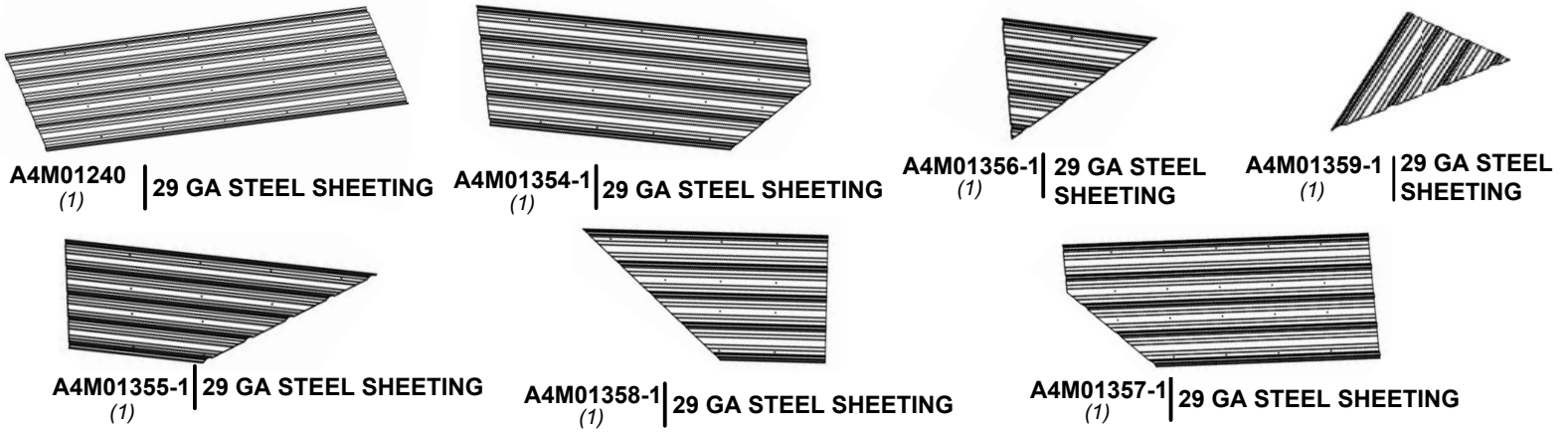


IF PURLINS OVERHANG MORE THAN 5/8", CUT DOWN TO 5/8"

JOIST FROM PREVIOUS STEP



STEP 24 - 16FT ROOF PANEL ASSEMBLY

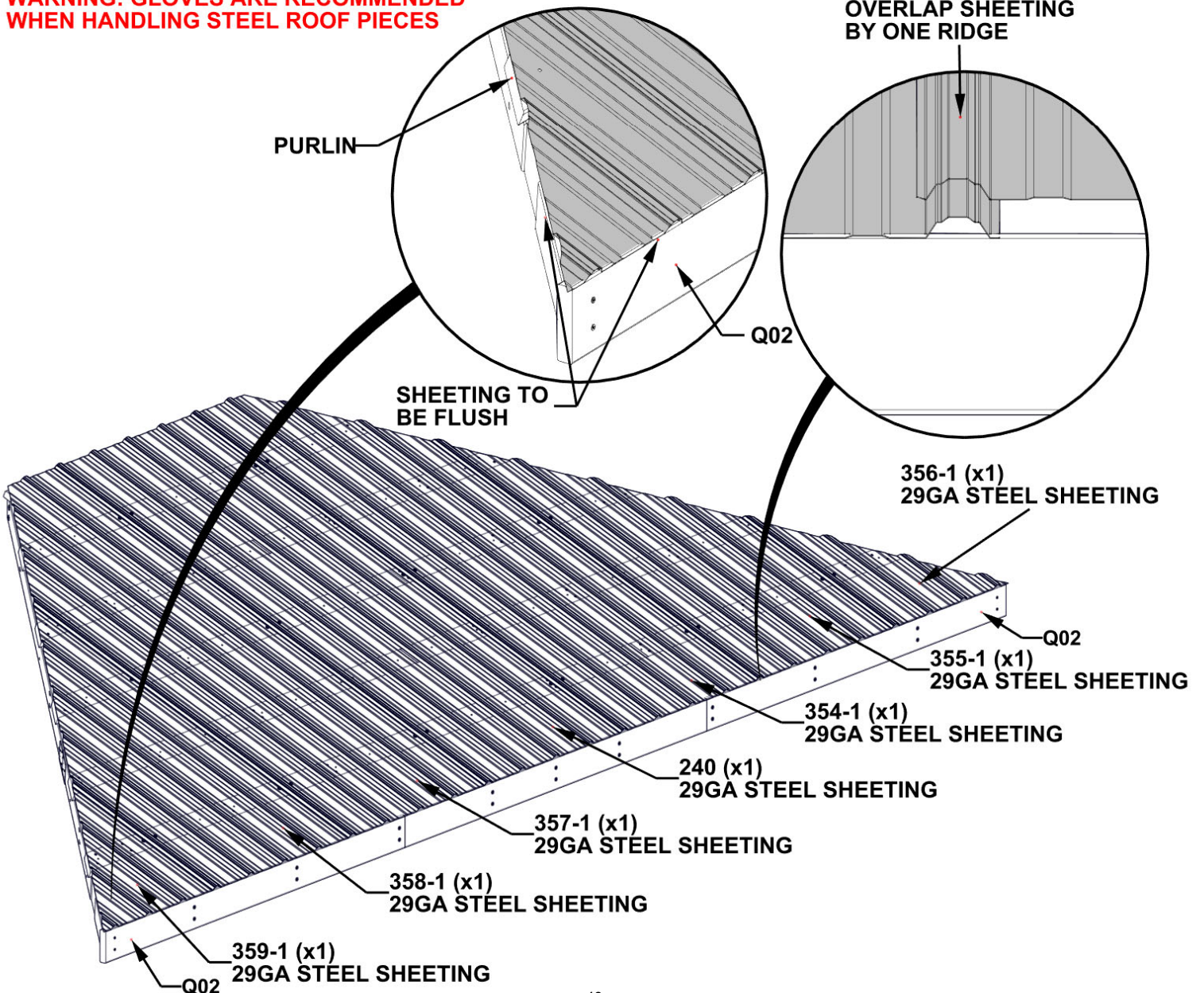


TIPS:

- REMOVE PROTECTIVE BLUE FILM.
- STARTING IN THE CENTER, PLACE PANELS AS SHOWN BELOW.
- OVERLAP PANELS BY ONE RIDGE.
- PANELS SHOULD BE FLUSH WITH PURLIN ENDS AND Q02 ROOF JOIST.
- ONCE SHEETING IS IN PLACE, IT IS RECOMMENDED TO ADD H100833 SCREWS IN THE MIDDLE OF THE SHEETS TO HOLD SHEETING FOR THE NEXT STEP.

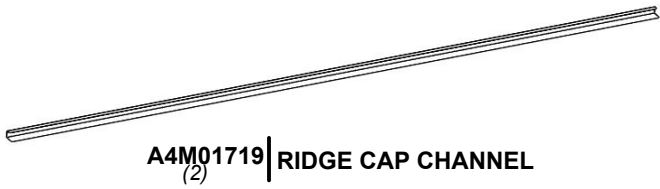
Qty	PART NUMBER	DESCRIPTION
24	H100833	SCREW WOODGRIP 10-16x3/4

WARNING: GLOVES ARE RECOMMENDED WHEN HANDLING STEEL ROOF PIECES

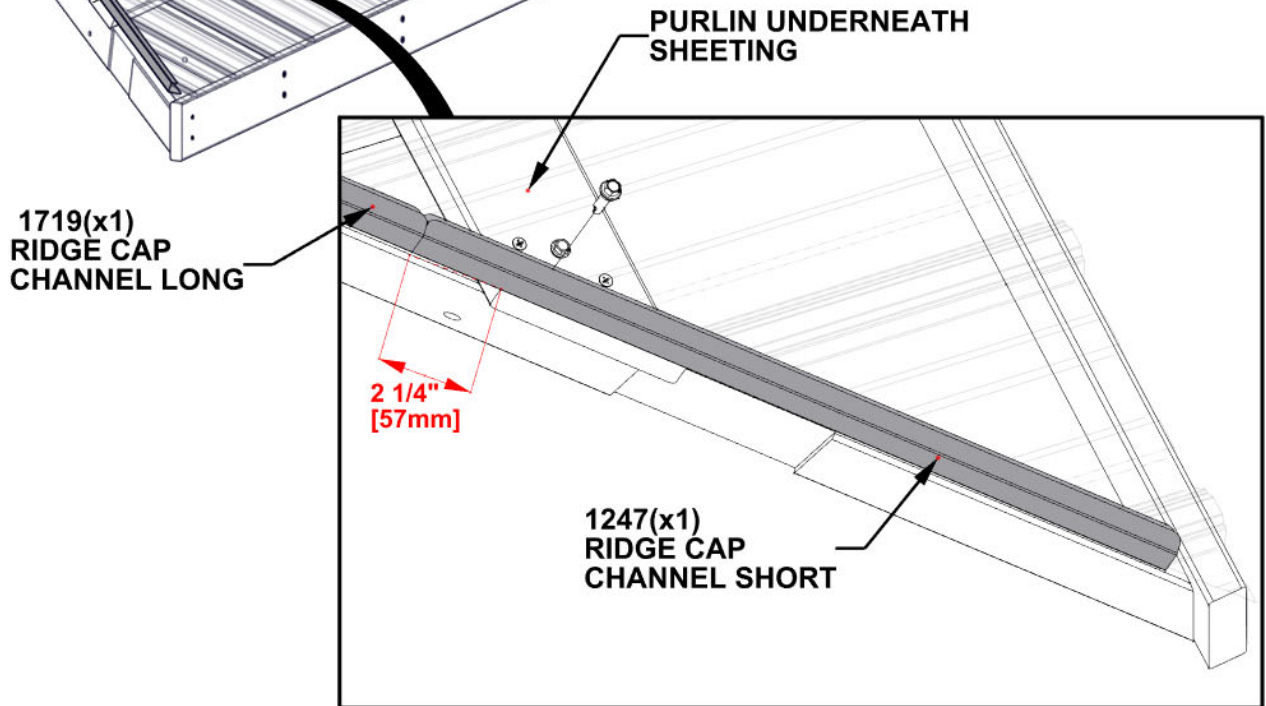
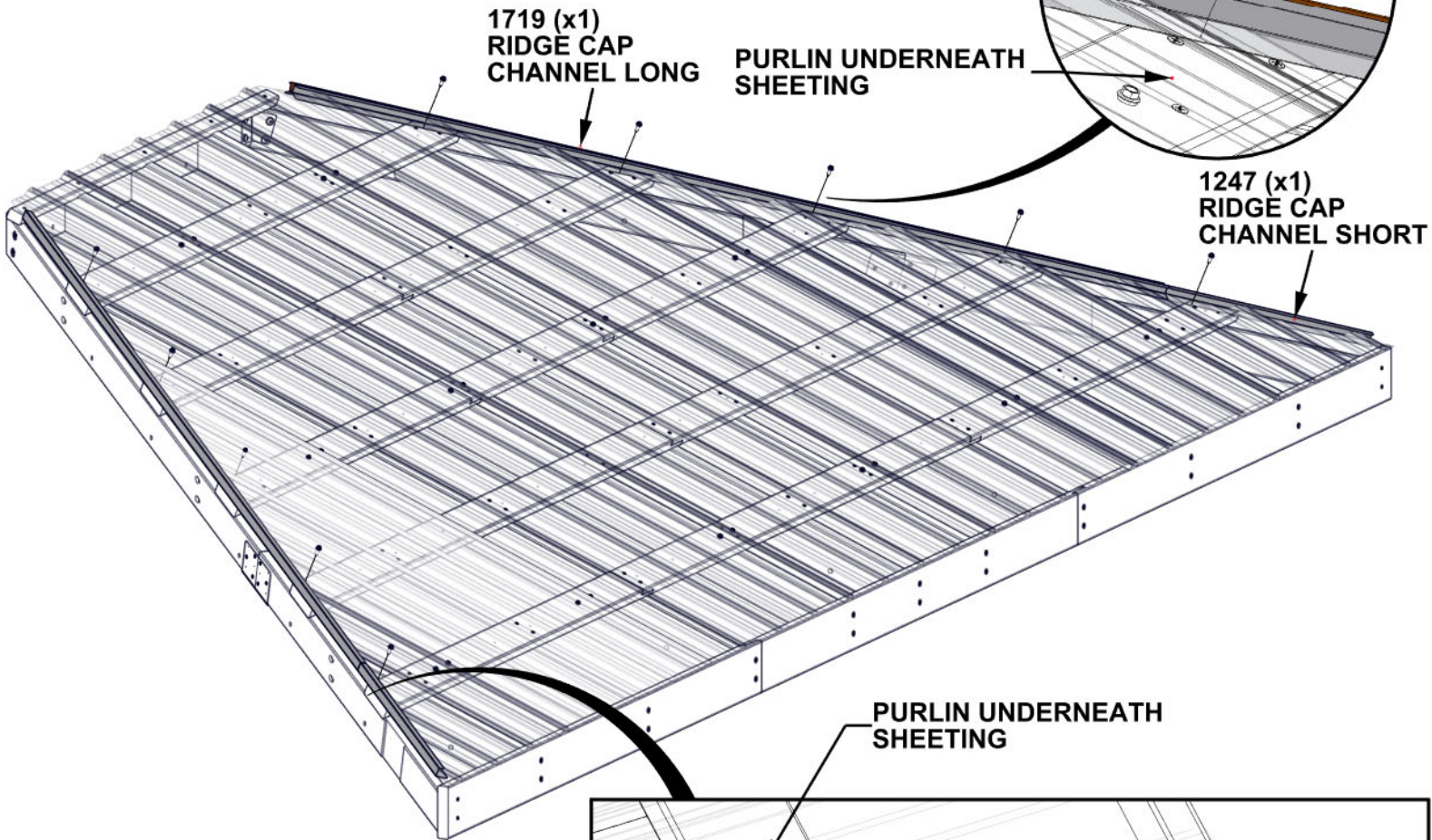
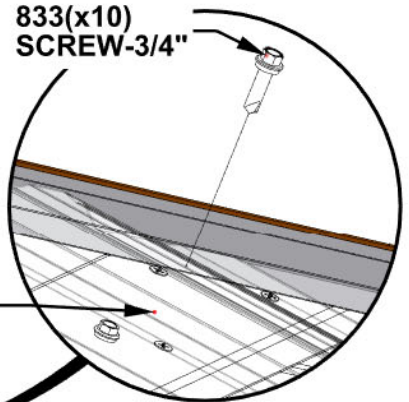


STEP 25 - 16FT ROOF PANEL ASSEMBLY

Qty	PART NUMBER	DESCRIPTION
10	H100833	SCREW WOODGRIP 10-16x3/4

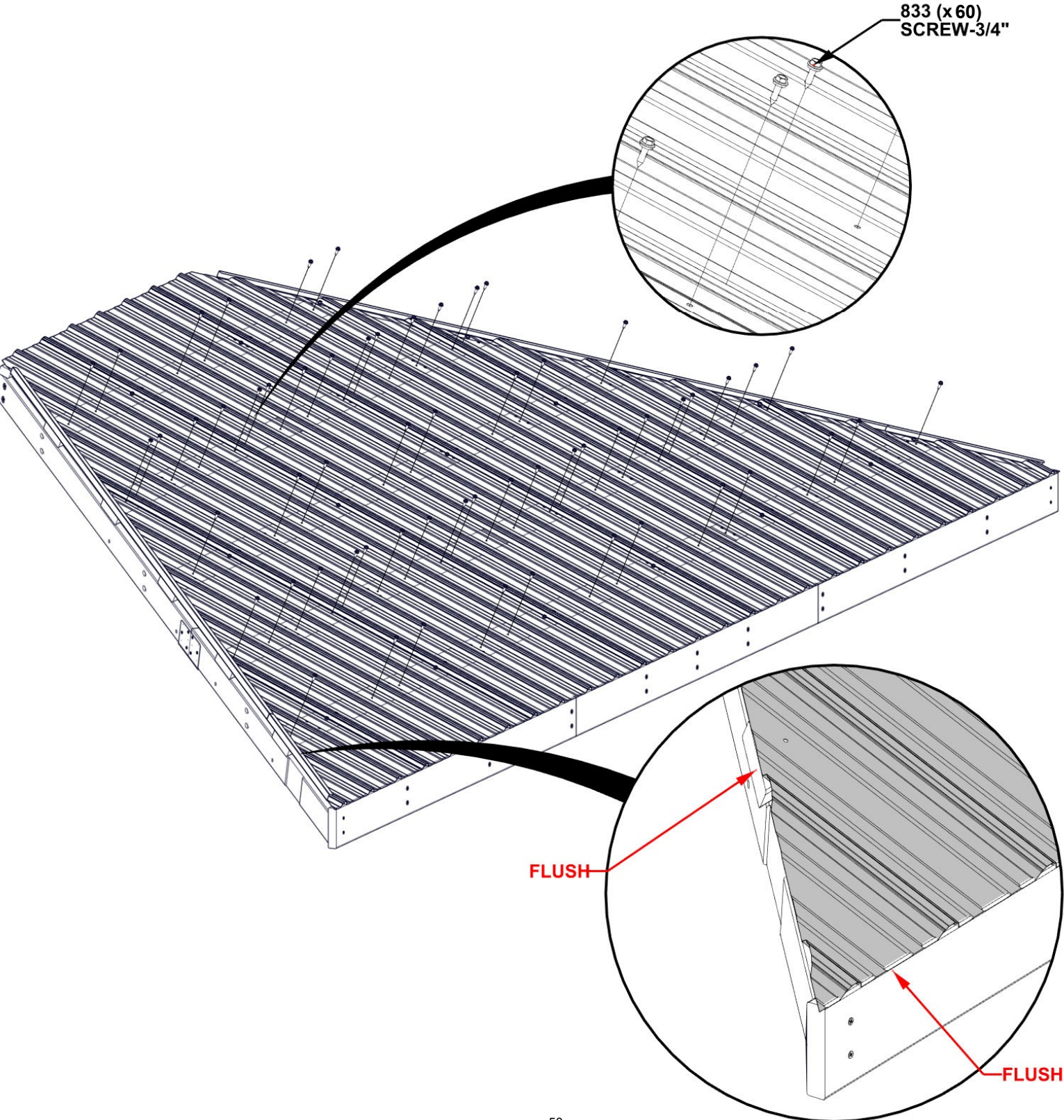


- TIPS:**
- POSITION THE RIDGE CAP CHANNEL OVER THE EDGE OF THE ROOF PANELS WITH THE WIDER SIDE OF THE CHANNEL ON THE BOTTOM.
 - MAKE SURE THE PANELS ARE FULLY SEATED INTO THE CHANNEL.
 - FLUSH THE TOP OF THE CHANNEL WITH THE TOP OF THE METAL PANELS.



STEP 26 - 16FT ROOF PANEL ASSEMBLY

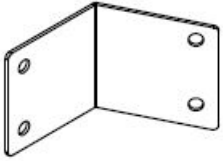
Qty	PART NUMBER	DESCRIPTION
60	H100833	SCREW WOODGRIP 10-16x3/4



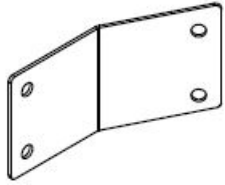
**REPEAT 16FT ROOF PANEL
ASSEMBLY STEPS 19 THROUGH 26**

STEP 27 - 12FT ROOF PANEL ASSEMBLY

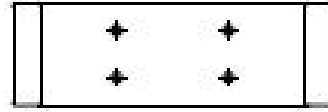
Qty	PART NUMBER	DESCRIPTION
4	H100171	BOLT WH 1/4x1 BLK
4	H100398	T-NUT 1/4 BLK



A4M01238 (1) | PANEL BRACKET

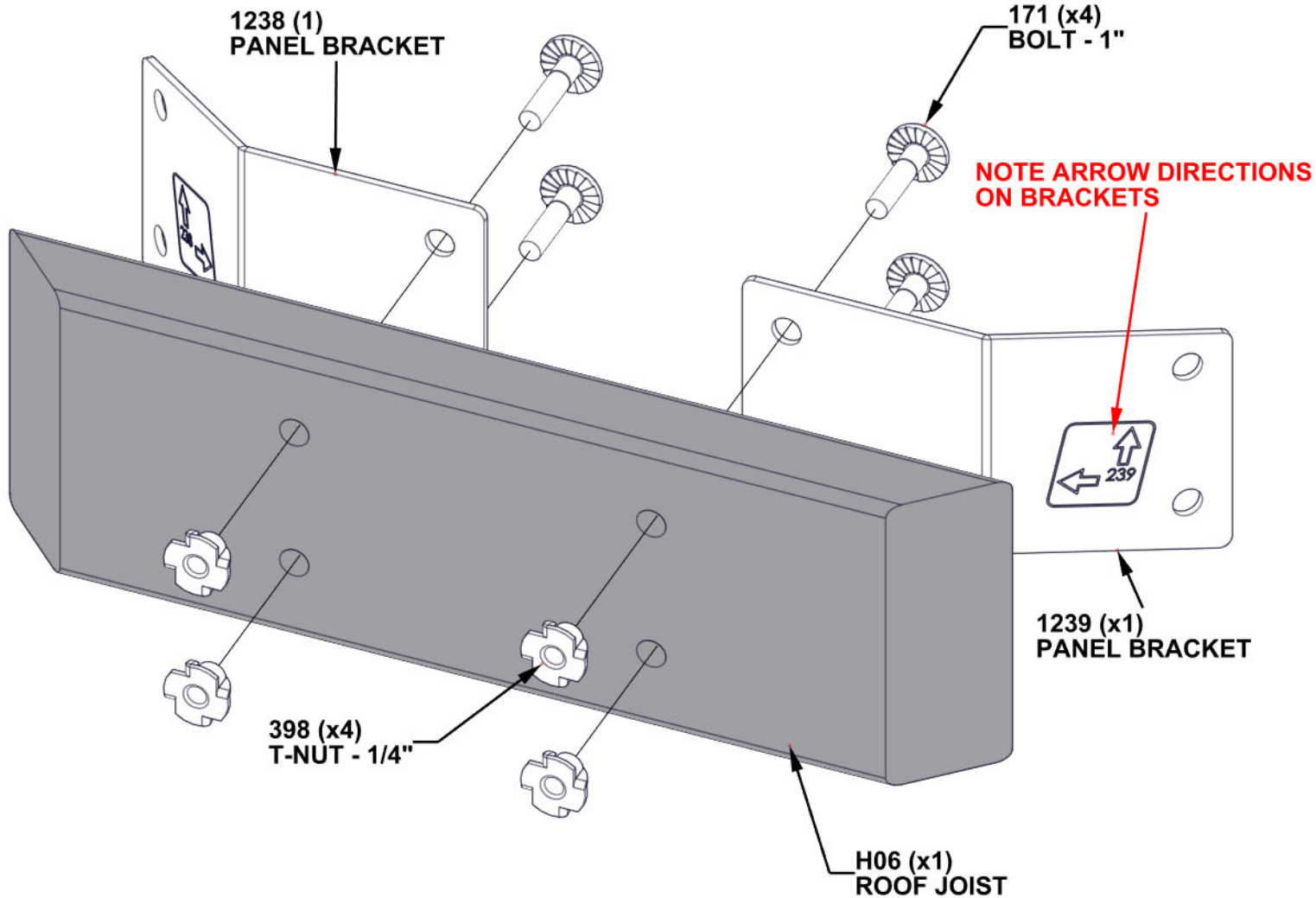


A4M01239 (1) | PANEL BRACKET



H06 | ROOF JOIST - W4L15203
(1) 1"x3 3/8"x10 11/16" (24x86x272)

**INSERT T-NUTS FIRST
HAND TIGHTEN ONLY**



STEP 28 - 12FT ROOF PANEL ASSEMBLY



H11 | ROOF JOIST- W4L15216
 (1) 1"x3 3/8"x44 1/2" (24x86x1130)

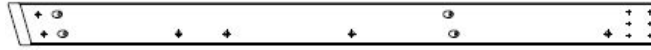


H12 | ROOF JOIST- W4L15220
 (1) 1"x3 3/8"x44 1/2" (24x86x1130)

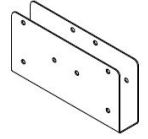


H07 | ROOF JOIST - W4L15315
 (1) 1"x3 3/8"x53 3/16" (24x86x1351)

Qty	PART NUMBER	DESCRIPTION
4	H100171	BOLT WH 1/4x1 BLK
24	H100385	SCREW PFH 8x1 BLK
4	H100398	T-NUT 1/4 BLK

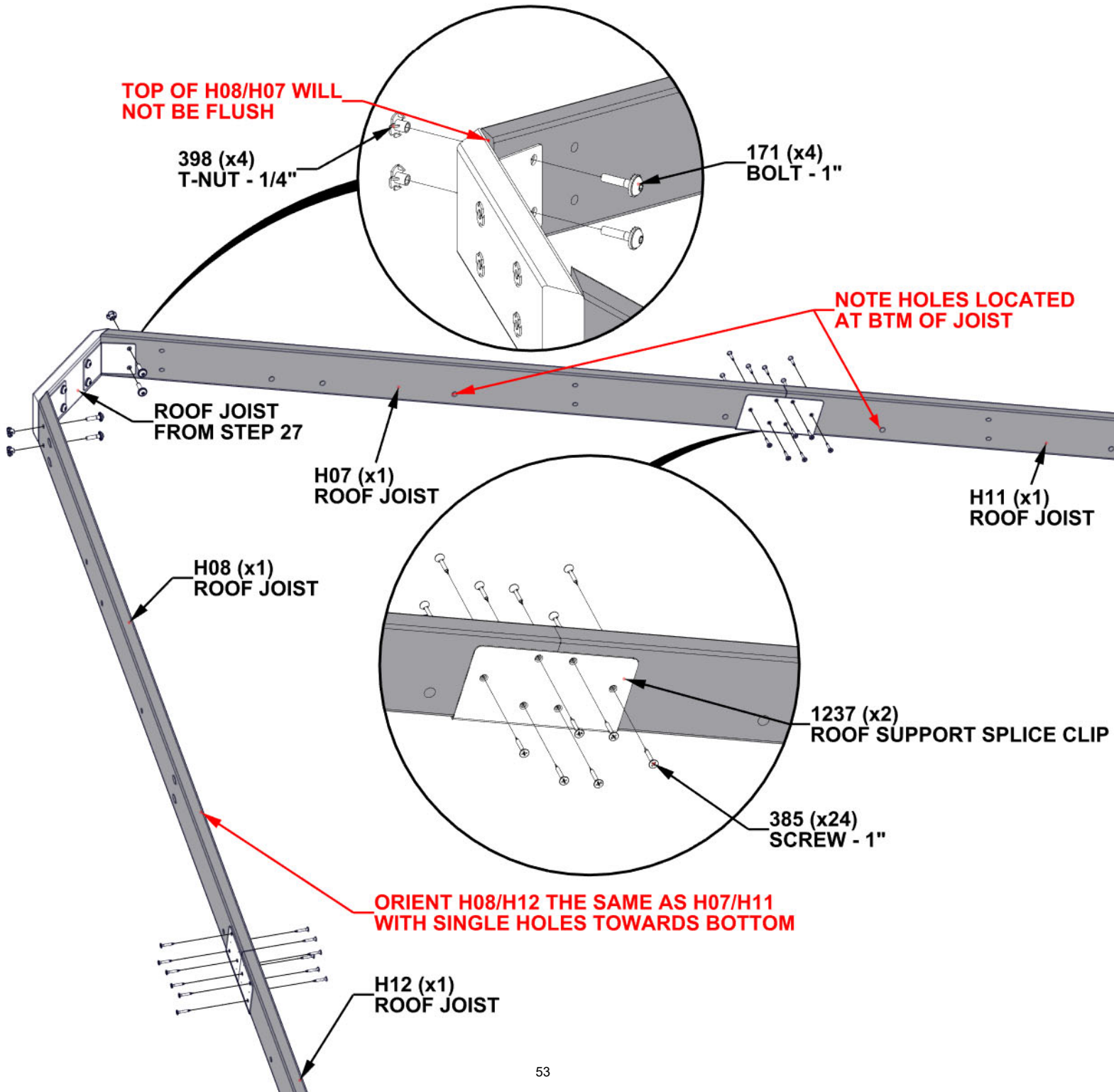


H08 | ROOF JOIST - W4L15316
 (1) 1"x3 3/8"x53 3/16" (24x86x1351)



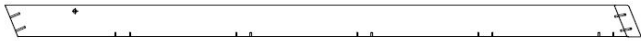
A4M01237 | ROOF SUPPORT SPLICE CLIP
 (2)

INSERT T-NUTS FIRST



STEP 29 - 12FT ROOF PANEL ASSEMBLY

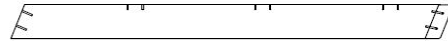
Qty	PART NUMBER	DESCRIPTION
12	H101030	SCREW 2" CONFIRMAT



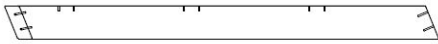
E05 | RAFTER - W4L15207
(1) | 1 3/8"x3 3/8"x69" (36x86x1752)



E11 | RAFTER- W4L15217
(1) | 1 3/8"x3 3/8"x69" (36x86x1752)



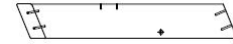
E06 | RAFTER - W4L15208
(1) | 1 3/8"x3 3/8"x45 7/16" (36x86x1155)



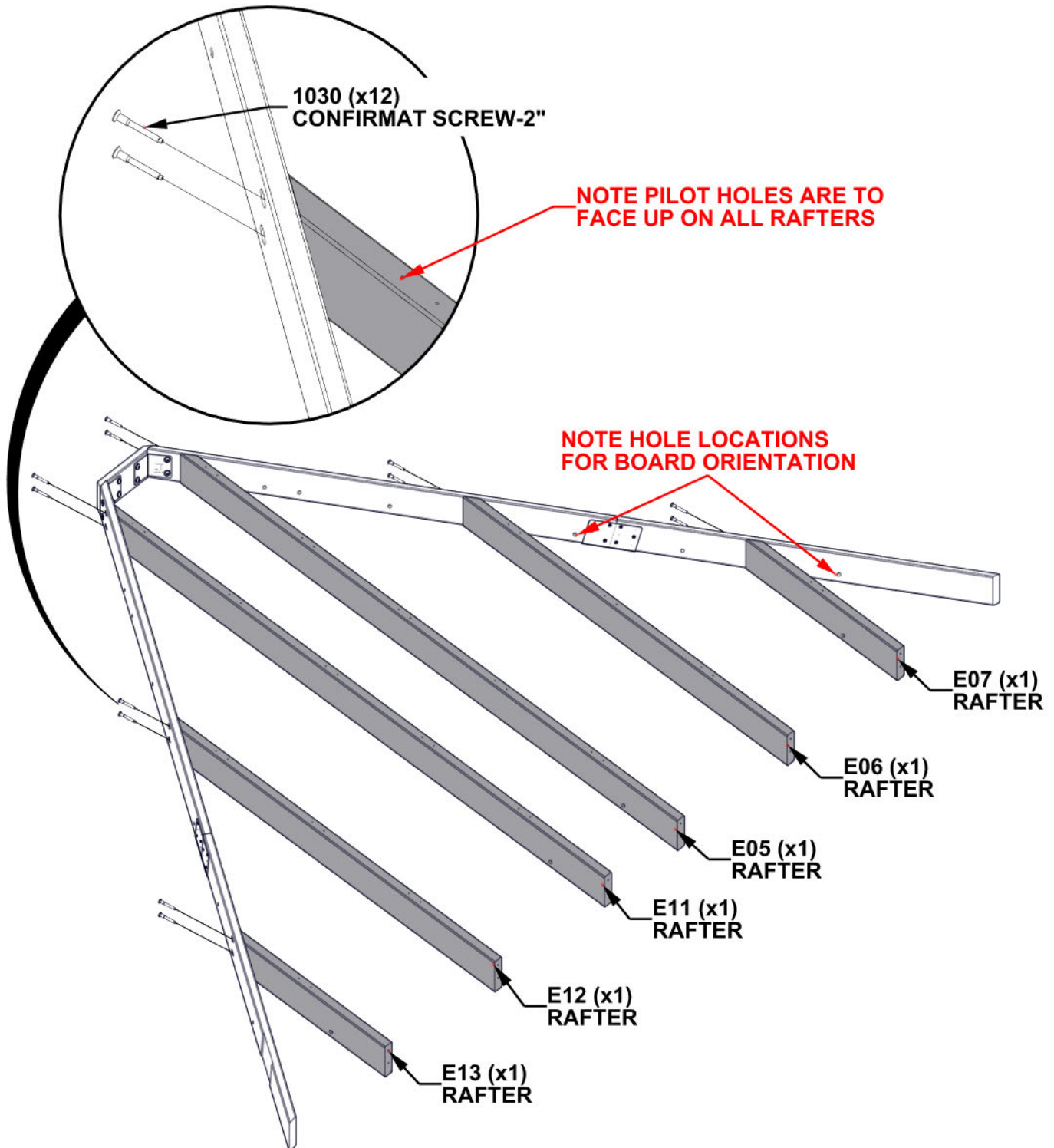
E12 | RAFTER W4L15218
(1) | 1 3/8"x3 3/8"x45 7/16" (36x86x1155)



E07 | RAFTER- W4L15209
(1) | 1 3/8"x3 3/8"x21 15/16" (36x86x557)



E13 | RAFTER- W4L15219
(1) | 1 3/8"x3 3/8"x21 15/16" (36x86x557)



STEP 30A - 12FT ROOF PANEL ASSEMBLY

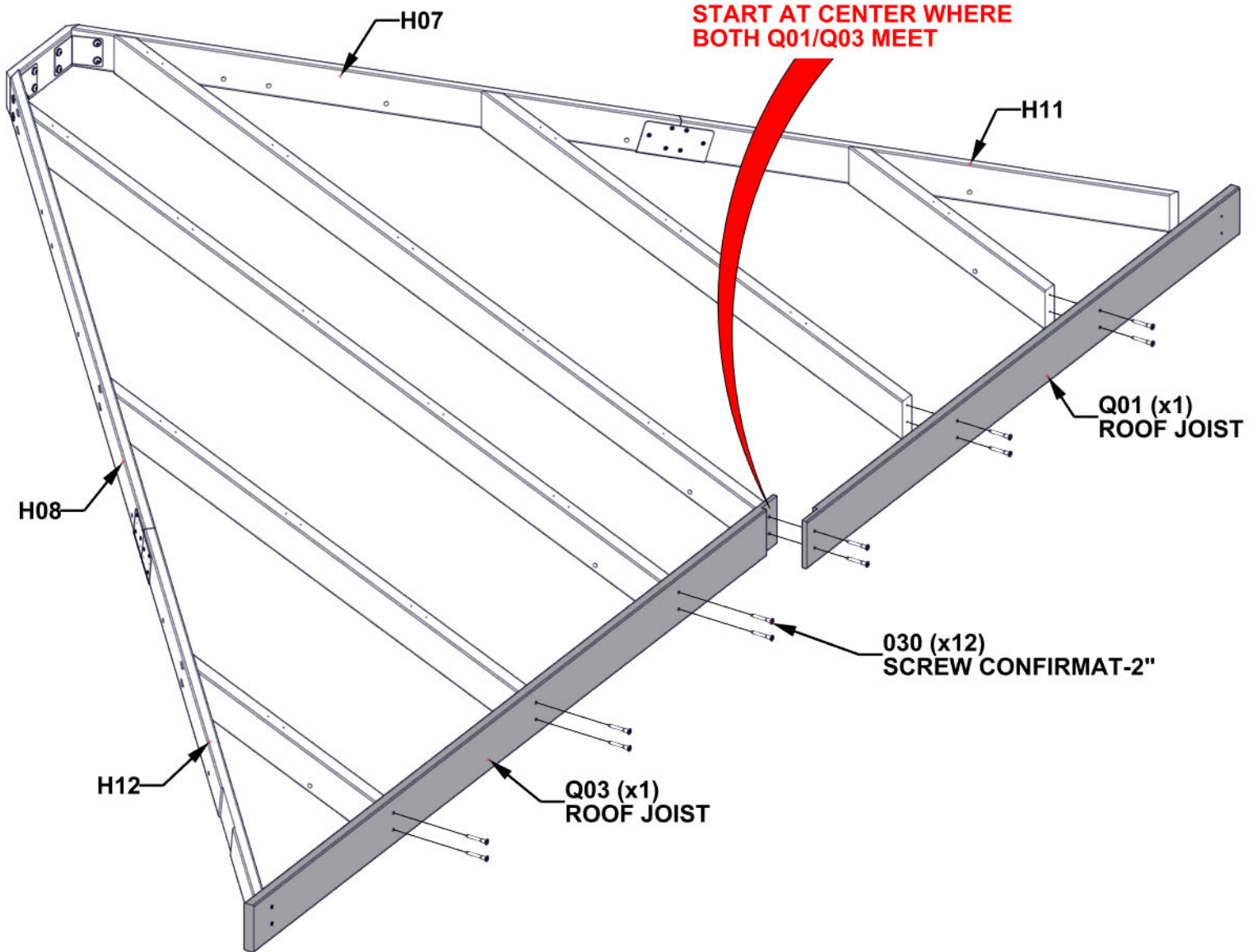
Qty	PART NUMBER	DESCRIPTION
4	H100382	SCREW PFH 8x1 3/4 BLK
12	H101030	SCREW 2" CONFIRMAT



Q03 | ROOF JOIST- W4L15221
 (1) | 1"x4 7/16"x80 1/2" (24x112x2044)



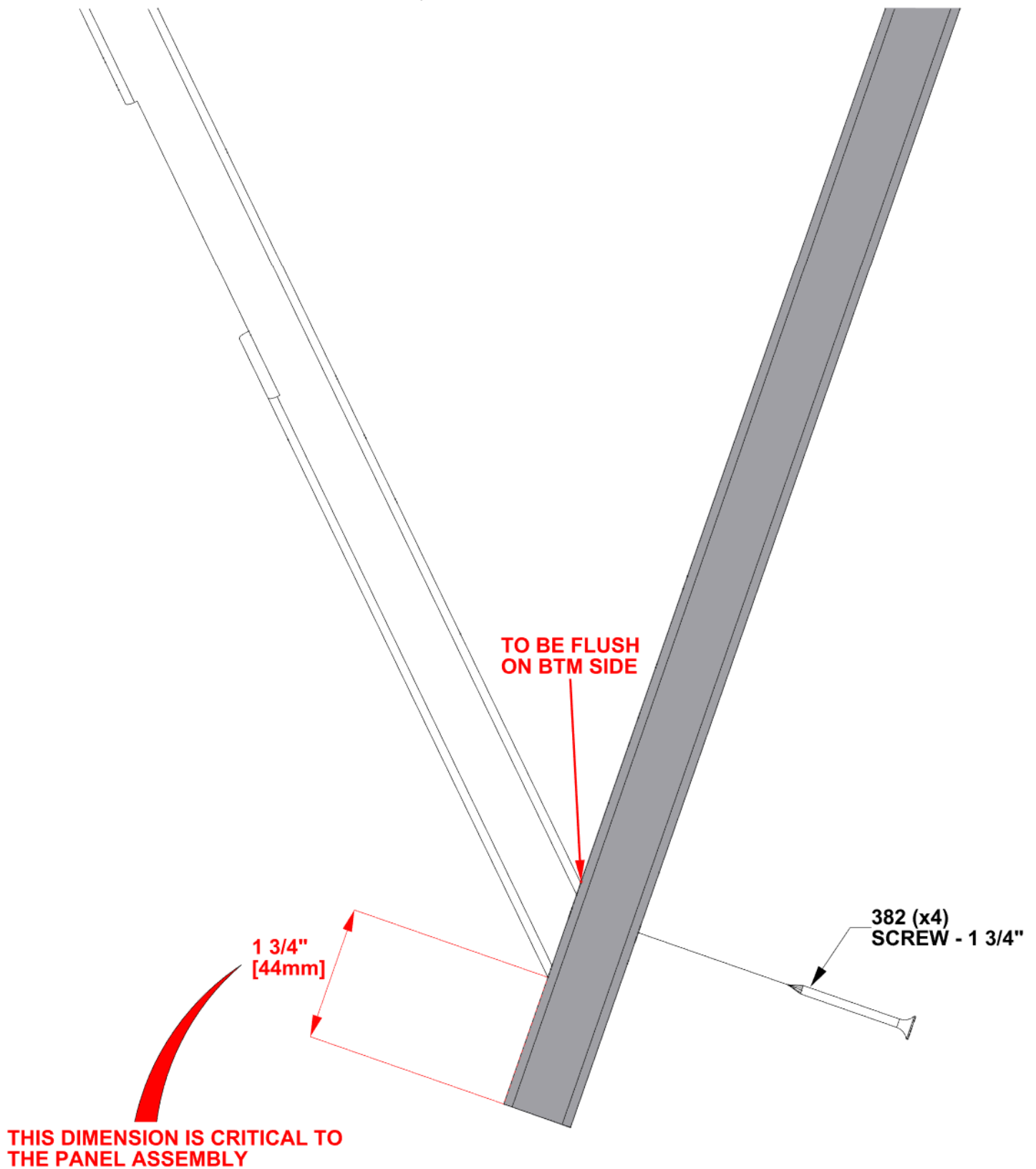
Q01 | ROOF JOIST- W4L15204
 (1) | 1"x4 7/16"x65 15/16" (24x112x1675)



STEP 30B - 12FT ROOF PANEL ASSEMBLY

TIPS:

- USING THE Q03 BOARDS AS A GUIDE AND A 1/8" DRILL BIT, DRILL PILOT HOLES INTO THE H12 BOARD USING THE DIMENSION BELOW.
- REPEAT ON OPPOSITE END USING Q01 AS A GUIDE TO DRILL PILOT HOLES INTO THE H11 BOARD.

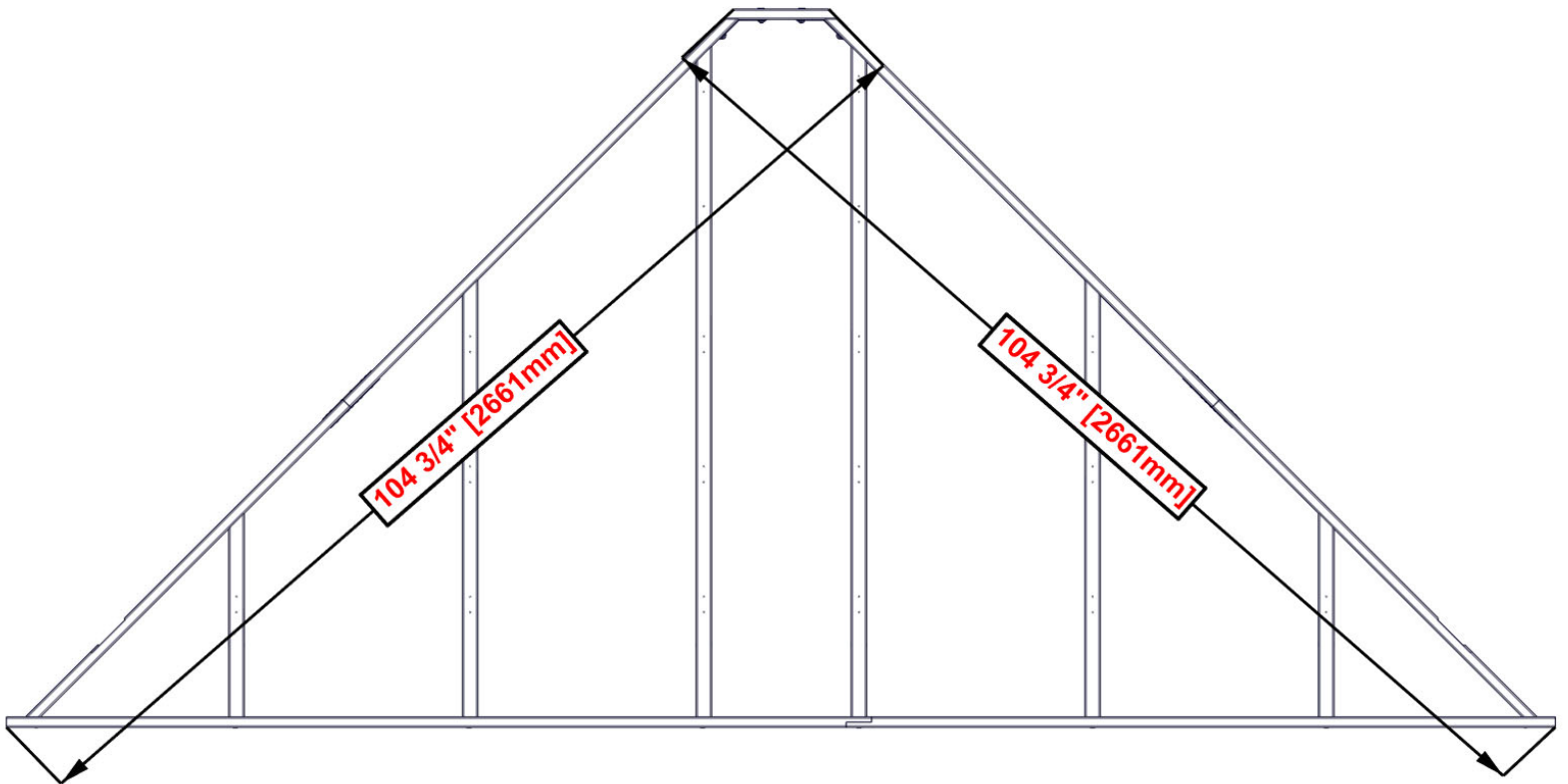


STEP 30C - 12FT ROOF PANEL ASSEMBLY

TIP: LOOSEN HARDWARE TO ADJUST FOR SQUARING IF NEEDED.

CRITICAL:

- SQUARE UNIT BEFORE PROCEEDING TO NEXT STEPS.
- THE BELOW DIMENSIONS ARE CRITICAL TO THE FINAL ROOF ASSEMBLY.
- MEASUREMENTS SHOULD BE WITHIN +/- 1/4"
- MEASUREMENTS OUTSIDE OF TOLERANCE WILL LEAD TO THE INABILITY TO ASSEMBLE THE ROOF.



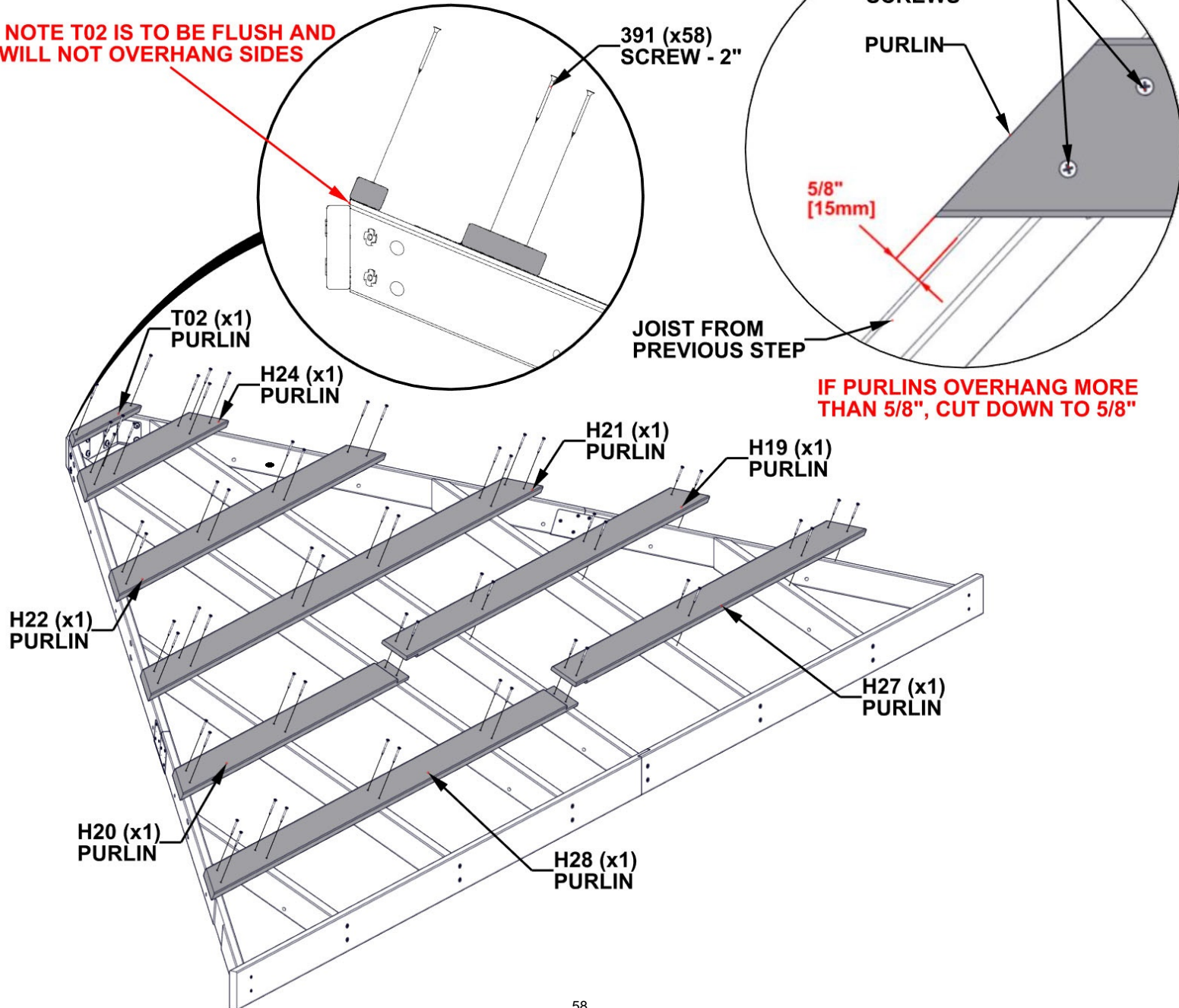
STEP 31 - 12FT ROOF PANEL ASSEMBLY

T02 PURLIN- W4L15239 (1) 1"x1 5/16"x12 3/4" (24x34x324))	H24 PURLIN W4L15232 (1) 1"x3 3/8"x27 1/4" (24x86x692)	H27 PURLIN- W4L15237 (1) 1"x3 3/8"x56" (24x86x1422)
H22 PURLIN- W4L15231 (1) 1"x3 3/8"x51 7/16" (24x86x1307)	H19 PURLIN- W4L15228 (1) 1"x3 3/8"x58 5/16" (24x86x1481)	H20 PURLIN- W4L15229 (1) 1"x3 3/8"x43 7/8" (24x86x1114)
H21 PURLIN- W4L15230 (1) 1"x3 3/8"x75 11/16" (24x86x1922)		
H28 PURLIN- W4L15238 (1) 1"x3 3/8"x70 1/2" (24x86x1791)		

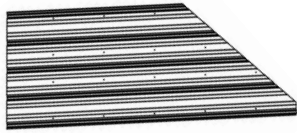
QTY.	PART NUMBER	DESCRIPTION
58	H100391	SCREW PFH 8x2 BLK

- TIPS:**
- ALIGN PURLIN PILOT HOLES WITH RAFTER PILOT HOLES.
 - ATTACH SCREWS FROM THE CENTER AND WORK OUTWARD.
 - H08/H12 & H07/H11 BOARDS DO NOT HAVE PILOT HOLES FOR OUTSIDE EDGE SCREWS.
 - USING THE PURLINS AS A GUIDE AND A 1/8" DRILL BIT, DRILL PILOT HOLES INTO H08/H12 & H07/H11 BOARDS

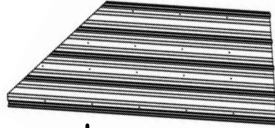
NOTE T02 IS TO BE FLUSH AND WILL NOT OVERHANG SIDES



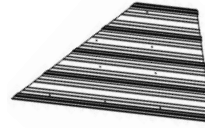
STEP 32 - 12FT ROOF PANEL ASSEMBLY



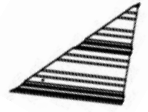
A4M01359-2 | 29 GA STEEL SHEETING
(1)



A4M01356-2 | 29 GA STEEL SHEETING
(1)



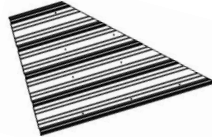
A4M01355-2 | 29 GA STEEL SHEETING
(1)



A4M01354-2 | 29 GA STEEL SHEETING
(1)



A4M01357-2 | 29 GA STEEL SHEETING
(1)

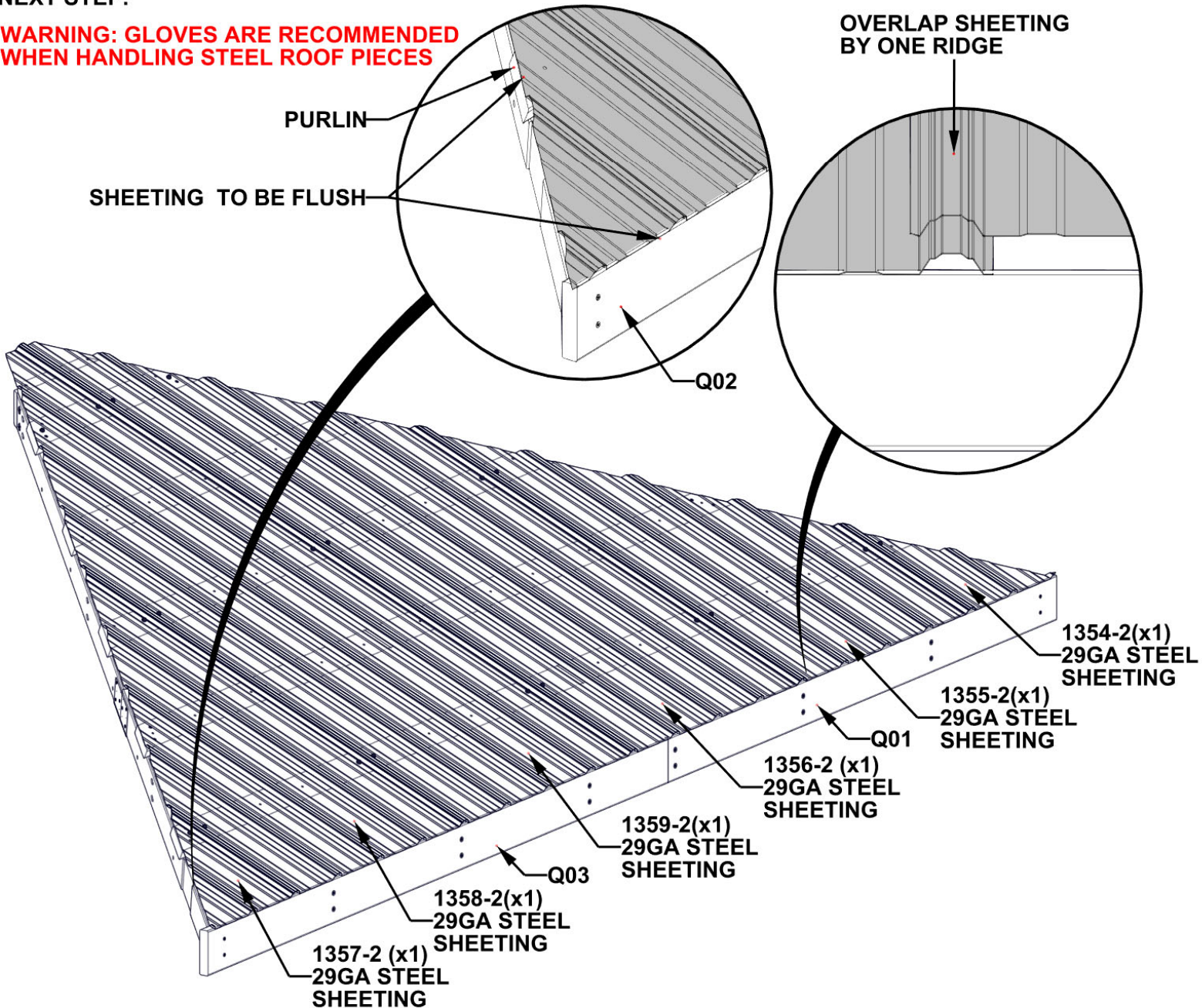


A4M01358-2 | 29 GA STEEL SHEETING
(1)

Qty	PART NUMBER	DESCRIPTION
20	H100833	SCREW WOODGRIP 10-16x3/4

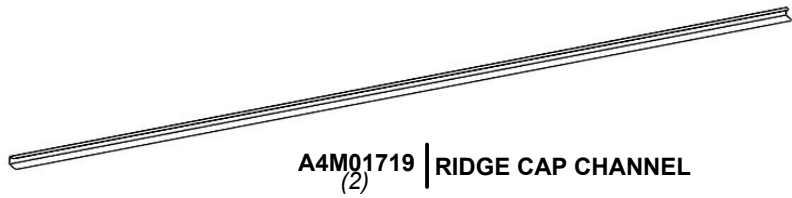
- TIPS:**
- REMOVE PROTECTIVE BLUE FILM.
 - STARTING IN THE CENTER, PLACE PANELS AS SHOWN BELOW.
 - OVERLAP PANELS BY ONE RIDGE.
 - PANELS SHOULD BE FLUSH WITH PURLIN ENDS AND Q02 ROOF JOIST.
 - ONCE SHEETING IS IN PLACE, IT IS RECOMMENDED TO ADD H100833 SCREWS IN THE MIDDLE OF THE SHEETS TO HOLD SHEETING FOR THE NEXT STEP.

WARNING: GLOVES ARE RECOMMENDED WHEN HANDLING STEEL ROOF PIECES



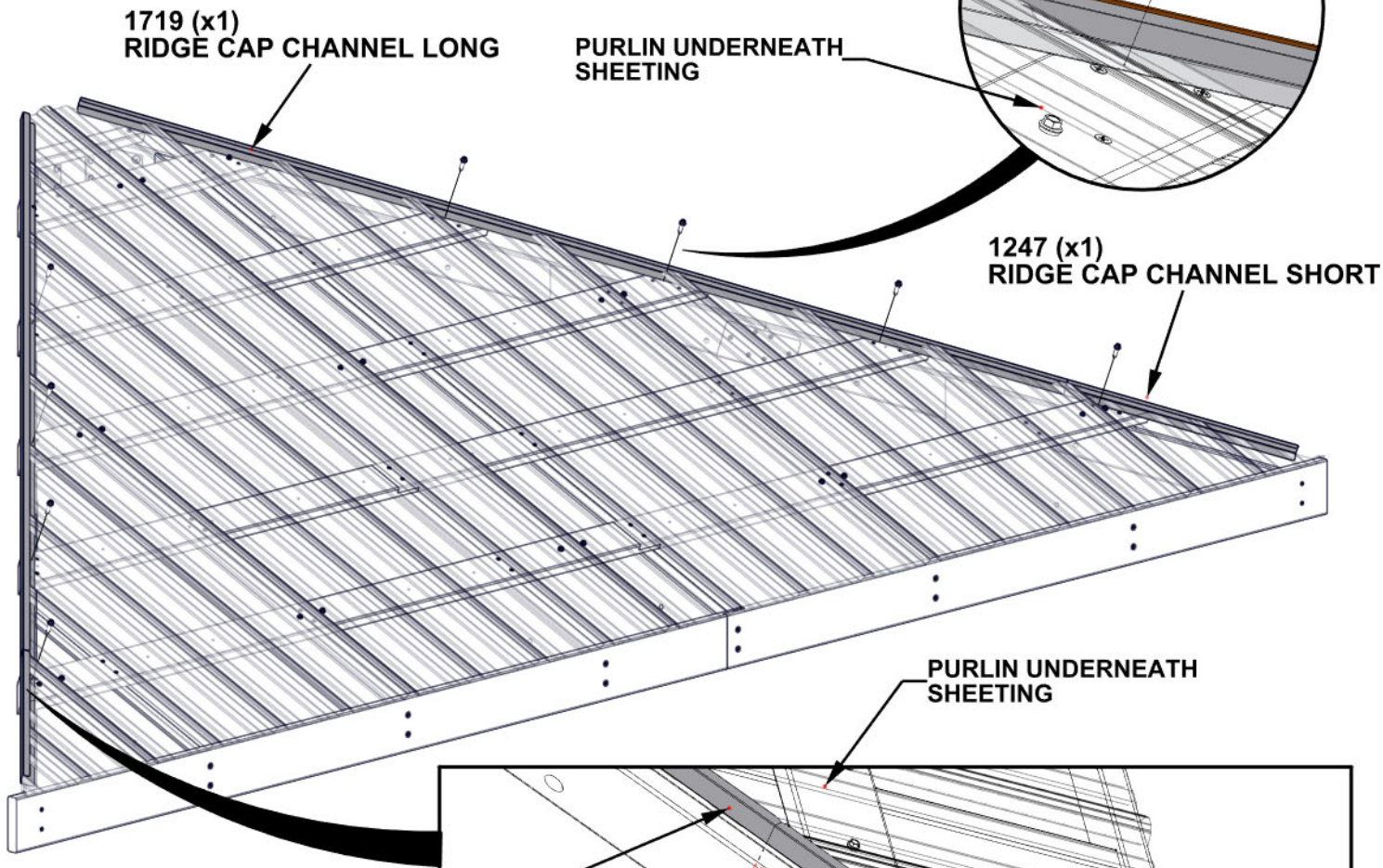
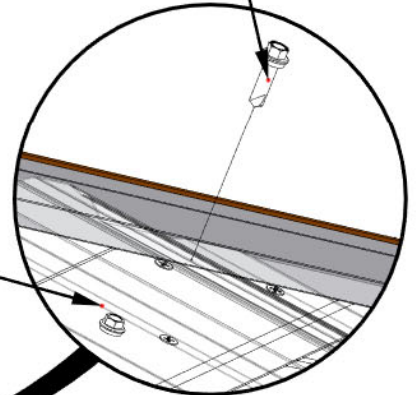
STEP 33 - 12FT ROOF PANEL ASSEMBLY

Qty	PART NUMBER	DESCRIPTION
8	H100833	SCREW WOODGRIP 10-16x3/4

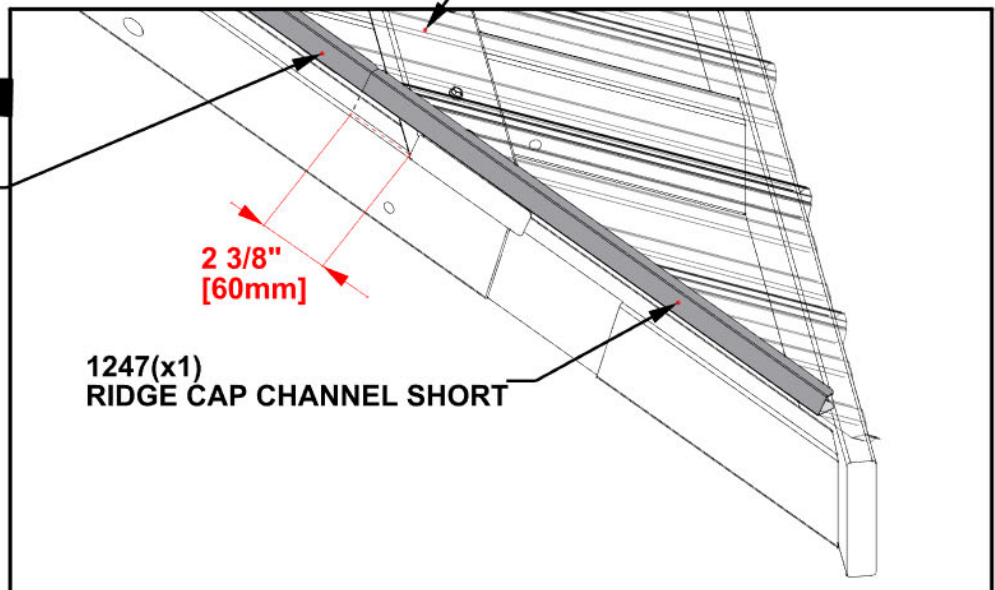


- TIPS:**
- POSITION THE RIDGE CAP CHANNEL OVER THE EDGE OF THE ROOF PANELS WITH THE WIDER SIDE OF THE CHANNEL ON THE BOTTOM.
 - MAKE SURE THE PANELS ARE FULLY SEATED INTO THE CHANNEL.
 - FLUSH THE TOP OF THE CHANNEL WITH THE TOP OF THE METAL PANELS.

833(x8)
SCREW-3/4"

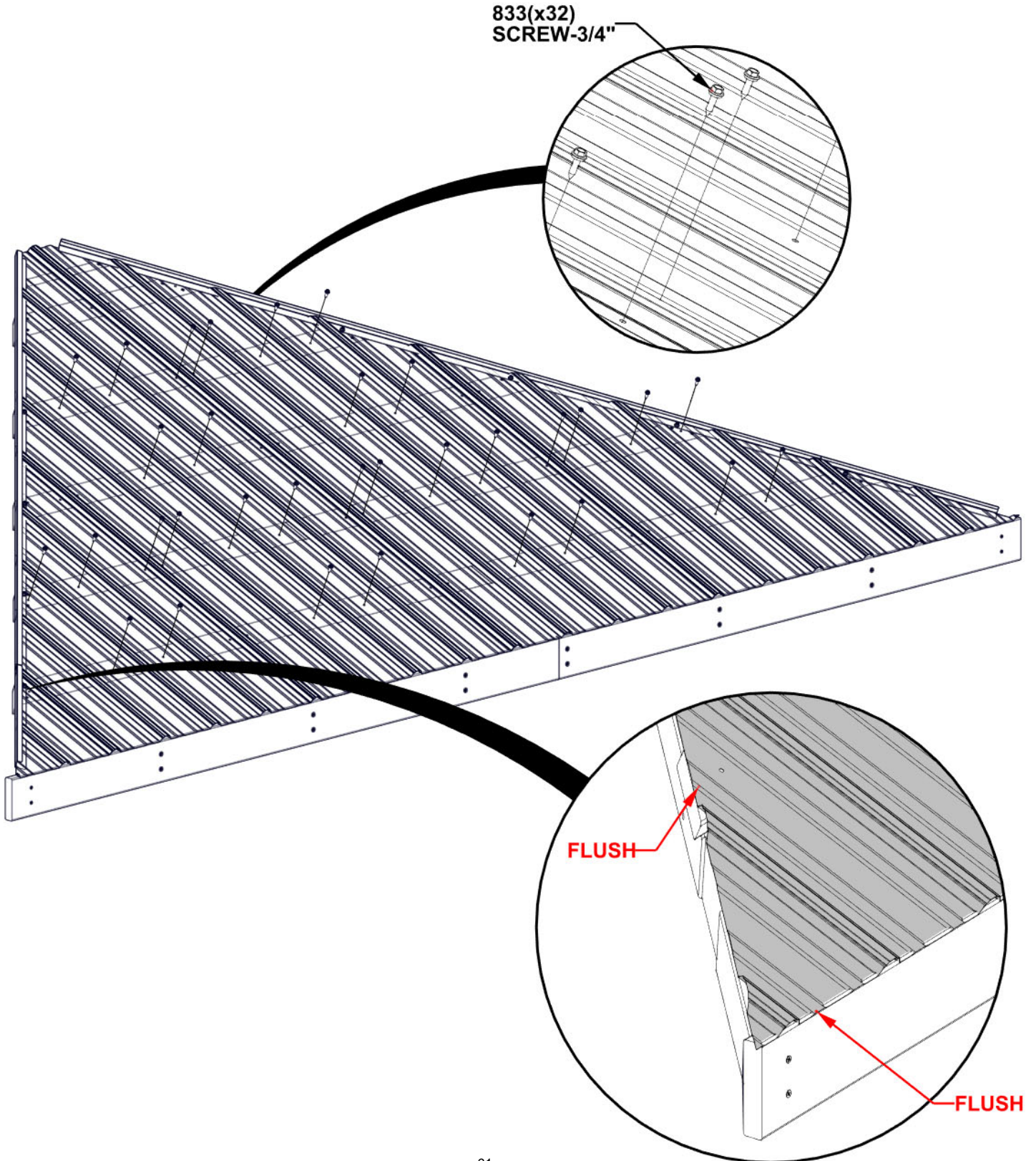


1719(X1)
RIDGE CAP CHANNEL LONG



STEP 34 - 12FT ROOF PANEL ASSEMBLY

Qty	PART NUMBER	DESCRIPTION
32	H100833	SCREW WOODGRIP 10-16x3/4



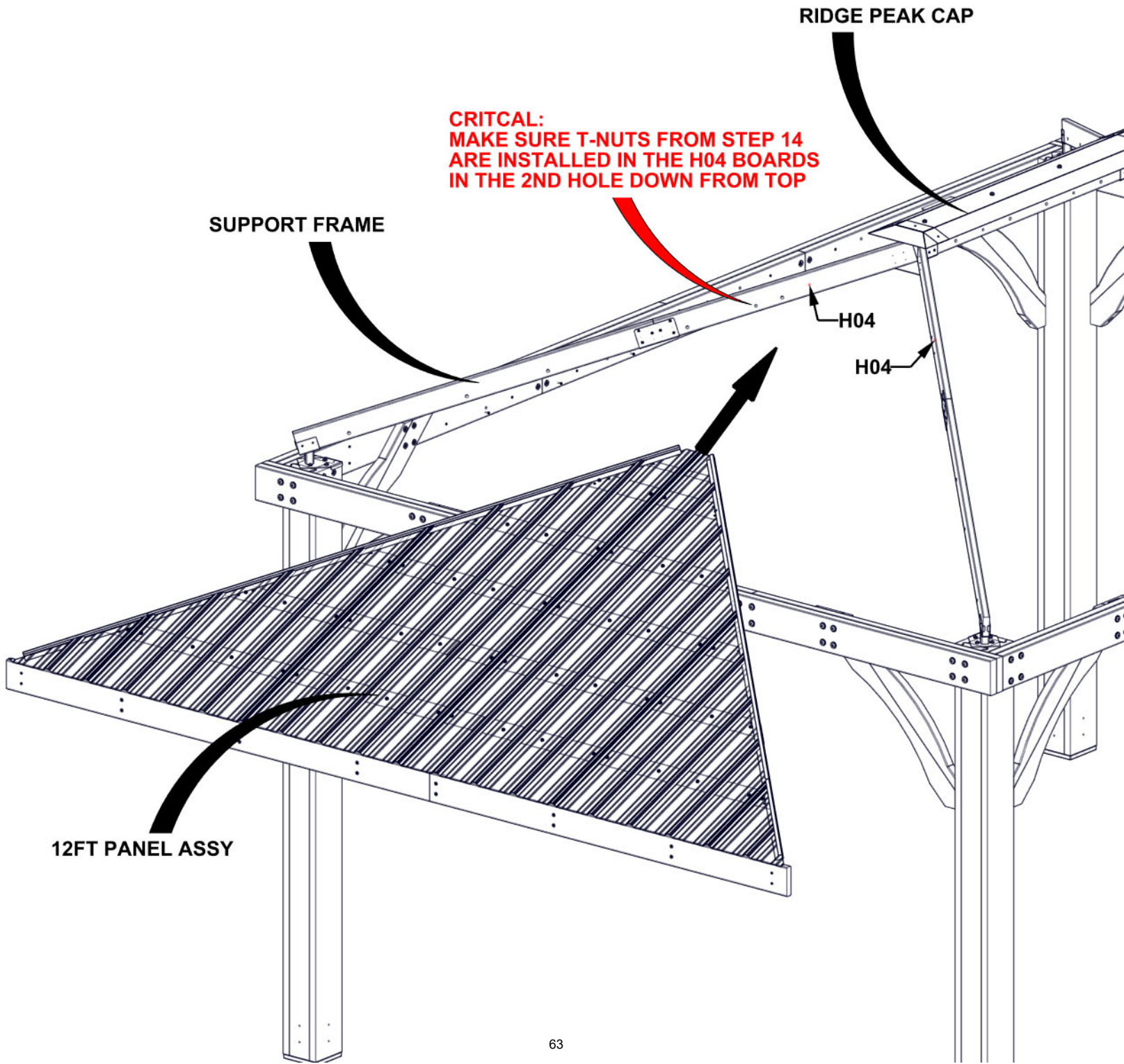
**REPEAT 12FT ROOF PANEL
ASSEMBLY STEPS 27 THROUGH 34**

STEP 35A - 12FT ROOF PANEL ATTACHMENT

TIPS:

- THREE PEOPLE ARE HELPFUL FOR THIS STEP.
- POSITION A PERSON ON A LADDER IN THE CENTER OF THE GAZEBO TO HELP SUPPORT THE ROOF PANEL.
- WITH TWO PEOPLE, WORK THE PANEL UP WITHOUT SLIDING OR DRAGGING, UNTIL IT MEETS THE ROOF SUPPORT FRAME.
- MAKE SURE THE ROOF PANEL SLIDES UNDERNEATH THE RIDGE CAP.

WARNING: GLOVES ARE RECOMMENDED WHEN HANDLING STEEL ROOF PIECES

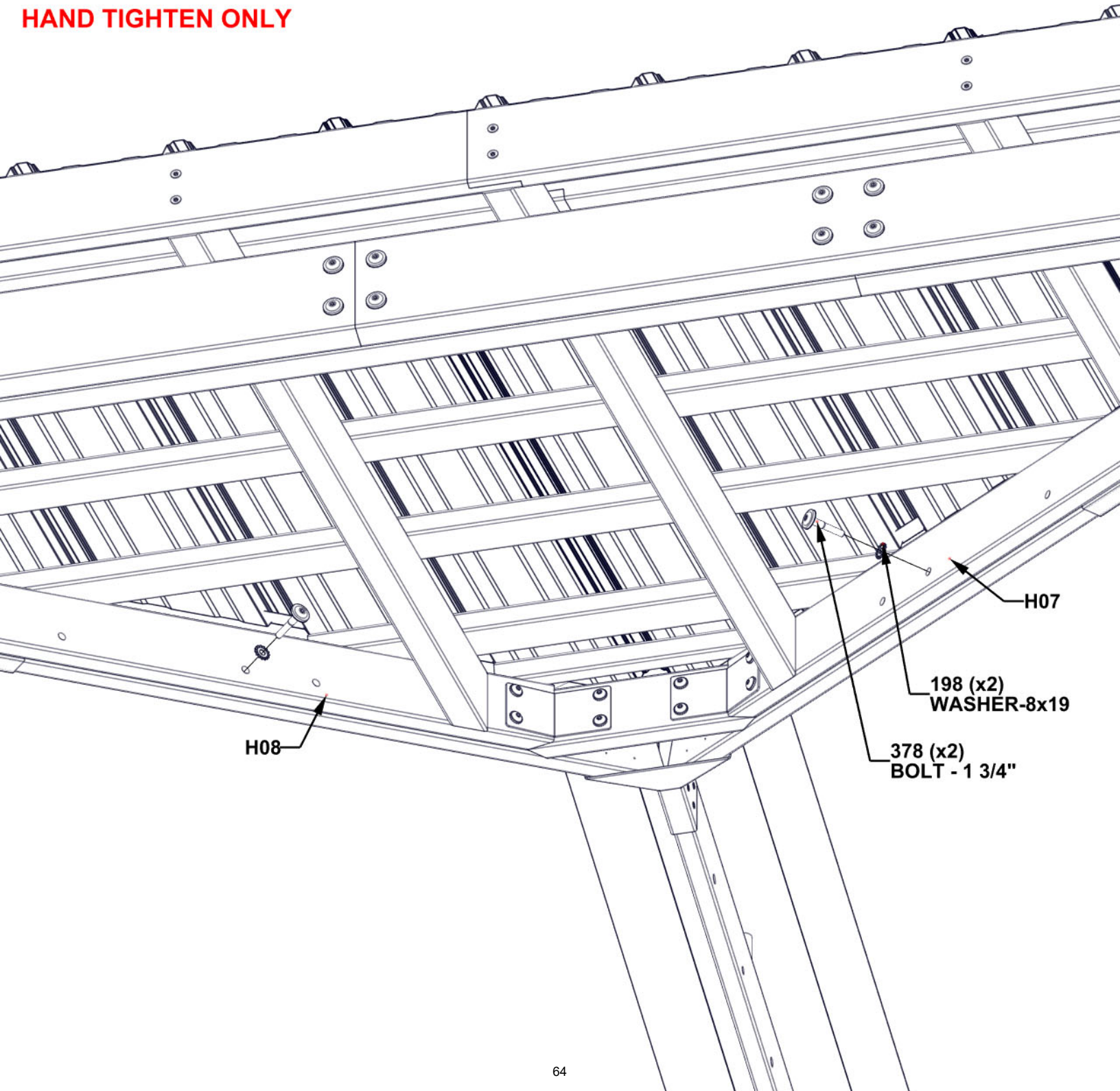


STEP 35B - 12FT ROOF PANEL ATTACHMENT

Qty	PART NUMBER	DESCRIPTION
2	H100198	WASHER LOCK EXT 8X19 BLK
2	H100378	BOLT WH 5/16x1 3/4 BLK

- TIPS:
- IF NECESSARY, USE A LONG SCREWDRIVER OR CLAMPS TO HOLD PANELS IN PLACE.
 - INSERT BOLTS INTO THE FIRST HOLE FROM THE TOP OF THE H07/H08 BOARDS.

HAND TIGHTEN ONLY



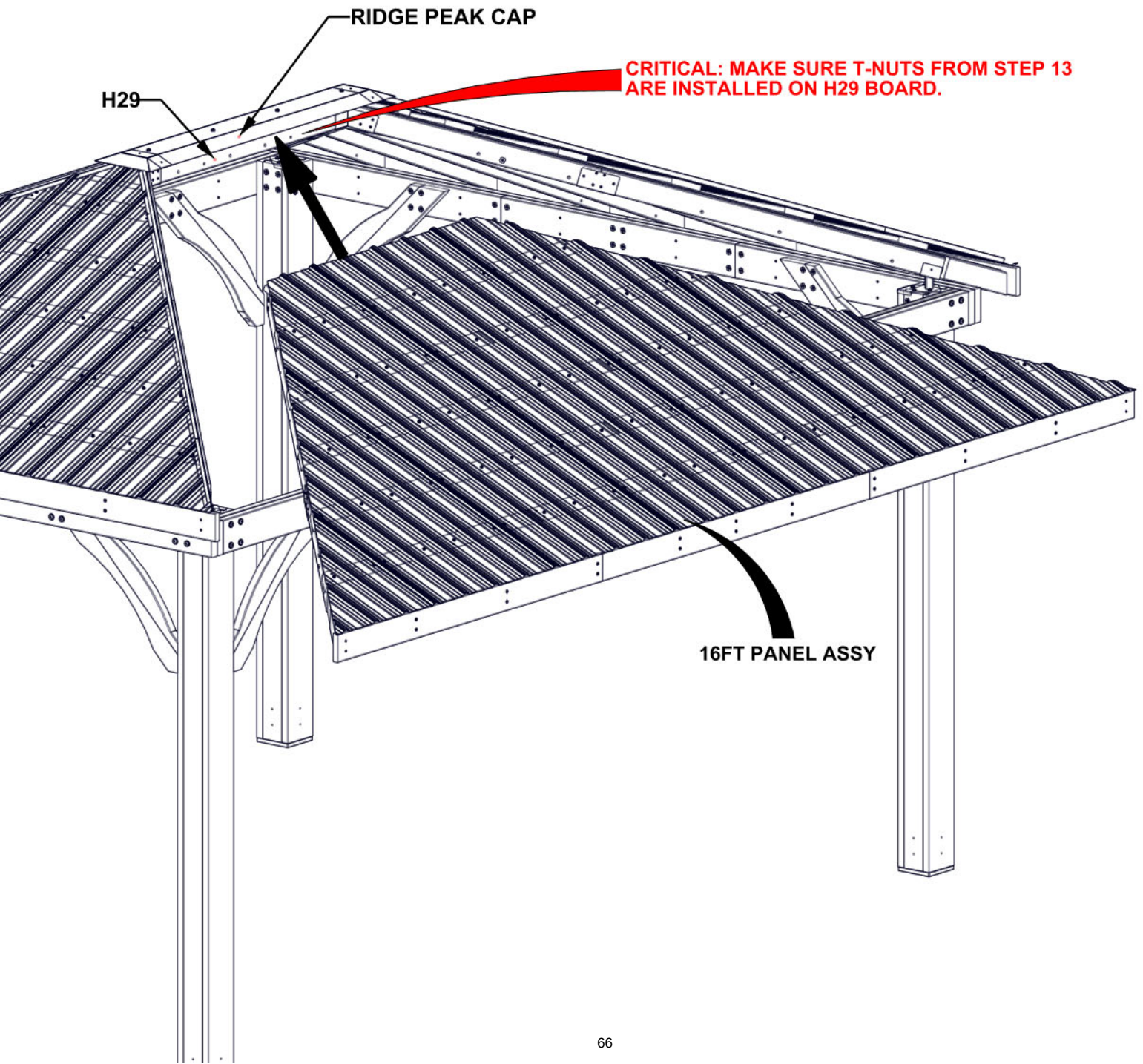
**REPEAT 12FT ROOF PANEL INSTALLATION
STEPS 35A & 35B**

STEP 36A - 16FT ROOF PANEL ATTACHMENT

TIPS:

- THREE PEOPLE ARE HELPFUL FOR THIS STEP.
- POSITION A PERSON ON A LADDER IN THE CENTER OF THE GAZEBO TO HELP SUPPORT THE ROOF PANEL.
- WITH TWO PEOPLE, WORK THE PANEL UP WITHOUT SLIDING OR DRAGGING, UNTIL IT MEETS THE ROOF SUPPORT FRAME.
- MAKE SURE THE ROOF PANEL SLIDES UNDERNEATH THE RIDGE CAP.

WARNING: GLOVES ARE RECOMMENDED WHEN HANDLING STEEL ROOF PIECES

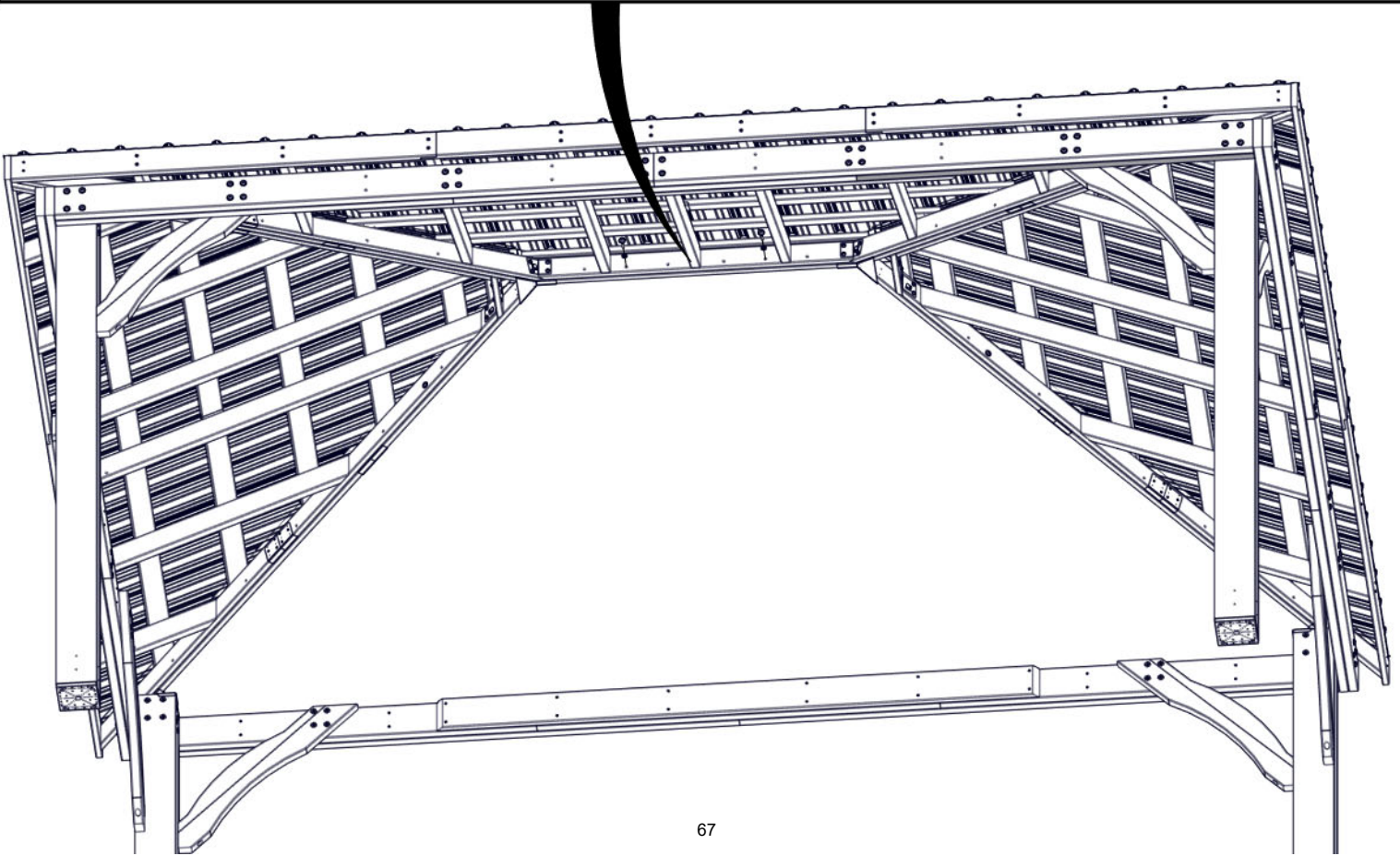
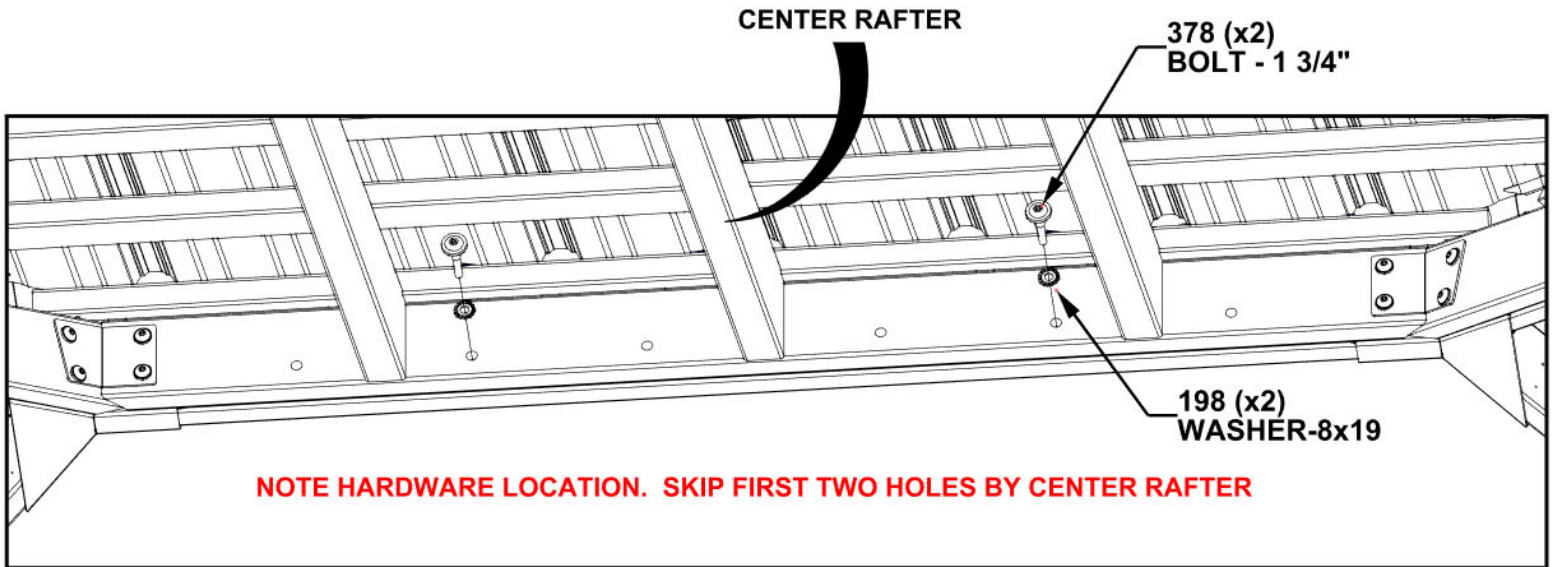


STEP 36B - 16FT ROOF PANEL ATTACHMENT

Qty	PART NUMBER	DESCRIPTION
2	H100198	WASHER LOCK EXT 8X19 BLK
2	H100378	BOLT WH 5/16x1 3/4 BLK

TIP:
- IF NECESSARY, USE A LONG SCREWDRIVER OR CLAMPS TO HOLD PANELS IN PLACE.

HAND TIGHTEN ONLY

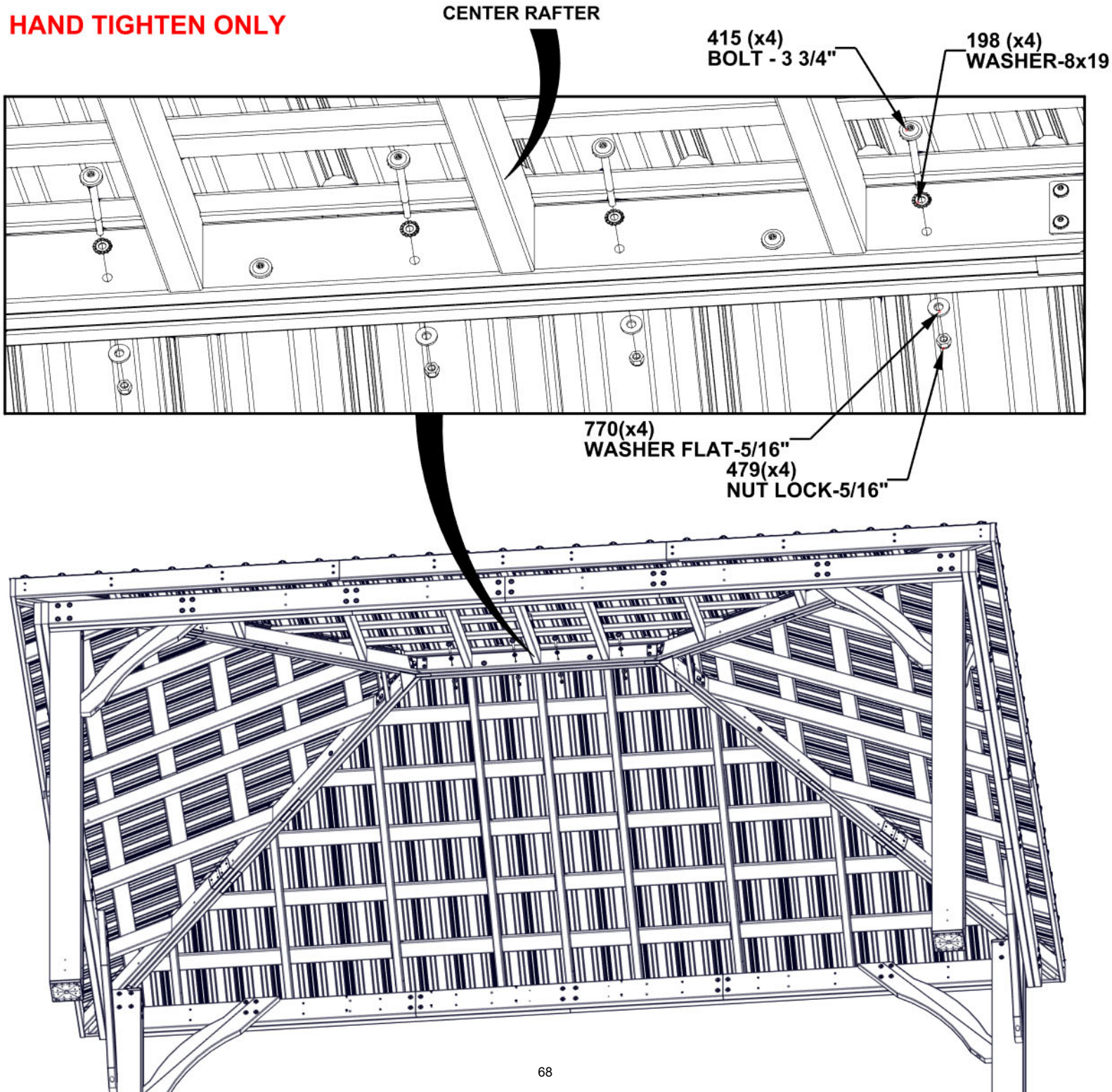


STEP 37A - 16FT ROOF PANEL ATTACHMENT

Qty	PART NUMBER	DESCRIPTION
4	H100198	WASHER LOCK EXT 8X19 BLK
4	H100415	BOLT WH 5/16x3 3/4 BLK
4	H100479	LOCK NUT 5/16 BLK
4	H100770	WASHER FLAT 5/16 BLK

- TIPS:**
- REPEAT STEP 36A FOR SECOND 16FT PANEL.
 - IF NECESSARY USE A LONG SCREWDRIVER OR CLAMPS TO HOLD PANEL IN PLACE.

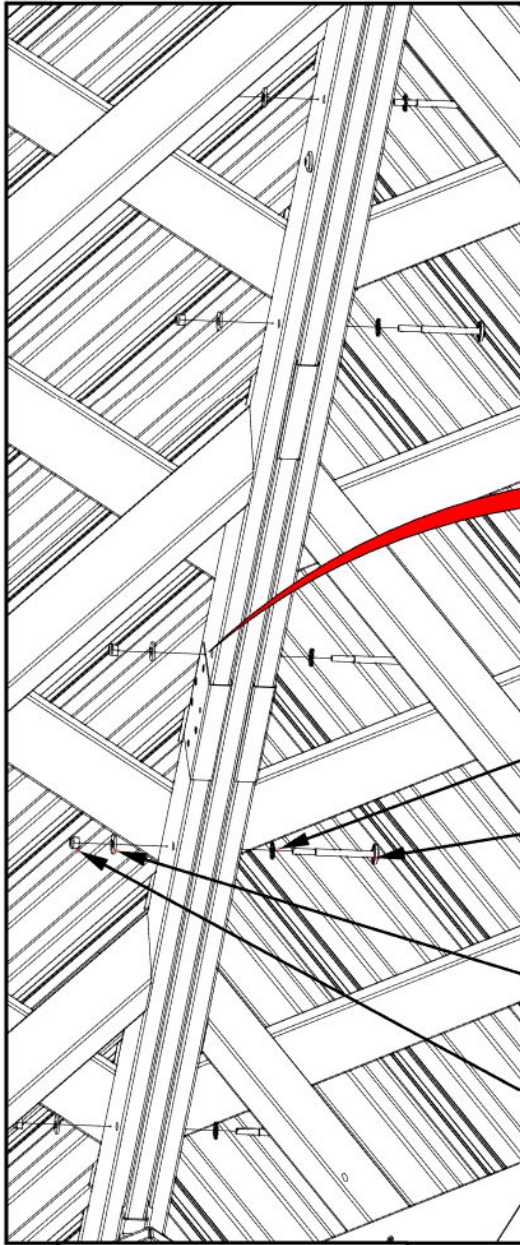
HAND TIGHTEN ONLY



STEP 37B - 16FT ROOF PANEL ATTACHMENT

Qty	PART NUMBER	DESCRIPTION
20	H100198	WASHER LOCK EXT 8X19 BLK
20	H100415	BOLT WH 5/16X3 3/4 BLK
20	H100479	NUT LOCK 5/16 BLK
20	H100770	WASHER FLAT 5/16 BLK

HAND TIGHTEN ONLY



IF THE HOLES ARE SLIGHTLY UNALIGNED, DRIVE THE BOLT THROUGH THE (3) BOARDS USING A DRILL. THIS WILL ENABLE THE BOLTS TO SCREW INTO THE HOLES.

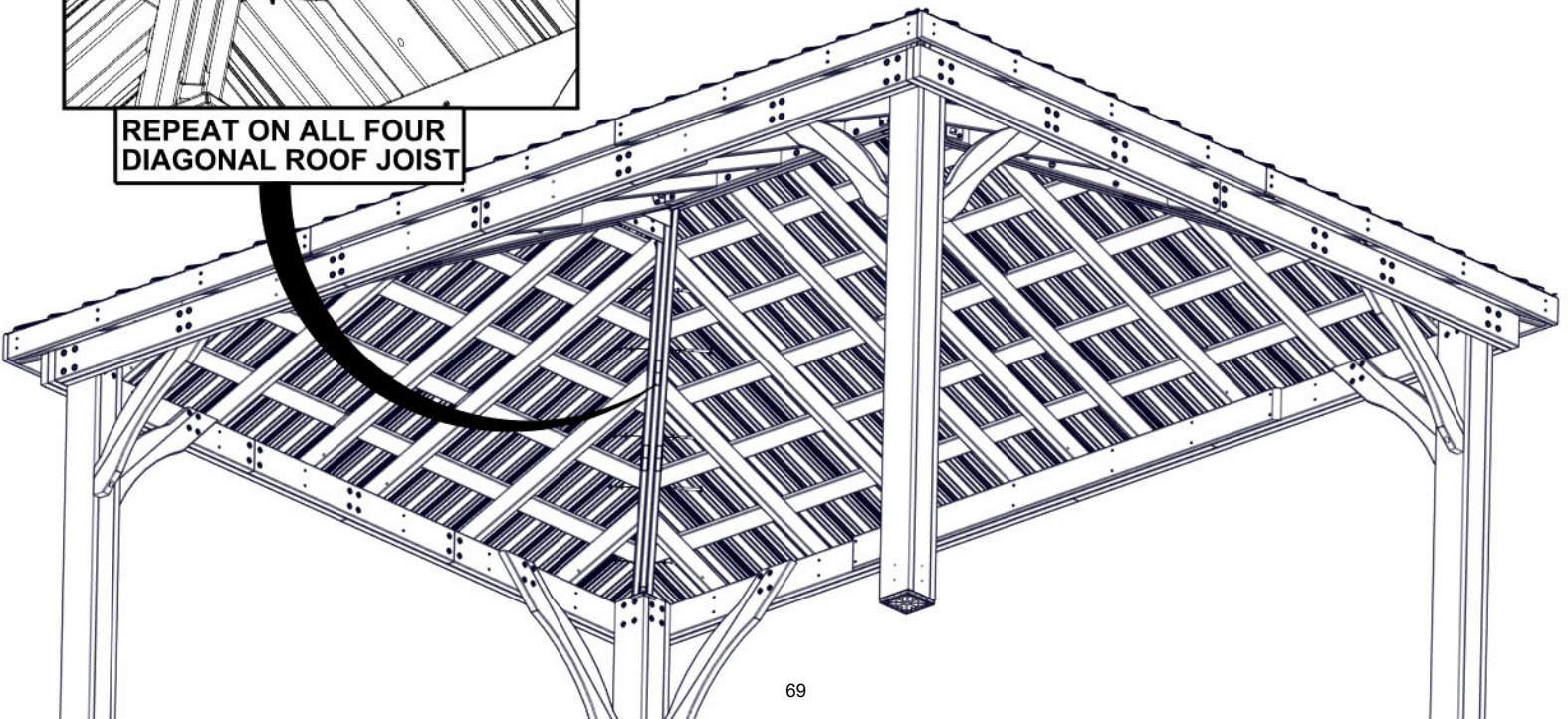
198 (x5)
WASHER-8x19

415 (x5)
BOLT - 3 3/4"

770(x5)
WASHER FLAT-5/16"

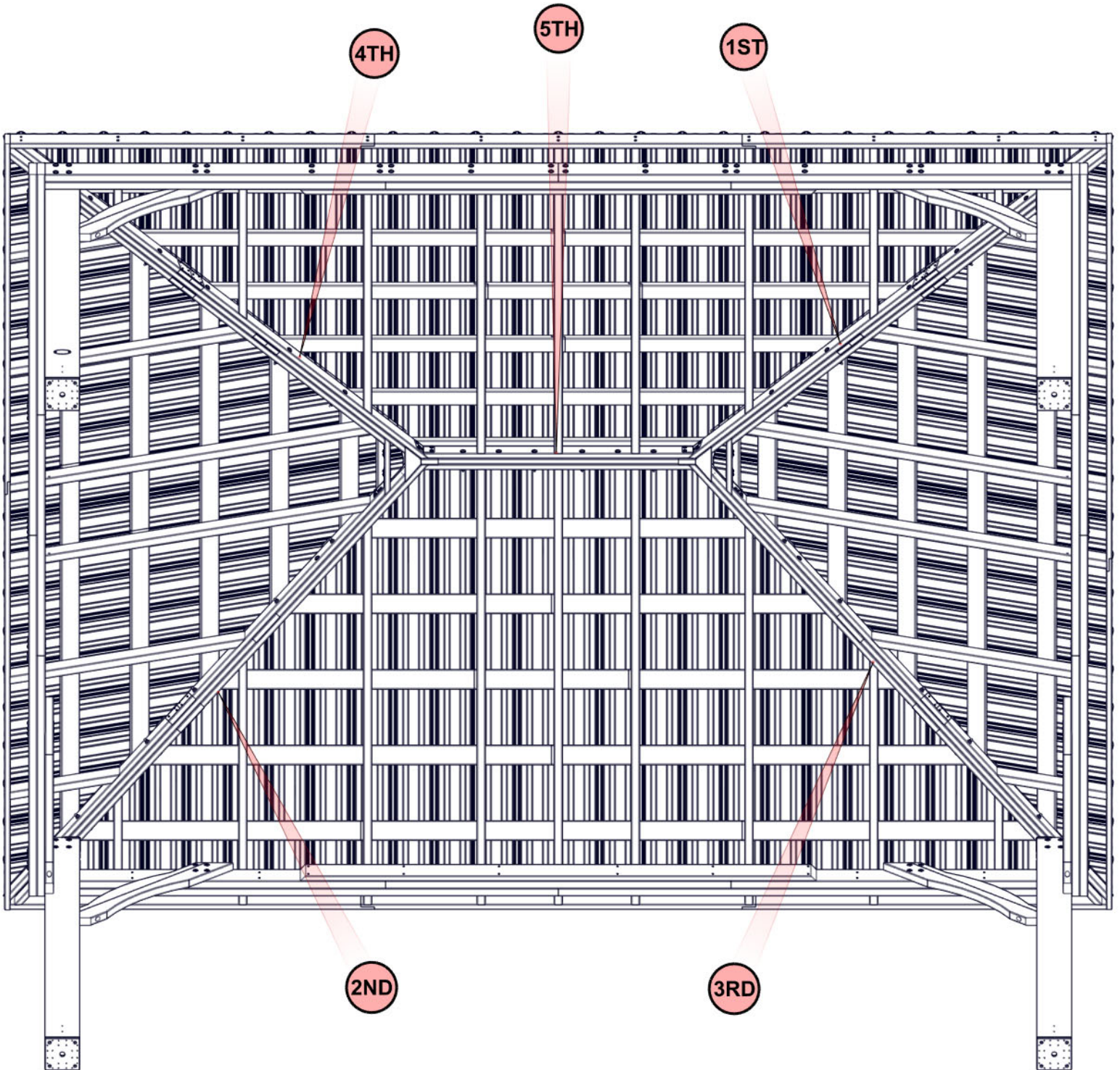
479(x5)
NUT LOCK-5/16"

**REPEAT ON ALL FOUR
DIAGONAL ROOF JOIST**



STEP 38 - ROOF PANEL ATTACHMENT

**TIGHTEN ALL THE HARDWARE IN THE ORDER SHOW BELOW.
START AT THE TOP AND WORK YOUR WAY DOWN**

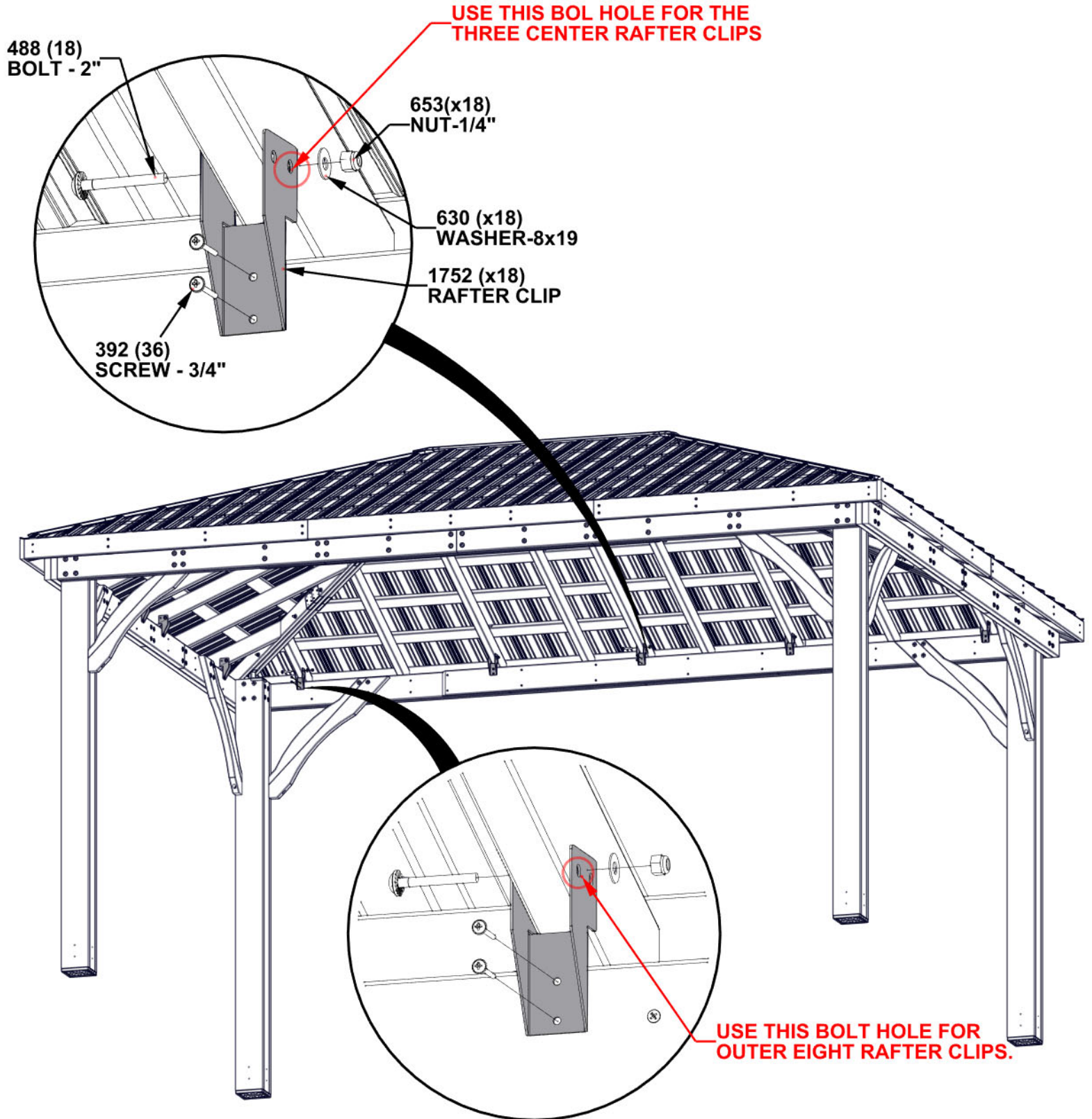


STEP 39 - ROOF ASSEMBLY

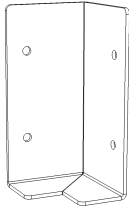
Qty	PART NUMBER	DESCRIPTION
18	H100488	BOLT WH 1/4x2 BLK
36	H100536	SCREW PWH 8x1 1/4 BLK
18	H100630	WASHER FLAT 8x19 BLK
18	H100653	NUT LOCK 1/4 BLK



A4M01752 | RAFTER CLIP
(18)

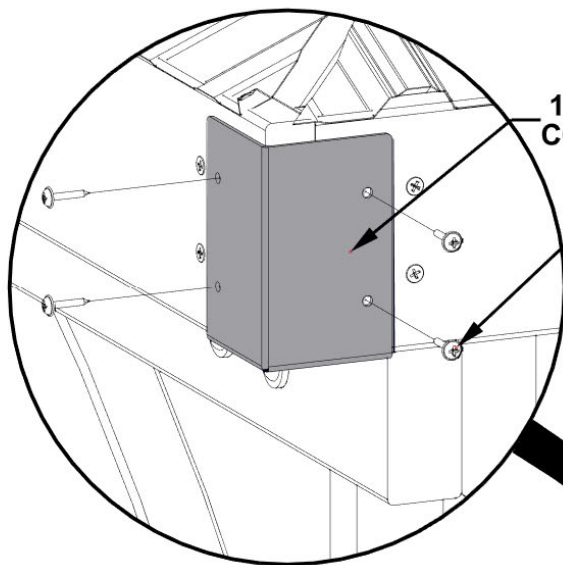


STEP 40 - ROOF ASSEMBLY



Qty	PART NUMBER	DESCRIPTION
16	H100392	SCREW PWH 8x3/4 BLK

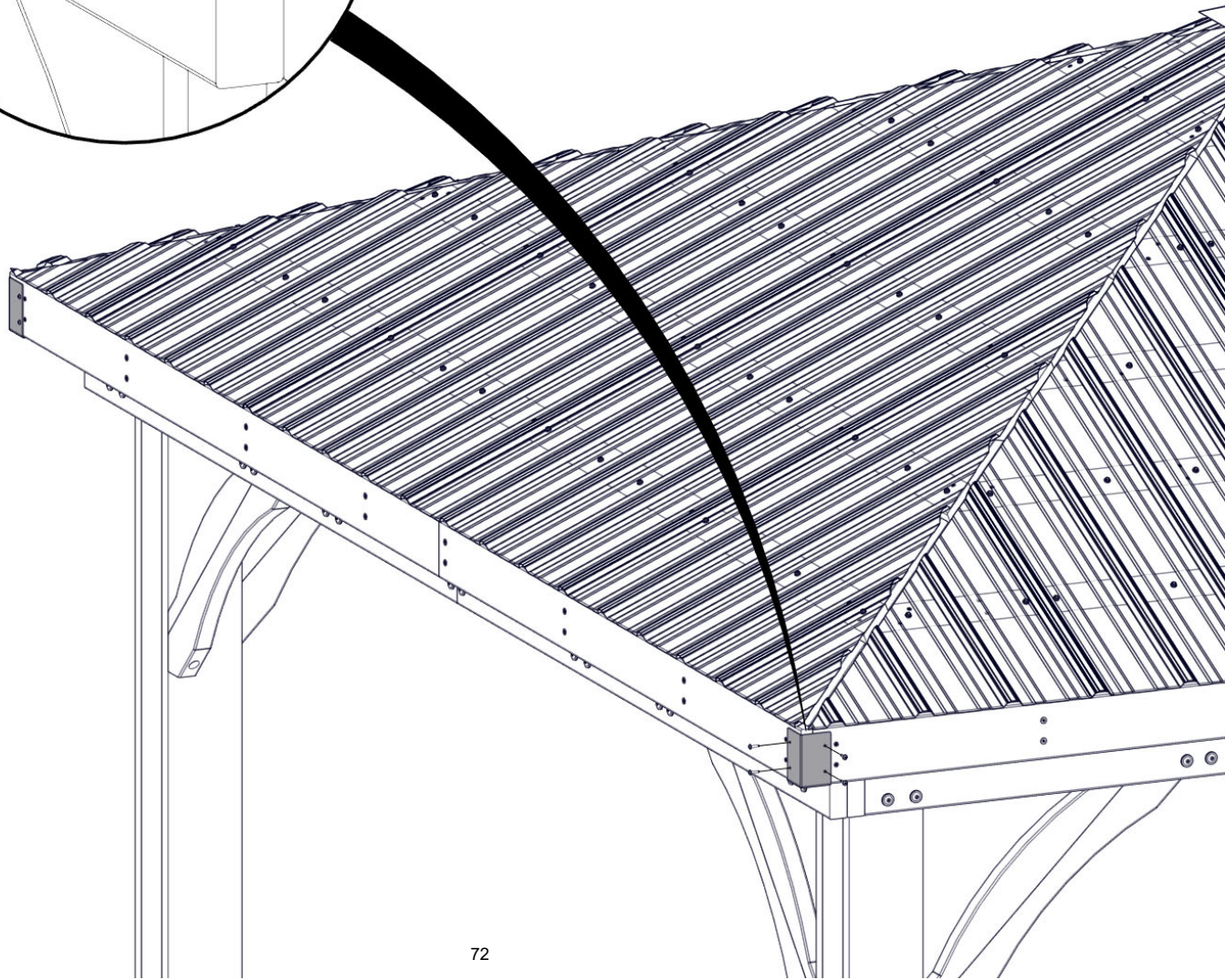
A4M01185
(4) CORNER BRACKET



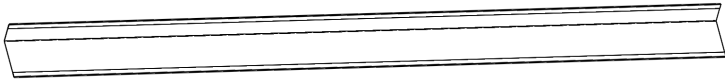
1185(x4)
CORNER BRACKET

REPEAT ON ALL FOUR CORNERS

392 (x4)
SCREW - 3/4"



STEP 41 - 12FT ROOF TRIM

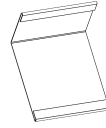


A4M01257 | EDGE TRIM LONG
(4)

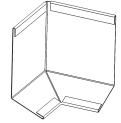


A4M01203 | EDGE TRIM SHORT
(2)

Qty	PART NUMBER	DESCRIPTION
26	H100759	SCREW SELF TAPPING 1/4x1

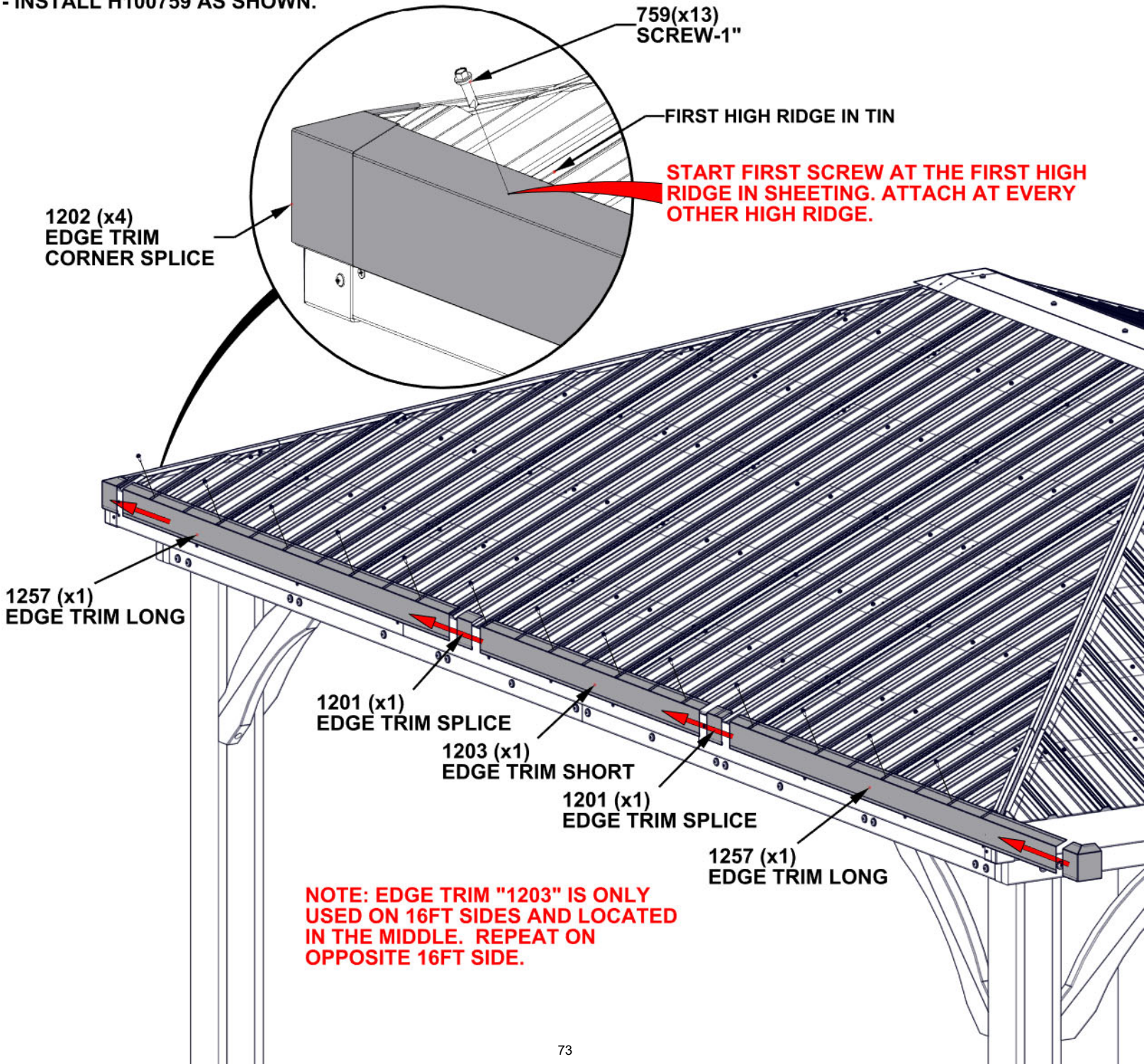


A4M01201 | EDGE TRIM SPLICE
(4)



A4M01202 | EDGE TRIM CORNER SPLICE
(4)

- TIPS:**
- START ON THE LEFT SIDE OF A 16FT PANEL.
 - SLIDE EDGE TRIM PIECES TOGETHER AS SHOWN BELOW.
 - MAKE SURE ALL PANELS ARE COVERED BEFORE INSTALLING SCREWS.
 - INSTALL H100759 AS SHOWN.

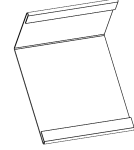


STEP 42 - 12FT ROOF TRIM

Qty	PART NUMBER	DESCRIPTION
20	H100759	SCREW SELF TAPPING 1/4x1



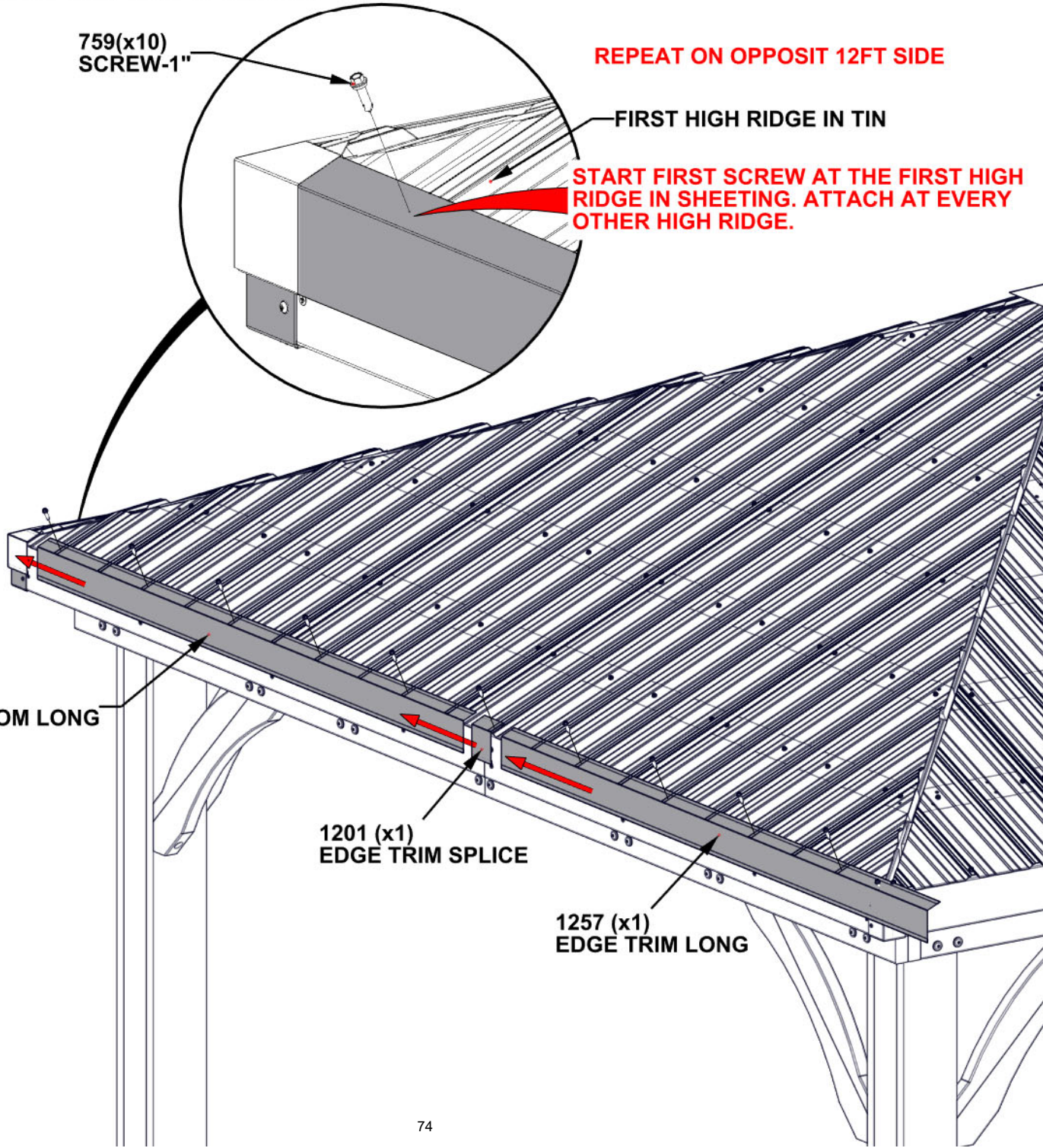
A4M01257 | EDGE TRIM LONG
(4)



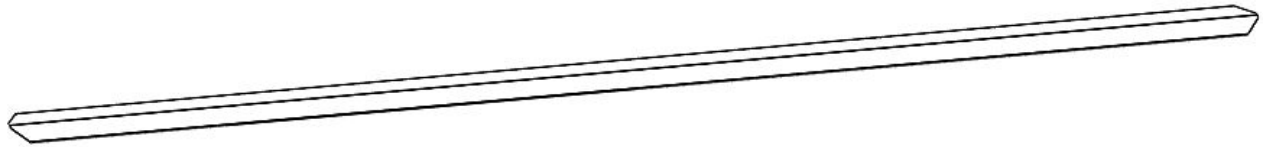
A4M01201 | EDGE TRIM SPLICE
(2)

TIPS"

- START ON THE LEFT SIDE OF A 12FT PANEL.
- SLIDE EDGE TRIM PIECES TOGETHER AS SHOWN BELOW.
- MAKE SURE ALL PANELS ARE COVERED BEFORE INSTALLING SCREWS.
- INSTALL H100759 SCREWS AS SHOWN.



STEP 43 - ROOF ASSEMBLY

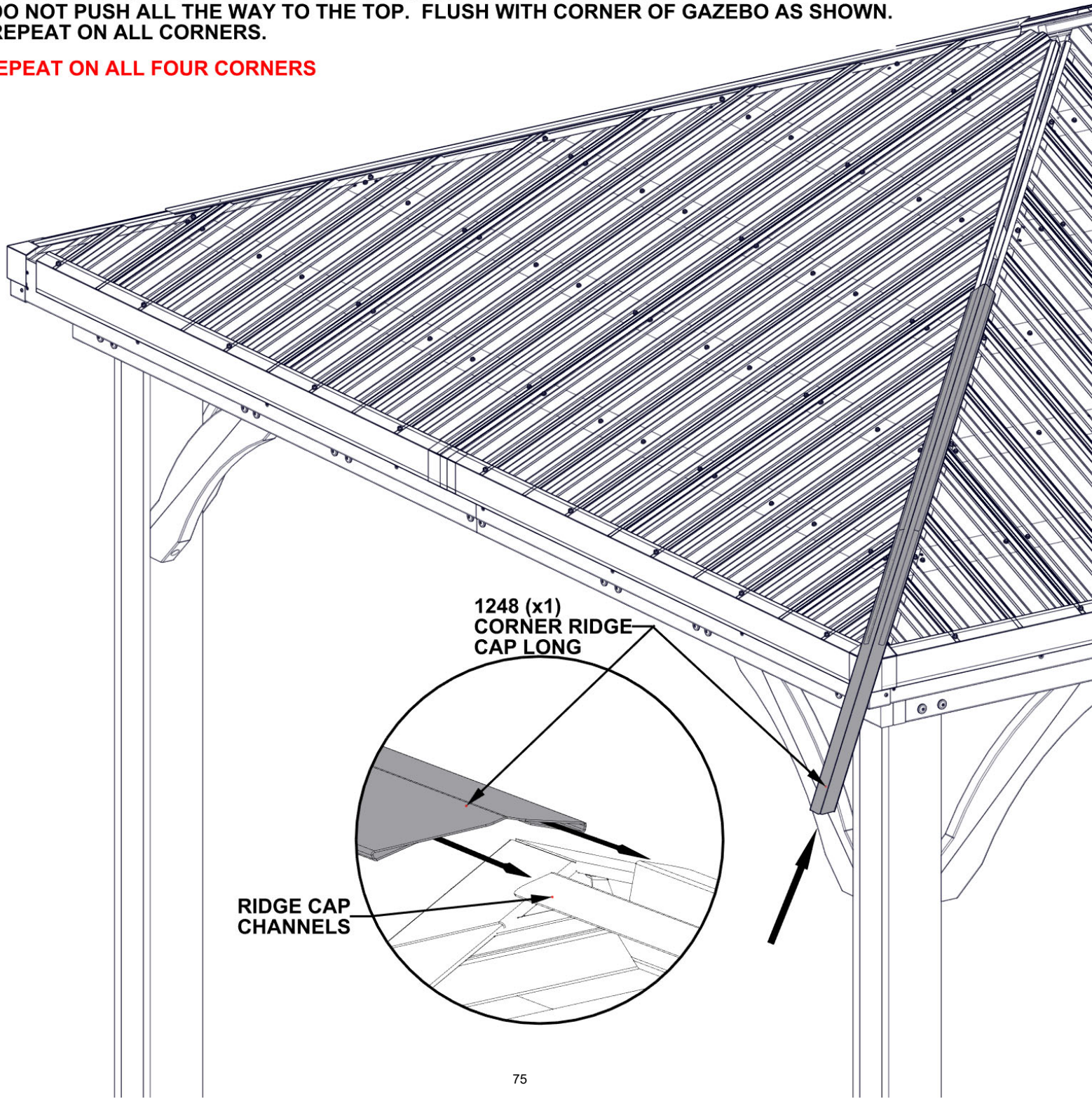


A4M01248 | CORNER RIDGE CAP LONG
(4)

TIPS:

- SLIDE CORNER RIDGE CAP ONTO ROOF RIDGE CAP CHANNEL AS SHOWN.
- DO NOT PUSH ALL THE WAY TO THE TOP. FLUSH WITH CORNER OF GAZEBO AS SHOWN.
- REPEAT ON ALL CORNERS.

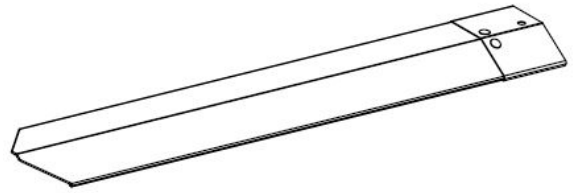
REPEAT ON ALL FOUR CORNERS



1248 (x1)
CORNER RIDGE
CAP LONG

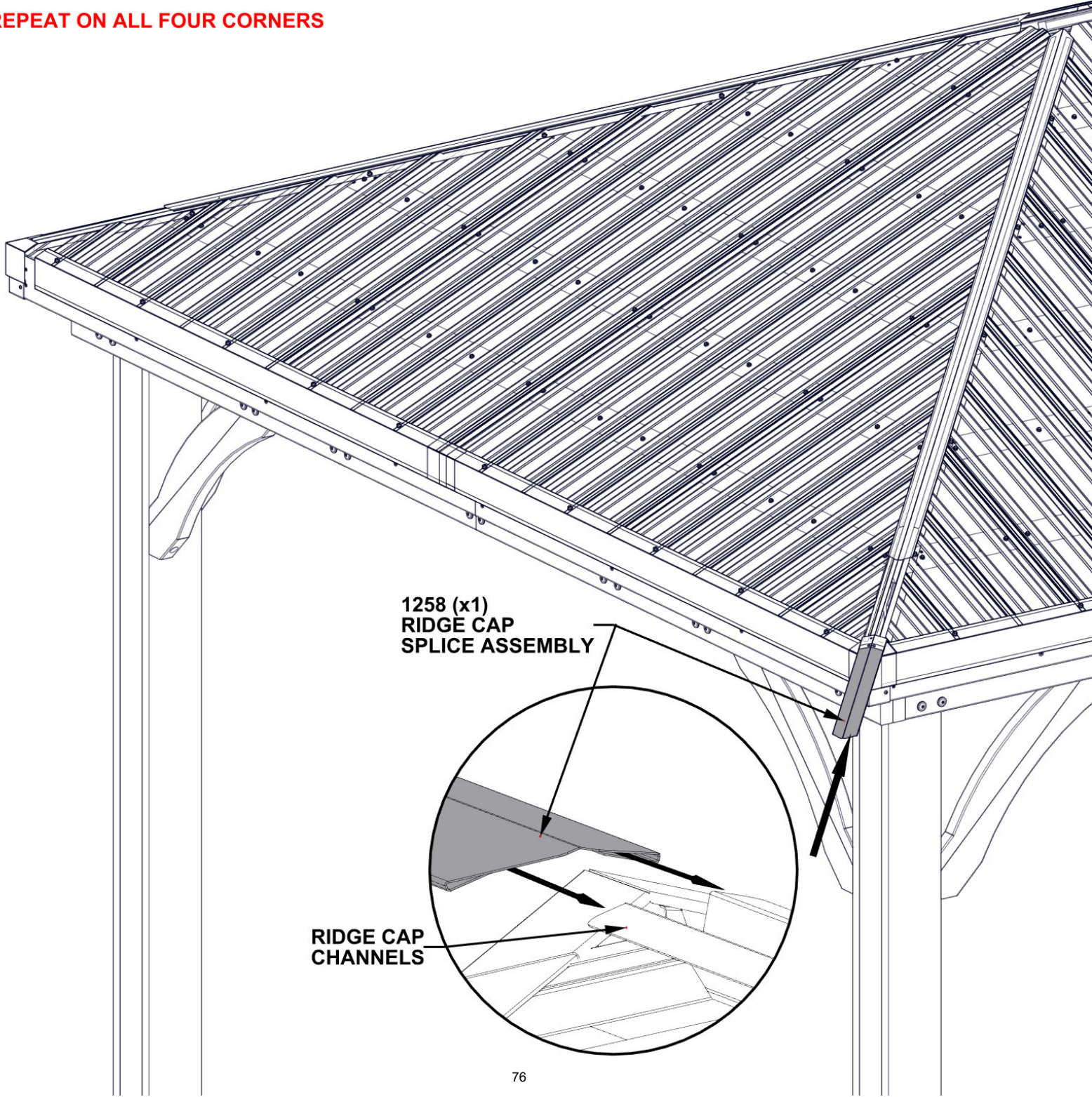
RIDGE CAP
CHANNELS

STEP 44 - ROOF ASSEMBLY



A4M01258 | RIDGE CAP SPLICE ASSEMBLY
(4)

REPEAT ON ALL FOUR CORNERS



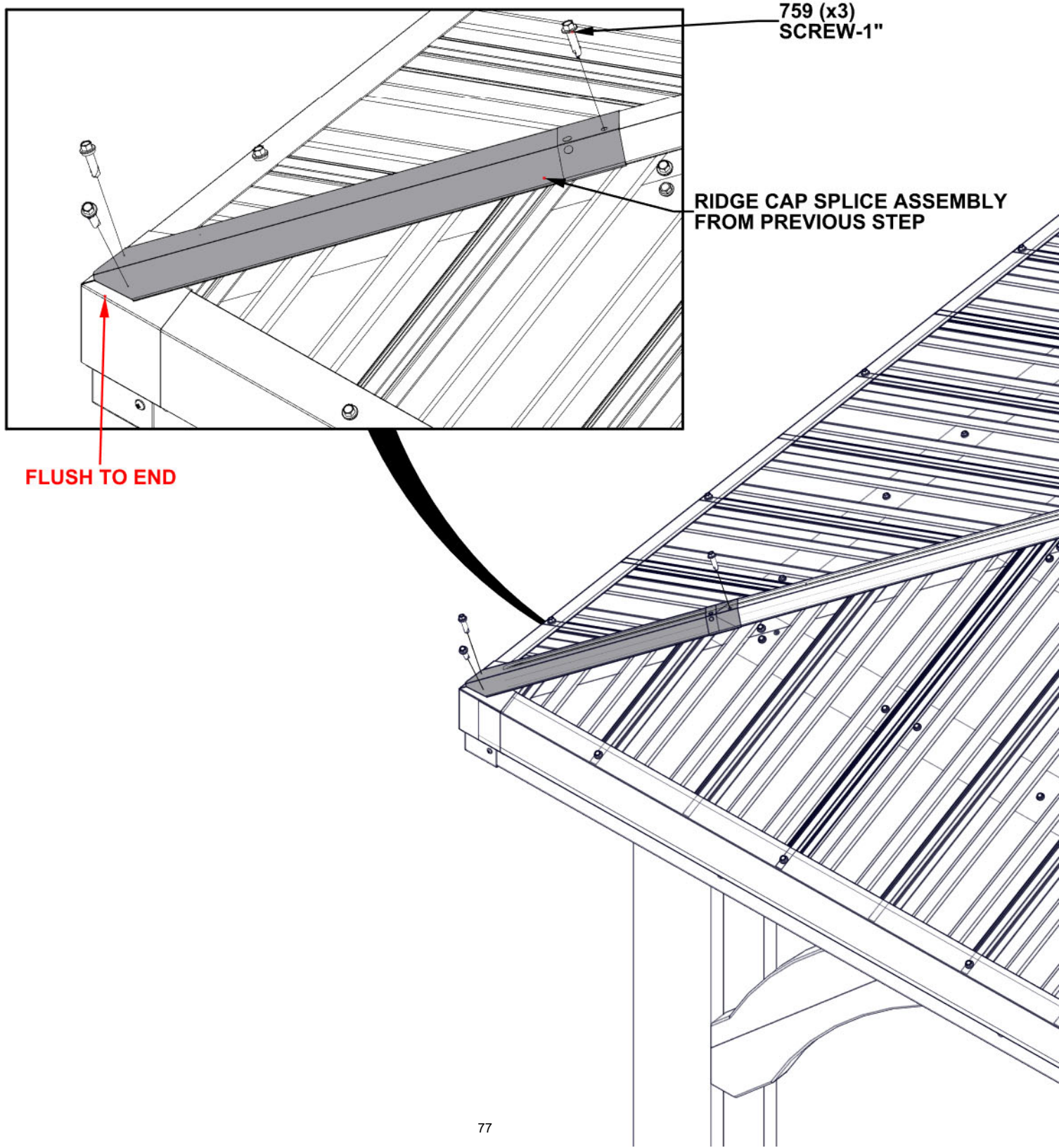
1258 (x1)
RIDGE CAP
SPLICE ASSEMBLY

RIDGE CAP
CHANNELS

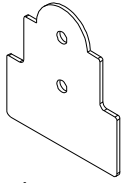
STEP 45 - ROOF ASSEMBLY

Qty	PART NUMBER	DESCRIPTION
12	H100759	SCREW SELF TAPPING 1/4x1

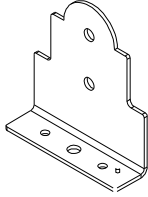
REPEAT ON ALL FOUR CORNERS



STEP 46 - GAZEBO ASSEMBLY



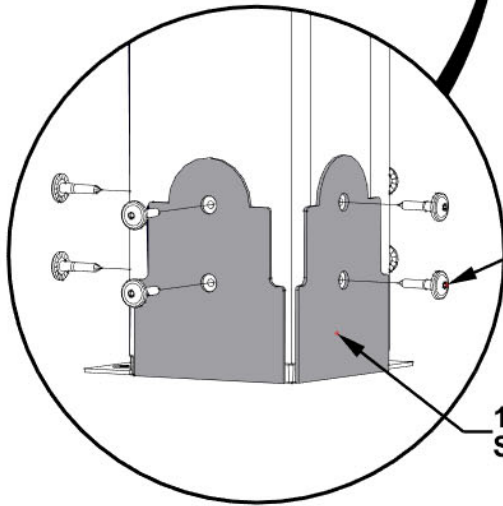
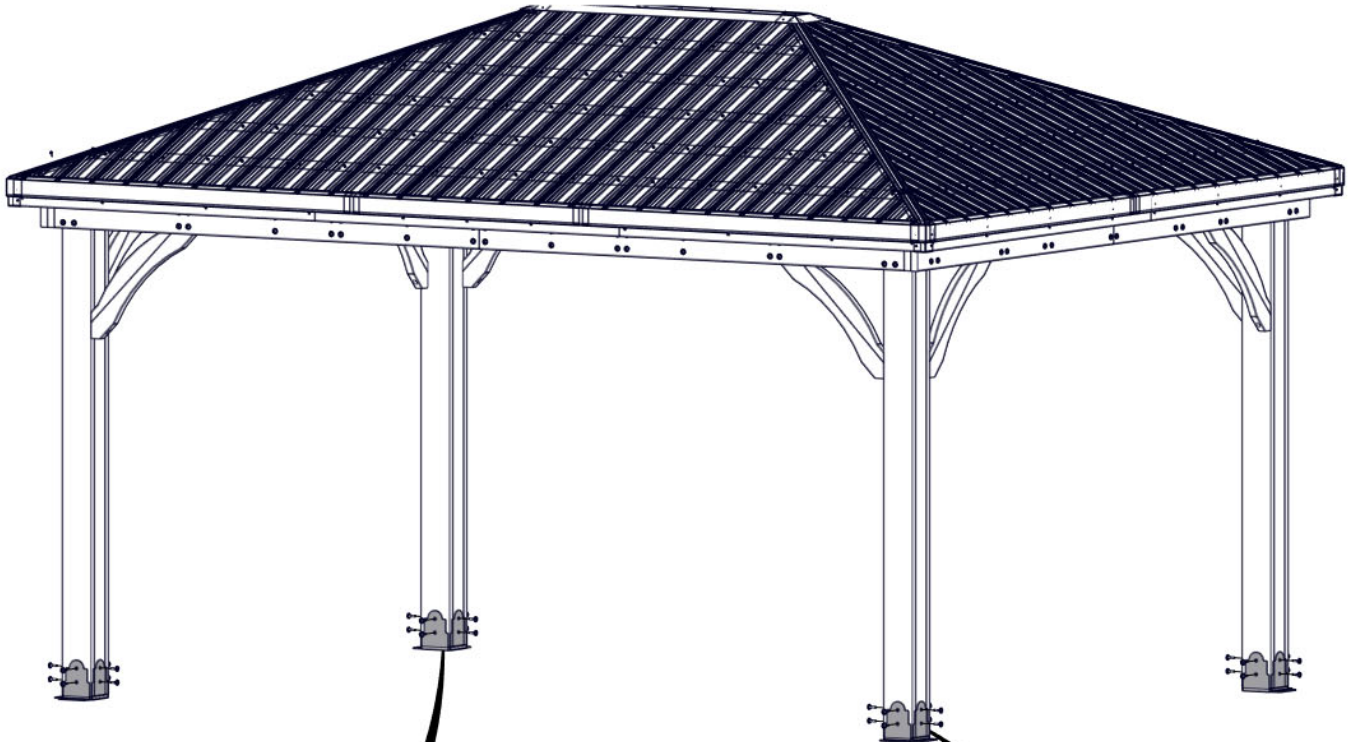
A4M01236
(8) STEEL POST PLATE



A4M01235
(8) STEEL POST ANCHORING PLATE

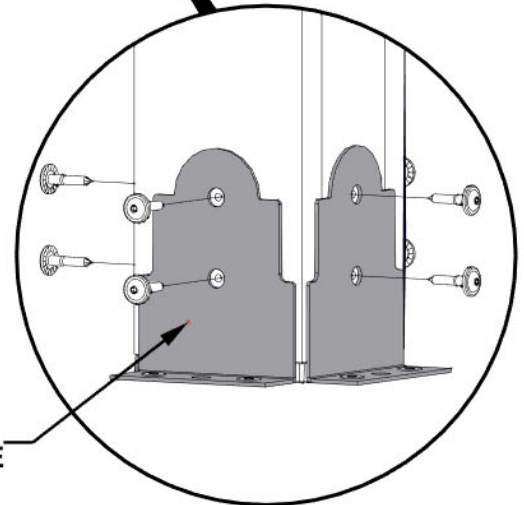
Qty	PART NUMBER	DESCRIPTION
32	H100471	LAG SCREW WH 5/16x1 1/2 BLK

- TIPS:**
- ALL 950 STEEL POST PLATES GO ON THE INSIDES OF THE POST AS SHOWN.
 - ALL 949 STEEL POST ANCHORING PLATES GO ON THE OUTSIDES OF THE POST AS SHOWN



471 (x32)
LAG SCREW - 1 1/2"

1236 (x8)
STEEL POST PLATE



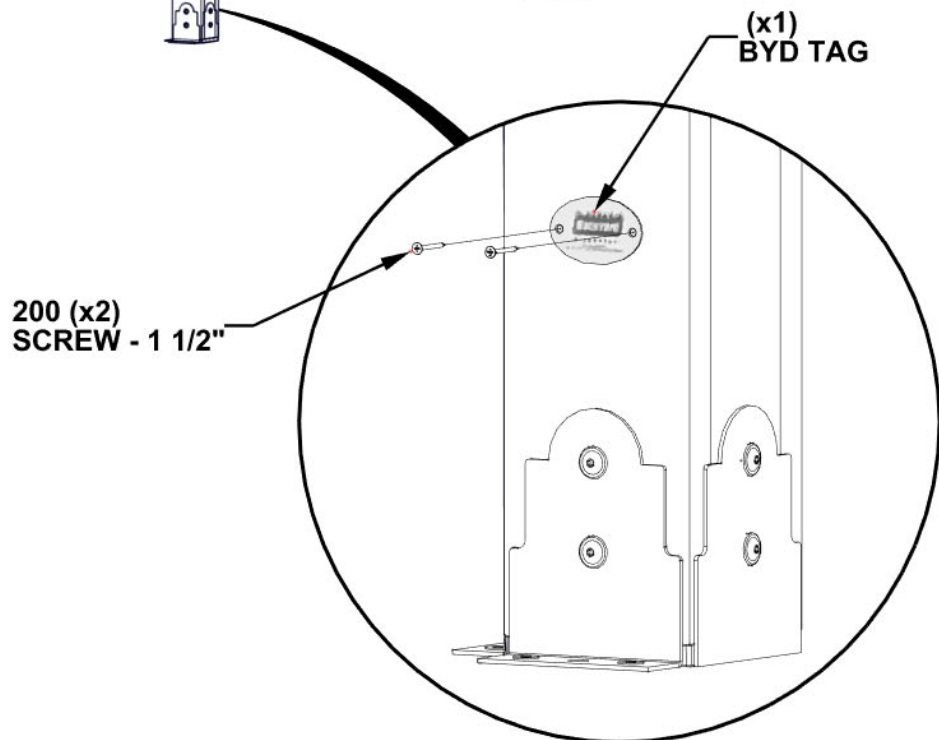
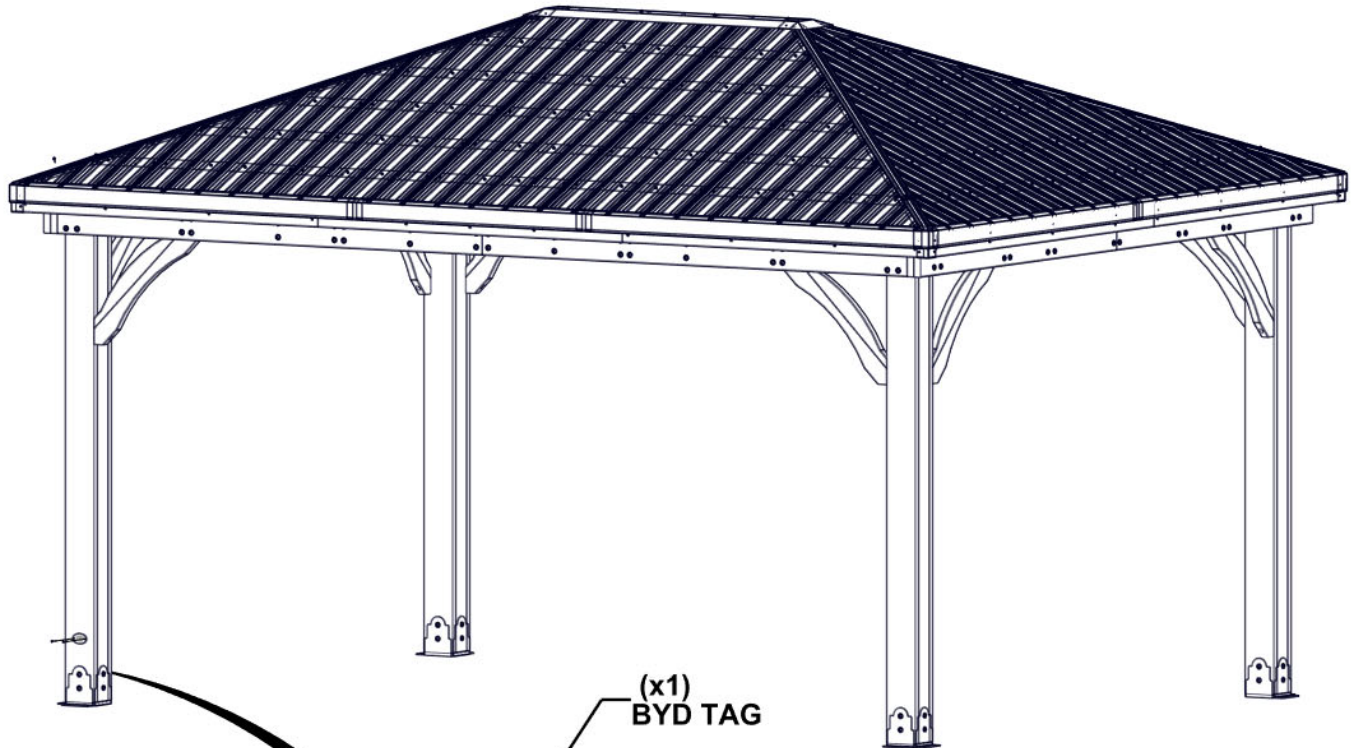
1235 (x8)
STEEL POST ANCHOR PLATE

STEP 47 - GAZEBO ASSEMBLY

Qty	PART NUMBER	DESCRIPTION
2	H100200	SCREW PFH 8x1 1/2 BLK



A100241 | BYD ID TAG
(1) | (SMALL)
WITHOUT AGES

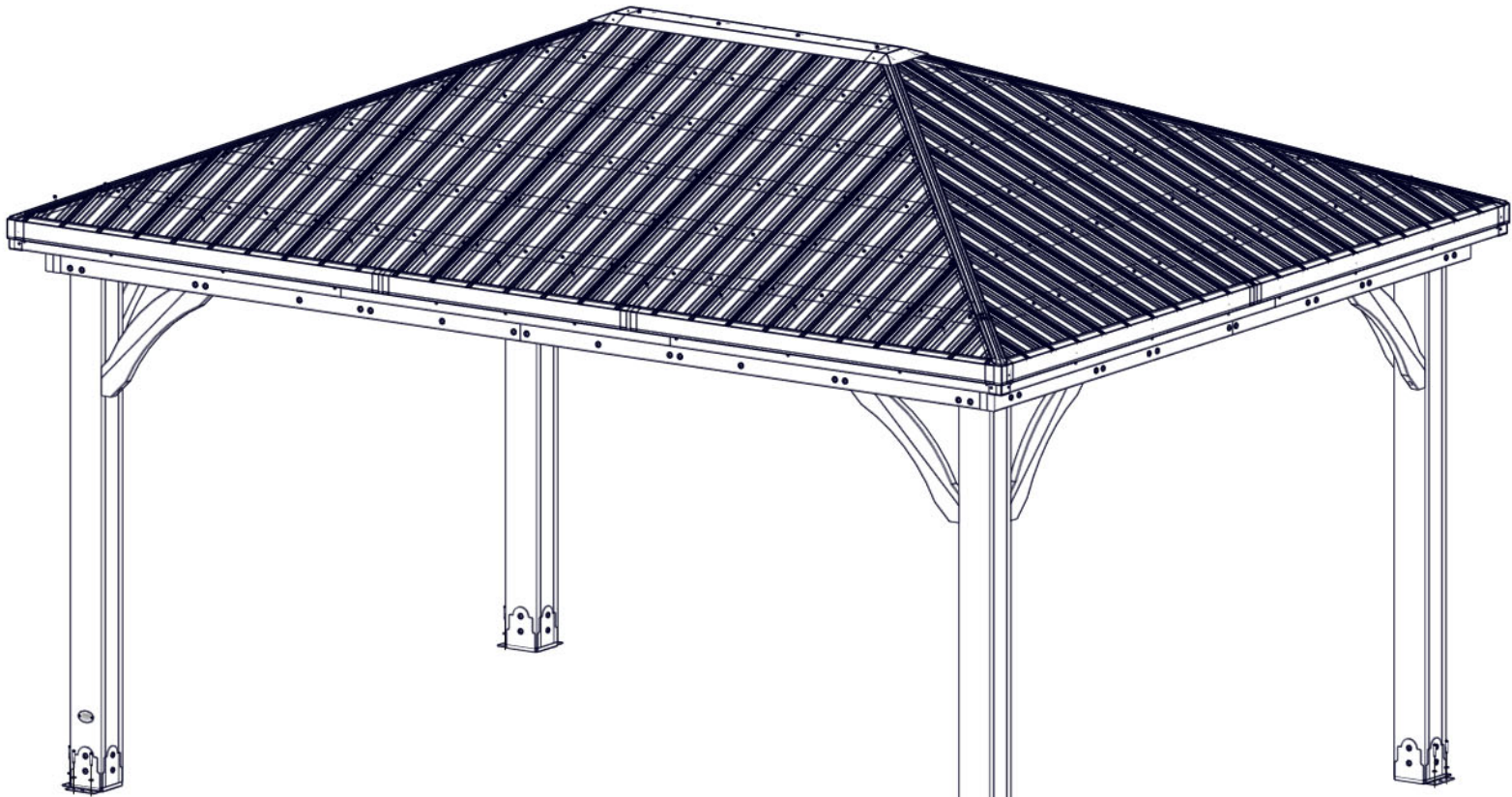


(x1)
BYD TAG

200 (x2)
SCREW - 1 1/2"

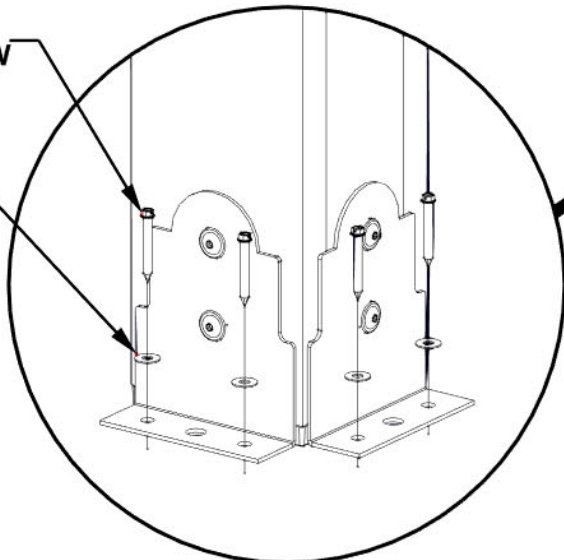
STEP 48 - GAZEBO ASSEMBLY

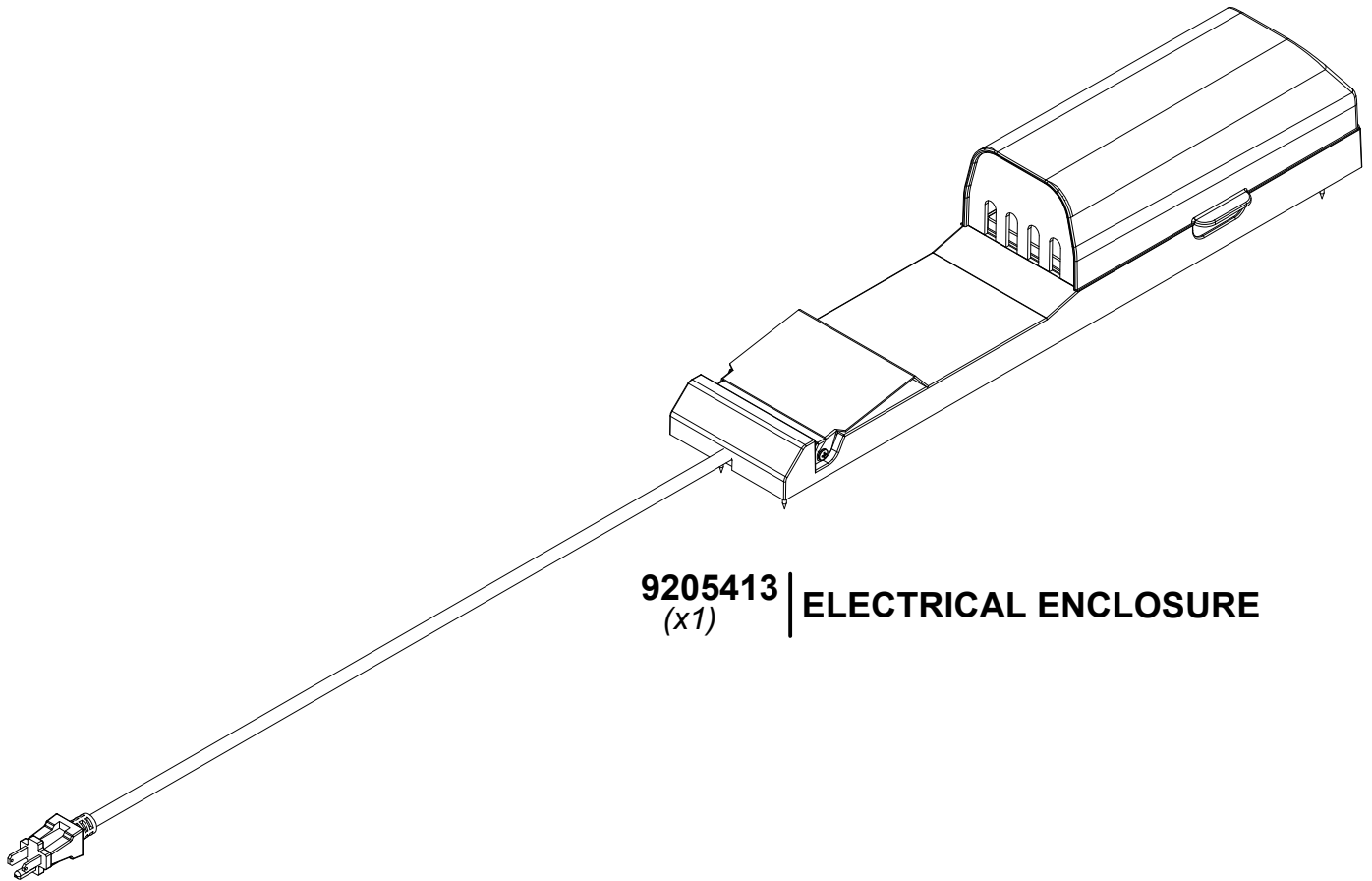
Qty	PART NUMBER	DESCRIPTION
16	H100120	CONCRETE ANCHOR 1/4"x2"
16	H100630	WASHER FLAT 8x19 BLK



120 (x16)
CONCRETE SCREW

630 (x16)
WASHER-8x19





9205413 | **ELECTRICAL ENCLOSURE**
(x1)

FOR POWERPORT INSTALLATION REFER TO ASSEMBLY INSTRUCTIONS THAT COME PACKAGED WITH THE POWERPORT KIT. INSTALL ON ANY POST THAT IS DESIRED. FOLLOW DIRECTIONS FOR PROPER INSTALLATION.